

JVC

SERVICE MANUAL

COLOR TELEVISION

BASIC CHASSIS

FE2

AV-27D104/RA, AV-27D104/SA,
AV-27D304/RA, AV-27D304/SA,
AV-27430/RA, AV-27430/SA,
AV-27432/RA, AV-27432/SA

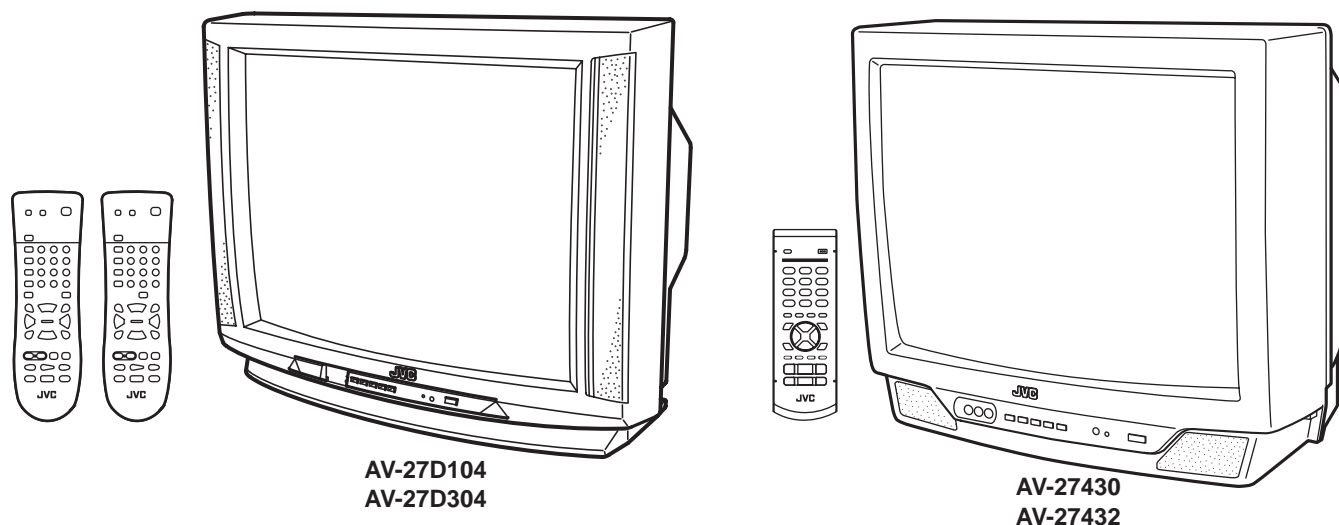


TABLE OF CONTENTS

1	PRECAUTIONS	1-3
2	SPECIFIC SERVICE INSTRUCTIONS	1-4
3	ADJUSTMENT	1-12

SPECIFICATION

Items	Contents	
	AV-27D104 / AV-27D304	AV-27430 / AV-27432
Dimensions (W x H x D)	75.2cm x 59.0cm x 53.1cm (29-5/8" x 23-1/4" x 23")	65.4cm x 59.3cm x 49.4cm (25-3/4" x 23-3/8" x 19-1/2")
Mass	32.2kg (70.8 lbs)	31.1kg (68.5 lbs)
TV RF System	CCIR(M)	
Color Sound System	NTSC, BTSC System (Multi Channel Sound)	
TV Receiving Channels and Frequency	VL Band 02ch~06ch : 54MHz~88MHz VH Band 07ch~13ch : 174MHz~216MHz UHF Band 14ch~69ch : 470MHz~806MHz	
CATV Receiving Channels and Frequency	54MHz~804MHz Low Band 02~06, A-8 by 02~06&01 High Band 07~13 by 07~13 Mid Band A~1 by 14~22 Super Band J~W by 23~36 Hyper Band W+1~W+28 by 37~64 Ultra Band W+29~W+84 by 65~125 Sub Mid Band A8, A4~A1 by 01, 96~99	
TV/CATV Total Channel	180 Channels	
Intermediate Frequency	Video IF Carrier 45.75MHz Sound IF Carrier 41.25MHz (4.5MHz)	
Color Sub Carrier	3.58MHz	
Power Input	120V AC, 60Hz	
Power Consumption	105W	
Picture Tube	27" (68cm) Measured diagonally H: 55.4cm x V: 41.8cm	
High Voltage	28kV±1.3kV (at zero beam current)	
Speaker	5 x 9cm (2" x 3-1/2") Oval type x 2	
Audio Power Output	1.2W + 1.2W	
Video / Audio Input (1 / 2 / 3)	Video (1 / 3) 1V(p-p), 75ohm (RCA pin jack x 2) Audio (1 / 2 / 3) 500mV(rms) (-4dBs), high impedance (RCA pin jack x 8) S-Video (Input 1) Mini DIN 4pin x 1 Y : 1V(p-p) positive (negative sync provided, when terminated with 75ohm) C : 0.286V(p-p) (burst signal when terminated with 75ohm) Component (Input 2) RCA pin jack x 3 Y : 1V(p-p) positive (negative sync provided, when terminated with 75ohm) Pb/Pr : 0.7V(p-p) 75ohm	
Audio Output (Variable)	More then 0~1550mVrms (+4dBs) Low impedance (400Hz when modulated 100%) (RCA pin jack)	
Antenna terminal (VHF/UHF)	F-type connector, 75ohm	
Remote Control Unit	RM-C1253G [AV-27D304] RM-C1255G [AV-27D104] (AA battery x 2 or Lithium cell battery x 1)	RM-C203 (AA battery x 2 or Lithium cell battery x 1)

Design & specifications are subject to change without notice.

SECTION 1 PRECAUTIONS

1.1 SAFETY PRECAUTIONS

- (1) The design of this product contains special hardware, many circuits and components specially for safety purposes. For continued protection, no changes should be made to the original design unless authorized in writing by the manufacturer. Replacement parts must be identical to those used in the original circuits. Service should be performed by qualified personnel only.
- (2) Alterations of the design or circuitry of the products should not be made. Any design alterations or additions will void the manufacturer's warranty and will further relieve the manufacturer of responsibility for personal injury or property damage resulting therefrom.
- (3) Many electrical and mechanical parts in the products have special safety-related characteristics. These characteristics are often not evident from visual inspection nor can the protection afforded by them necessarily be obtained by using replacement components rated for higher voltage, wattage, etc. Replacement parts that have these special safety characteristics are identified in the parts list of Service manual. **Electrical components having such features are identified by shading on the schematics and by (Δ) on the parts list in Service manual.** The use of a substitute replacement which does not have the same safety characteristics as the recommended replacement part shown in the parts list of Service manual may cause shock, fire, or other hazards.
- (4) **Use isolation transformer when hot chassis.**
The chassis and any sub-chassis contained in some products are connected to one side of the AC power line. An isolation transformer of adequate capacity should be inserted between the product and the AC power supply point while performing any service on some products when the HOT chassis is exposed.
- (5) **Don't short between the LIVE side ground and ISOLATED (NEUTRAL) side ground or EARTH side ground when repairing.** Some model's power circuit is partly different in the GND. The difference of the GND is shown by the LIVE : (⊥) side GND, the ISOLATED(NEUTRAL) : (↷) side GND and EARTH : (⊕) side GND. Don't short between the LIVE side GND and ISOLATED(NEUTRAL) side GND or EARTH side GND and never measure with a measuring apparatus (oscilloscope etc.) the LIVE side GND and ISOLATED(NEUTRAL) side GND or EARTH side GND at the same time.
If above note will not be kept, a fuse or any parts will be broken.
- (6) The high voltage applied to the picture tube must conform with that specified in Service manual. Excessive high voltage can cause an increase in X-Ray emission, arcing and possible component damage, therefore operation under excessive high voltage conditions should be kept to a minimum, or should be prevented. If severe arcing occurs, remove the AC power immediately and determine the cause by visual inspection (incorrect installation, cracked or melted high voltage harness, poor soldering, etc.). To maintain the proper minimum level of soft X-Ray emission, components in the high voltage circuitry including the picture tube must be the exact replacements or alternatives approved by the manufacturer of the complete product.
- (7) If any repair has been made to the chassis, it is recommended that the B1 setting should be checked or adjusted (See ADJUSTMENT OF B1 POWER SUPPLY).
- (8) Do not check high voltage by drawing an arc. Use a high voltage meter or a high voltage probe with a VTVM. Discharge the picture tube before attempting meter connection, by connecting a clip lead to the ground frame and connecting the other end of the lead through a 10kΩ 2W resistor to the anode button.
- (9) When service is required, observe the original lead dress. Extra precaution should be given to assure correct lead dress in the high voltage circuit area. Where a short circuit has occurred, those components that indicate evidence of overheating should be replaced. Always use the manufacturer's replacement components.

(10) Isolation Check

(Safety for Electrical Shock Hazard)After re-assembling the product, always perform an isolation check on the exposed metal parts of the cabinet (antenna terminals, video/audio input and output terminals, Control knobs, metal cabinet, screwheads, earphone jack, control shafts, etc.) to be sure the product is safe to operate without danger of electrical shock.

a) Dielectric Strength Test

The isolation between the AC primary circuit and all metal parts exposed to the user, particularly any exposed metal part having a return path to the chassis should withstand a voltage of 1100V AC (r.m.s.) for a period of one second.

(... Withstand a voltage of 1100V AC (r.m.s.) to an appliance rated up to 120V, and 3000V AC (r.m.s.) to an appliance rated 200V or more, for a period of one second.)

This method of test requires test equipment not generally found in the service trade.

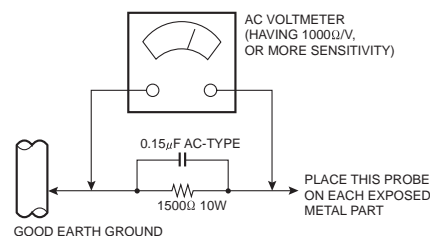
b) Leakage Current Check

Plug the AC line cord directly into the AC outlet (do not use a line isolation transformer during this check.). Using a "Leakage Current Tester", measure the leakage current from each exposed metal part of the cabinet, particularly any exposed metal part having a return path to the chassis, to a known good earth ground (water pipe, etc.). Any leakage current must not exceed 0.5mA AC (r.m.s.). However, in tropical area, this must not exceed 0.2mA AC (r.m.s.).

• Alternate Check Method

Plug the AC line cord directly into the AC outlet (do not use a line isolation transformer during this check.). Use an AC voltmeter having 1000 ohms per volt or more sensitivity in the following manner. Connect a 1500ohm 10W resistor paralleled by a 0.15μF AC-type capacitor between an exposed metal part and a known good earth ground (water pipe, etc.). Measure the AC voltage across the resistor with the AC voltmeter. Move the resistor connection to each exposed metal part, particularly any exposed metal part having a return path to the chassis, and measure the AC voltage across the resistor. Now, reverse the plug in the AC outlet and repeat each measurement. Any voltage measured must not exceed 0.75V AC (r.m.s.). This corresponds to 0.5mA AC (r.m.s.).

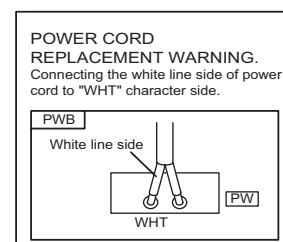
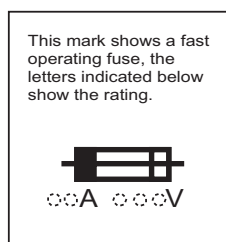
However, in tropical area, this must not exceed 0.3V AC (r.m.s.). This corresponds to 0.2mA AC (r.m.s.).



(11) High voltage hold down circuit check.

After repair of the high voltage hold down circuit, this circuit shall be checked to operate correctly.

See item "How to check the high voltage hold down circuit".



SECTION 2 SPECIFIC SERVICE INSTRUCTIONS

2.1 FEATURES

Function	AV-27D104	AV-27D304	AV-27430	AV-27432	Description
Tele-Text (Closed-Caption)	used	used	used	used	Title TELE-TEXT broadcast of C1~C4 and T1~T4 formula is receivable.
Digital Comb Filter	used	used	used	used	By the three-line digital comb filter, the refreshed image can be seen.
Video Status (THEATER)	used	used	-	-	Expression of a favorite screen can be chosen by the VIDEO STATUS function (STANDARD-DYNAMIC-THEATER-GAME).
Video Status (SPORTS)	-	-	used	used	Expression of a favorite screen can be chosen by the VIDEO STATUS function (STANDARD-DYNAMIC-SPORTS-GAME).
GAME button	used	-	used	used	Sets automatically the proper conditions for playing video game (previously connected in the front input).
Component input	used	used	used	used	Since the component signal input terminal is equipped, it reappears direct without deteriorating the signal from DVD.
BBE	-	used	-	-	BBE high definition audio adds natural, clear and extraordinary sound quality to any program.
V-CHIP	used	used	used	used	Since the V chip is built in, it can choose, view and listen to a healthy program.
Hyper-Surround	used	used	-	-	Creates a deep, three-dimensional sound effect by channeling the audio through the TV's front-firing speakers.
MTS Stereo	used	used	used	used	The voice multiplex function of the MTS system is built in. (MTS = Multi channel TV Sound system)
Return Plus	used	used	used	used	You program a specific channel to return to while scanning through the channels using the CH+ and CH- buttons.

2.2 MAIN DIFFERENCE LIST

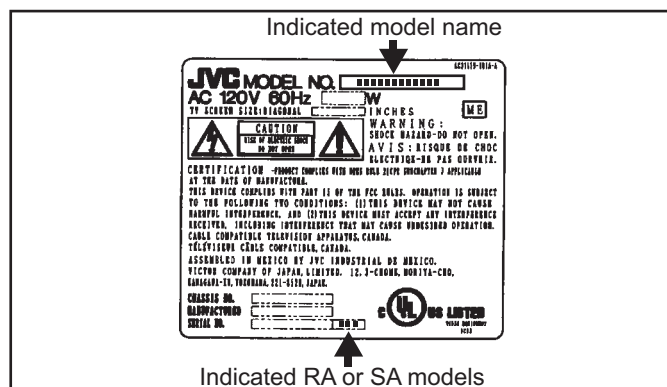
- The difference between AV-27D104/AV-27D304 series models and AV-27430/AV-27432 series models are mainly in the CABINET.
- The difference between RA models and SA models is in the PICTURE TUBE. As the result of the difference in PICTURE TUBE, the MAIN PWB also differ.
- The difference between AV-27D104 series models and AV-27D304 series models are in the CABINET color.
- The difference between AV-27430 series models and AV-27432 series models are in the CABINET color.

△	Part name	AV-27D104 /RA	AV-27D104 /SA	AV-27D304 /RA	AV-27D304 /SA
△	MAIN PWB	SFE-1026A-M2	SFE-1025A-M2	SFE-1022A-M2	SFE-1021A-M2
△	PICTURE TUBE (ITC)	A68ADT25X01	A68QDN891X001	A68ADT25X01	A68QDN891X001
△	FRONT CABINET	GQ10018-003A-A	GQ10018-003A-A	GQ10018-001B-A	GQ10018-001B-A
△	REAR COVER	GQ10017-001B-A	GQ10017-001B-A	GQ10017-001B-A	GQ10017-001B-A
	REMOTE CONTROL UNIT	RM-C1255G-1H	RM-C1255G-1H	RM-C1253G-1H	RM-C1253G-1H

△	Part name	AV-27430 /RA	AV-27430 /SA	AV-27432 /RA	AV-27432 /SA
△	MAIN PWB	SFE-1028A-M2	SFE-1027A-M2	SFE-1030A-M2	SFE-1029A-M2
△	PICTURE TUBE (ITC)	A68ADT25X01	A68QDN891X001	A68ADT25X01	A68QDN891X001
△	FRONT CABINET	LC10081-004B-A	LC10081-004B-A	LC10081-008A-A	LC10081-008A-A
△	REAR COVER	LC10082-005A-A	LC10082-005A-A	LC10082-003A-A	LC10082-003A-A
	REMOTE CONTROL UNIT	RM-C203-1C	RM-C203-1C	RM-C1255G-1H	RM-C1255G-1H

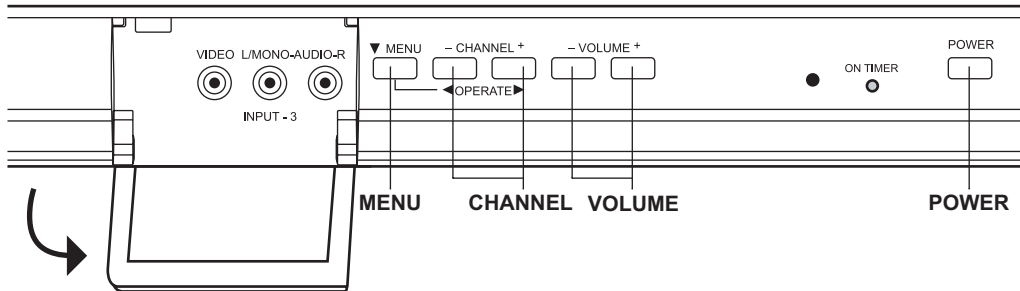
2.3 HOW TO IDENTIFY MODELS

How to recognize from the appearance of the model concerned is written right figure. Please distinguish from several contents on the printing label.

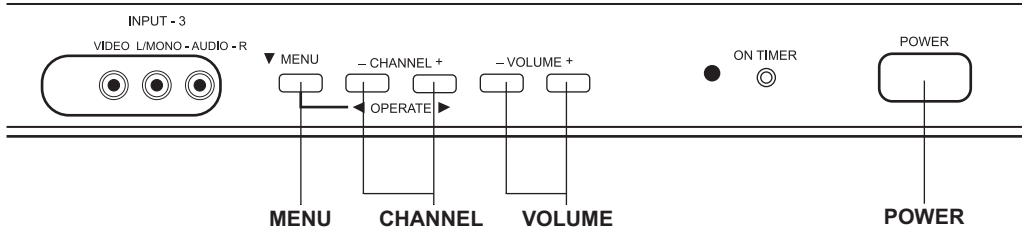


2.4 FUNCTIONS

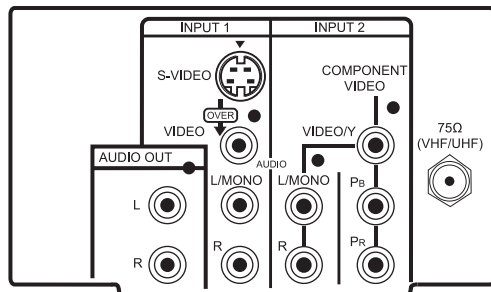
[FRONT PANEL]
<AV-27D104 / AV-27D304>



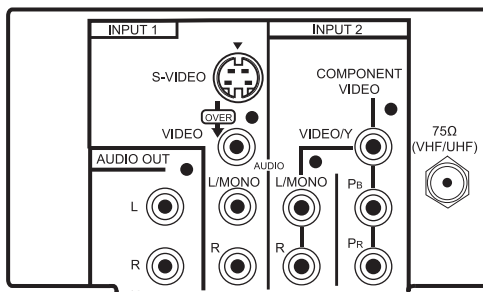
<AV-27430 / AV-27432>



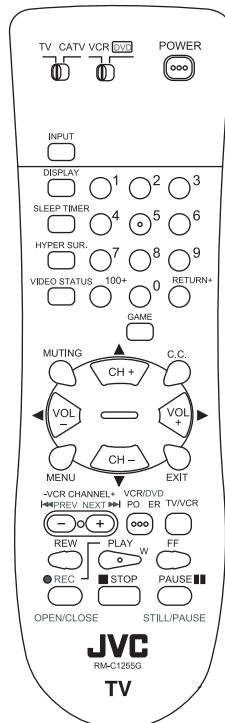
[REAR PANEL]
<AV-27D104 / AV-27D304>



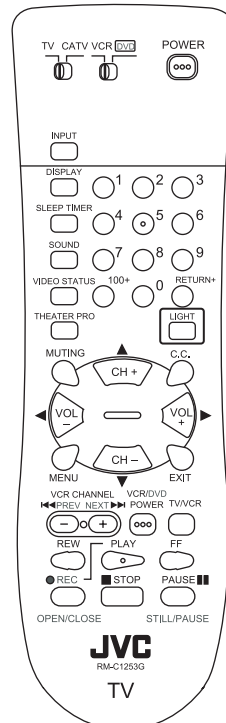
<AV-27430 / AV-27432>



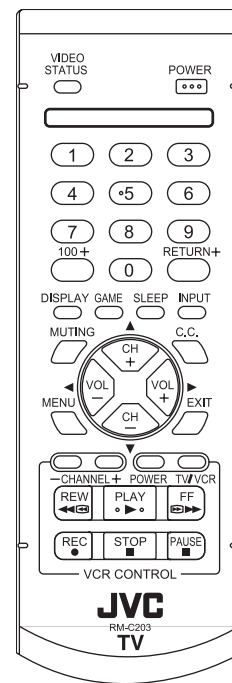
[REMOTE CONTROL UNIT]



AV-27D104 (RM-C1255G)



AV-27D304 (RM-C1253G)



AV-27430 / AV-27432 (RM-C203)

2.5 DISASSEMBLY PROCEDURE

2.5.1 REMOVING THE REAR COVER [AV-27D104 / AV-27D304]

- (1) Unplug the power plug.
- (2) Remove the 11 screws [A] (Fig.1).
- (3) Remove the 4 screws [B] (Fig.1).
- (4) Then remove the REAR COVER toward you.

2.5.2 REMOVING THE REAR COVER [AV-27430 / AV-27432]

- (1) Unplug the power plug.
- (2) Remove the 7 screws [A] (Fig.2).
- (3) Remove the 4 screws [B] (Fig.2).
- (4) Then remove the REAR COVER toward you.

2.5.3 REMOVING THE MAIN PWB

- Remove the REAR COVER.
 - (1) Raise this side of the MAIN PWB, and remove the PWB STOPPER [C] from the cabinet.
 - (2) Withdraw the MAIN PWB backward. (If necessary, remove the wire clamp, connectors etc.)

2.5.4 REMOVING THE SPEAKER [AV-27D104 / AV-27D304]

- Remove the REAR COVER.
 - (1) Remove the 4 screws [D], then remove the speaker (Fig.1).
 - (2) Follow the same steps when remove the other hand speaker.

2.5.5 REMOVING THE SPEAKER [AV-27430 / AV-27432]

- Remove the REAR COVER.
 - (1) Remove the 2 screws [D], then remove the speaker (Fig.2).
 - (2) Follow the same steps when remove the other hand speaker.

NOTE:

When removing the 2 screws [D] of the speaker, remove the lower side screw first, and then remove the upper one.

2.5.6 CHECKING THE PW BOARD

- (1) Pull out the MAIN PWB (refer to REMOVING THE MAIN PWB).
- (2) Erect the MAIN PWB vertically so that you can easily check the backside of the PW Board.

CAUTION:

- When erecting the chassis, be careful so that there will be no contacting with other PW Board.
- Before turning on power, make sure that the wire connector is properly connected.
- When conducting a check with power supplied, be sure to confirm that the CRT EARTH WIRE (BRAIDED ASS'Y) is connected to the CRT SOCKET PW board.

2.5.7 WIRE CLAMPING AND CABLE TYING

- (1) Be sure to clamp the wire.
- (2) Never remove the cable tie used for tying the wires together.
Should it be inadvertently removed, be sure to tie the wires with a new cable tie.

[AV-27D104 / AV-27D304]

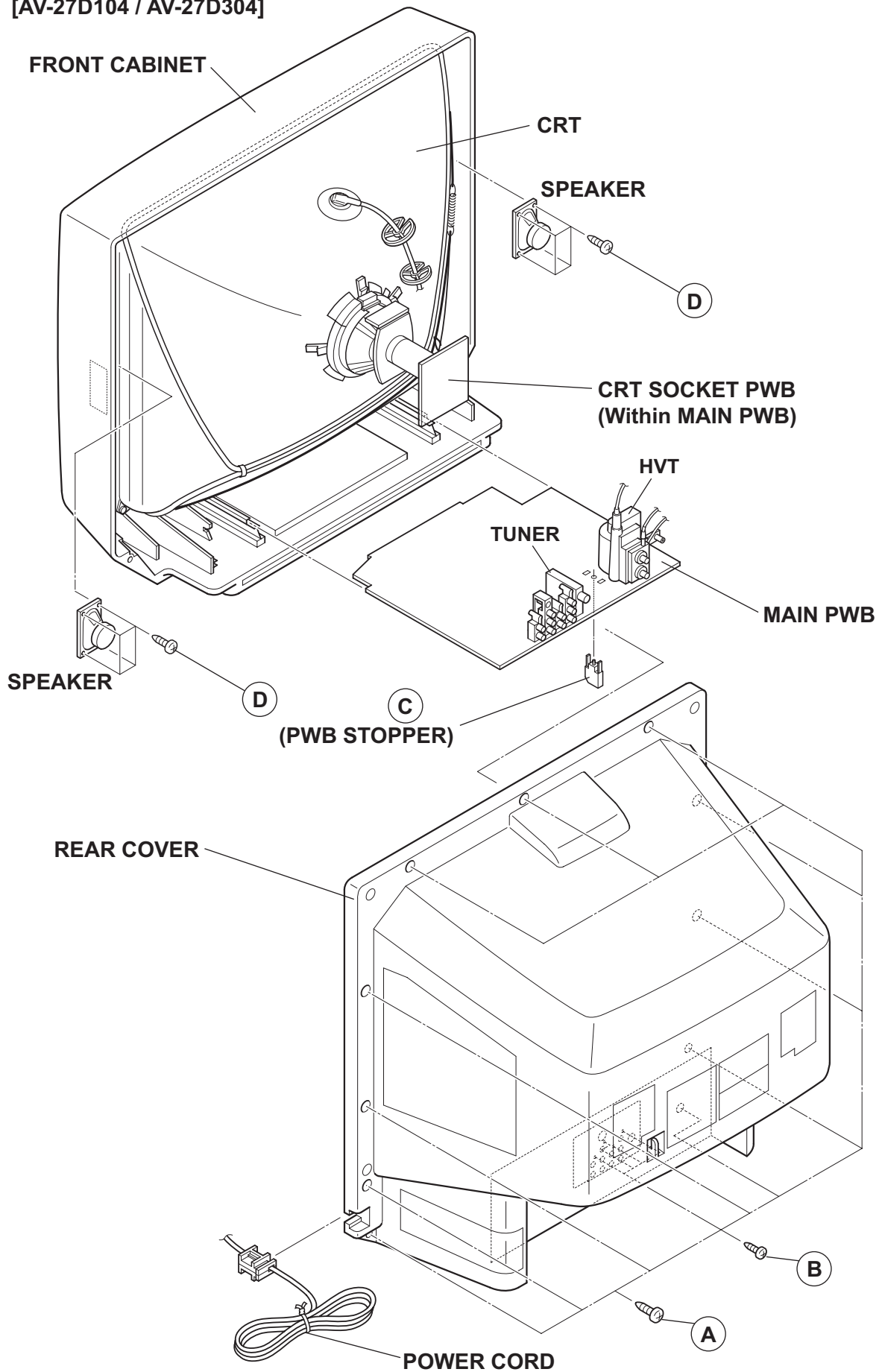


Fig.1

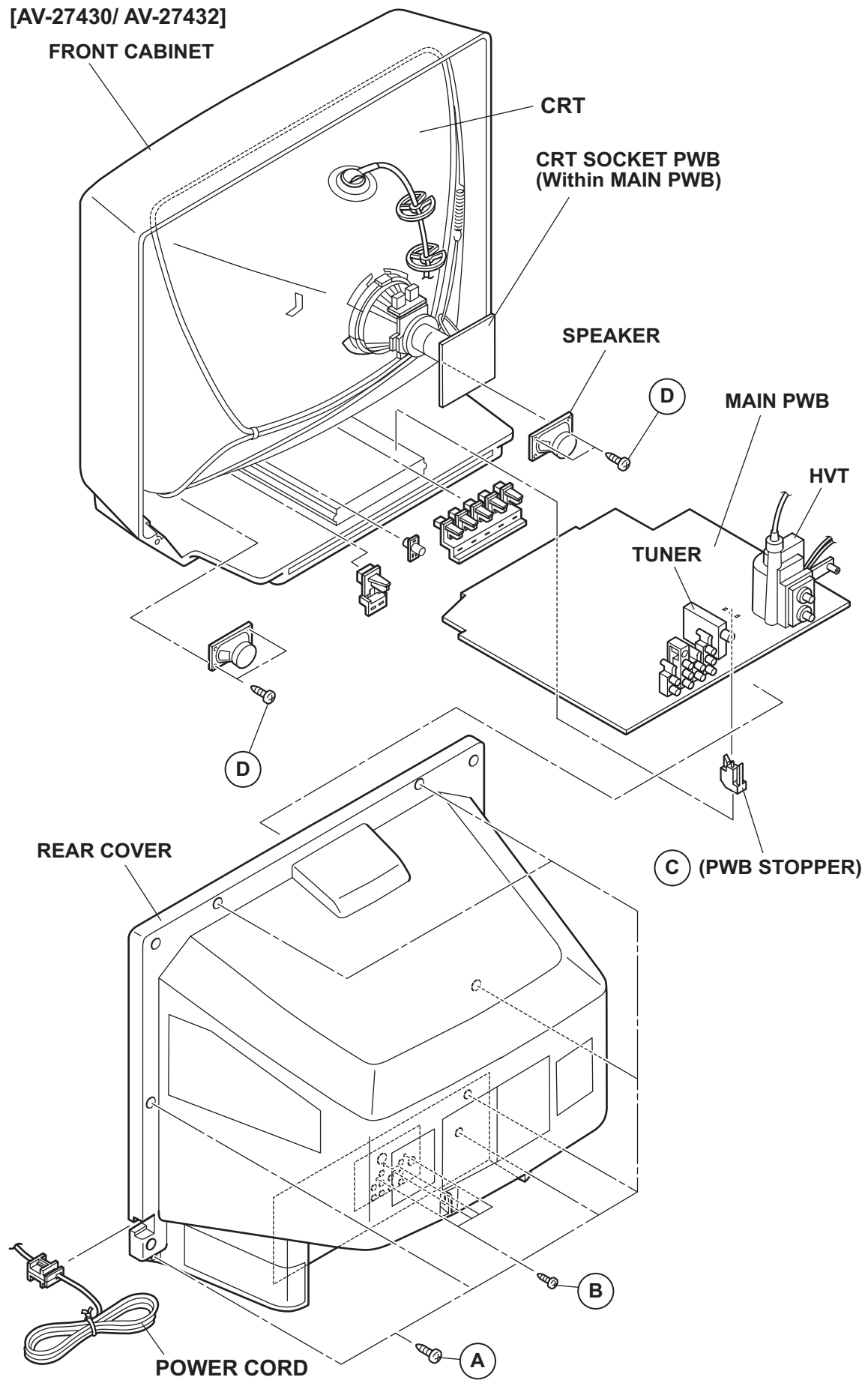


Fig.2

2.6 MEMORY IC REPLACEMENT

2.6.1 MEMORY IC

This TV use memory IC.

In the memory IC, there are memorized data for correctly operating the video and deflection circuits.

When replacing the memory IC, be sure to use IC written with the initial values of data.

2.6.2 PROCEDURE FOR REPLACING MEMORY IC

(1) Power off

Switch the power off and unplug the power cord from the outlet.

(2) Replace IC

Be sure to use a memory IC written with the initial setting data.

(3) Power on

Connect the power cord to the outlet and switch the power on.

(4) Setting of receive channels

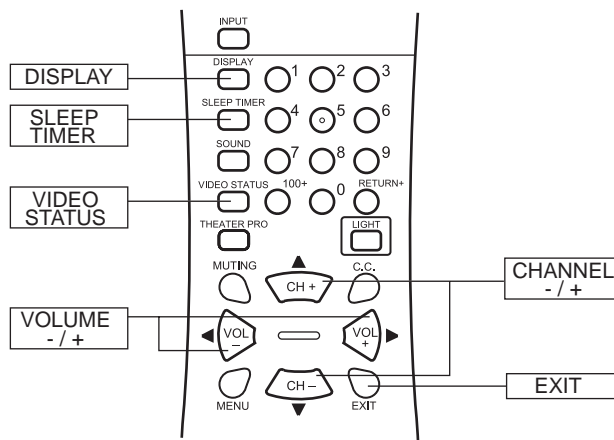
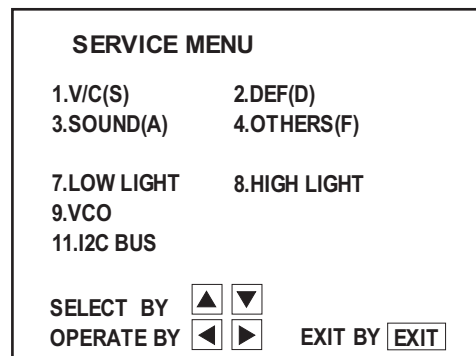
Set the receive channels. For setting, refer to the OPERATING INSTRUCTIONS.

(5) User settings

Check the user setting items according to "USER SETTING VALUES", and if these are different, set the correct value.

(6) SERVICE MENU setting

Verify what to set in the SERVICE MENU, and set whatever is necessary. Refer to the SERVICE ADJUSTMENT for setting.



NOTE:

Although this illustration of remote control unit is written about RM-C12543G(AV-27D304), it can use for operating the other model of remote control unit as same key assignment.

2.6.3 USER SETTING VALUES

Setting item	Setting value	Setting item	Setting value
REMOTE CONTROL UNIT KEY			
POWER	OFF	VIDEO STATUS	DYNAMIC
CHANNEL	CH-02	HYPER SURROUND	OFF [AV-27D104]
VOLUME	15	THEATER PRO	OFF [AV-27D304]
TV/VIDEO	TV	GAME	OFF [Except AV-27D304]
DISPLAY	OFF		
SETTING OF MENU			
PICTURE MODE		INITIAL SETUP MODE	
TINT	Center	LANGUAGE	ENG
COLOR	Center	FRONT PANEL LOCK	OFF
PICTURE	+8	V2 COMPONENT-IN	NO
BRIGHT	Center	AUTO SHUT OFF	OFF
DETAIL	+10	CLOSED CAPTION	OFF
NOISE MUTING	ON	AUTO TUNER SET UP	AIR
SOUND MODE		CHANNEL SUMMARY	Unnecessary to set
BASS	Center	V-CHIP	OFF
TREBLE	Center	SET LOCK CODE	(0000) Unnecessary to set
BALANCE	Center	XDS ID	ON
MTS	STEREO		
HYPER SURROUND	OFF [Except AV-27D104]		
CLOCK / TIMERS MODE			
SET CLOCK	Manual		
TIME ZONE	PACIFIC		
D.S.T.	OFF		
ON / OFF TIMER	OFF		

2.7 REPLACEMENT OF CHIP COMPONENT

2.7.1 CAUTIONS

- (1) Avoid heating for more than 3 seconds.
- (2) Do not rub the electrodes and the resist parts of the pattern.
- (3) When removing a chip part, melt the solder adequately.
- (4) Do not reuse a chip part after removing it.

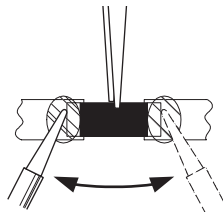
2.7.2 SOLDERING IRON

- (1) Use a high insulation soldering iron with a thin pointed end of it.
- (2) A 30w soldering iron is recommended for easily removing parts.

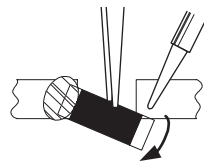
2.7.3 REPLACEMENT STEPS

1. How to remove Chip parts [Resistors, capacitors, etc.]

- (1) As shown in the figure, push the part with tweezers and alternately melt the solder at each end.



- (2) Shift with the tweezers and remove the chip part.

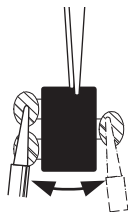


[Transistors, diodes, variable resistors, etc.]

- (1) Apply extra solder to each lead.



- (2) As shown in the figure, push the part with tweezers and alternately melt the solder at each lead. Shift and remove the chip part.

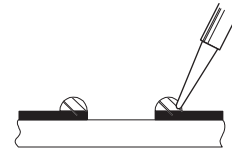


Note :

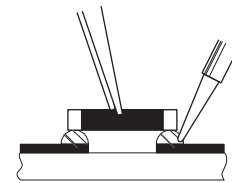
After removing the part, remove remaining solder from the pattern.

2. How to install Chip parts [Resistors, capacitors, etc.]

- (1) Apply solder to the pattern as indicated in the figure.

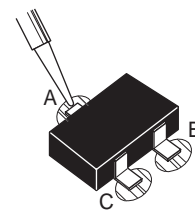


- (2) Grasp the chip part with tweezers and place it on the solder. Then heat and melt the solder at both ends of the chip part.

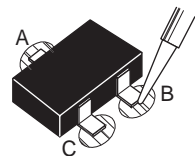


[Transistors, diodes, variable resistors, etc.]

- (1) Apply solder to the pattern as indicated in the figure.
- (2) Grasp the chip part with tweezers and place it on the solder.
- (3) First solder lead **A** as indicated in the figure.



- (4) Then solder leads **B** and **C**.



SECTION 3 ADJUSTMENT

3.1 ADJUSTMENT PREPARATION

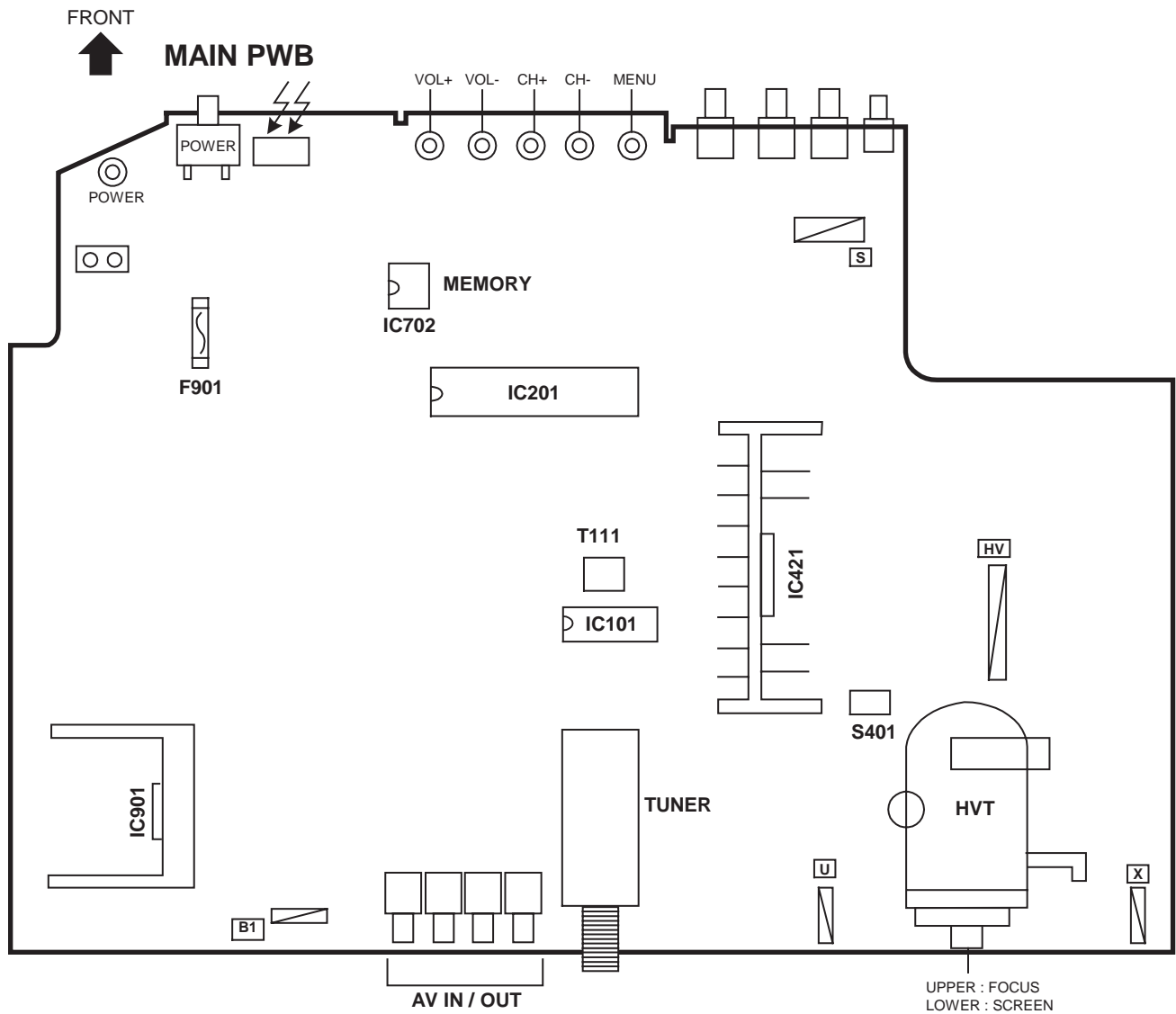
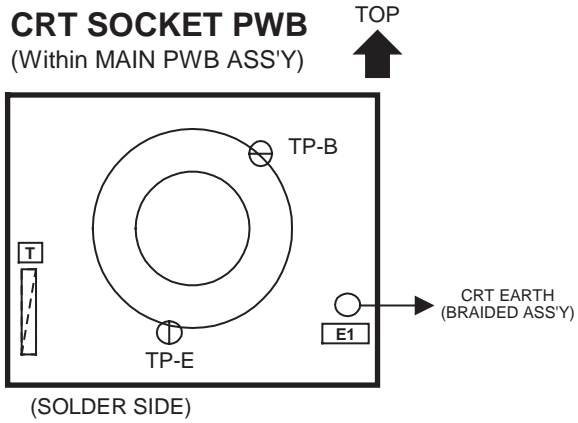
- (1) There are 2 ways of adjusting this TV : One is with the REMOTE CONTROL UNIT and the other is the conventional method using adjustment parts and components.
- (2) The adjustment using the REMOTE CONTROL UNIT is made on the basis of the initial setting values. The setting values which adjust the screen to the optimum condition can be different from the initial setting values.
- (3) Make sure that connection is correctly made AC to AC power source.
- (4) Turn on the power of the TV and measuring instruments for warming up for at least 30 minutes before starting adjustments.
- (5) If the receive or input signal is not specified, use the most appropriate signal for adjustment.
- (6) Never touch the parts (such as variable resistors, transformers and condensers) not shown in the adjustment items of this service adjustment.
- (7) Preparation for adjustment. Unless otherwise specified in the adjustment items, preset the following functions with the REMOTE CONTROL UNIT.

Item	Preset value
PICTURE MODE (VSM)	DYNAMIC
BASS / TREBLE / BALANCE	Center
HYPER SURROUND	OFF
TINT / COLOR / PICTURE / BRIGHT / DETAIL	Center
MTS	STEREO

3.2 MEASURING INSTRUMENT AND FIXTURES

- (1) DC voltmeter (or digital voltmeter)
- (2) Oscilloscope
- (3) Signal generator (Pattern generator) [NTSC]
- (4) TV audio multiplex signal generator
- (5) Remote control unit

3.3 ADJUSTMENT LOCATIONS



3.4 BASIC OPERATION OF SERVICE MENU

3.4.1 TOOL OF SERVICE MENU OPERATION

Operate the SERVICE MENU with the REMOTE CONTROL UNIT.

3.4.2 SERVICE MENU ITEMS

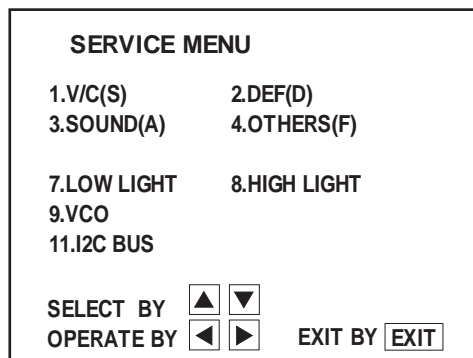
With the SERVICE MENU, various adjustments can be made, and they are broadly classified in the following items of settings.

(1) V/C (S)	This mode adjusts the VIDEO and CHROMA control circuit.
(2) DEF (D)	This mode adjusts the DEFLECTION control circuit.
(3) SOUND (A)	This mode adjusts the SOUND control circuit.
(4) OTHERS (F)	This mode adjusts the display setting and the other settings (Do not change the values).
(7) LOW LIGHT	This mode adjusts the WHITE BALANCE (LOW LIGHT) control circuit.
(8) HIGH LIGHT	This mode adjusts the WHITE BALANCE (HIGH LIGHT) control circuit.
(9) VCO	This mode adjusts the VCO control circuit.
(11) I2C BUS	This mode adjusts the I2C BUS control circuit (They are fixed).

3.4.3 BASIC OPERATION IN SERVICE MENU

3.4.3.1 HOW TO ENTER THE SERVICE MENU

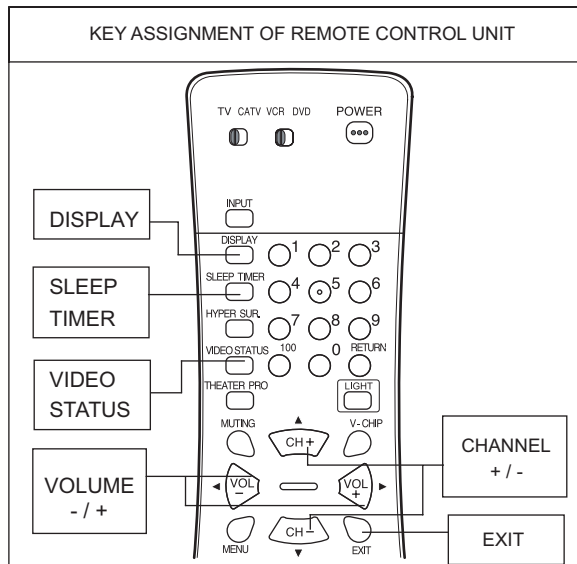
- Press the [SLEEP TIMER] key and set the SLEEP TIMER for "0 MIN".
 Then press the [DISPLAY] key and [VIDEO STATUS] key of the remote control unit at the same time to enter the SERVICE MENU screen.



3.4.3.2 SUB MENU SCREEN SELECTION

Press [VOLUME (-/+)] keys of the REMOTE CONTROL UNIT, and select the SUB MENU SCREEN from SERVICE MENU. In SERVICE MENU, press the [CHANNEL (-/+)] key to select any of the SUB MENU items. The letters of the selected items are displayed in yellow.

- | | |
|-------------------------|--------------|
| 1.V/C(S) | 2.DEF(D) |
| 3.SOUND(A) | 4.OTHERS(F) |
| 7.LOW LIGHT | 8.HIGH LIGHT |
| 9.VCO | |
| 11.I ² C BUS | |



NOTE:
 Although this illustration of remote control unit is written about RM-C12543G(AV-27D304), it can use for operating the other model of remote control unit as same key assignment.

3.4.3.3 SETTING METHOD

[1.V/C(S) ADJUSTMENT MODE]

For example, adjust the 1.V/C(S) by using the REMOTE CONTROL UNIT.

- 1) Press the [CHANNEL (-/+)] keys to select the one of setting item from S01 BRIGHT to S21 AGC ADJ.
- 2) Press the [VOLUME (-/+)] keys to change the setting value. The setting value will be stored automatically when release the REMOTE CONTROL UNIT keys. It can adjust the items from 1.V/C(S) to 3.SOUND(A) in the same procedure.

[7.LOW LIGHT, 8.HIGH LIGHT AND 9.VCO ADJUSTMENT MODE]

Since the key operation in this mode is peculiar, please refer to the clause of the "ADJUSTMENT PROCEDURE".

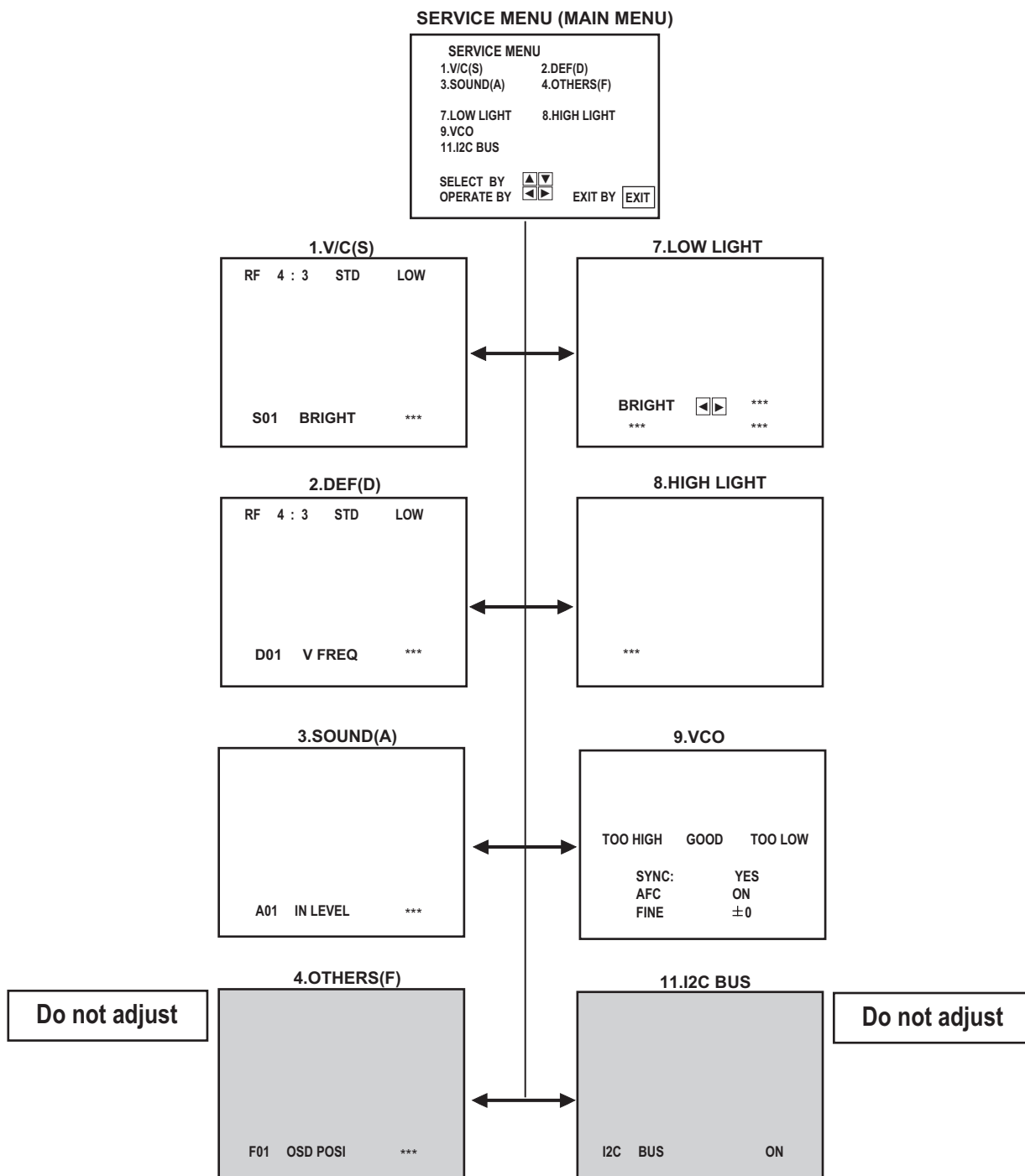
[4.OTHERS AND 11.I2C BUS ADJUSTMENT MODE]

These are no requirement for adjustment. Don't change these values.

3.4.3.4 Release of SERVICE MENU

When adjustment is completed, press the [EXIT] key twice. Then return to the normal screen.

3.4.4 SERVICE MENU FLOW CHART



3.5 INITIAL SETTING VALUE OF SERVICE MENU

- (1) Adjustment of the service menu is made on the basis of the initial setting values. however, the new setting values which displays on the screen in its optimum condition may differ from the initial setting value.
- (2) Do not change the initial setting values of the items not listed in "ADJUSTMENT PROCEDURE".
- (3) "---" is impossible to adjust.

3.5.1 [1.V / C]

No.	Setting item	Variable range	Initial setting value						
			RF / EXT (SV,CV)		EXTERNAL (SV,CV)		COMPONENT		
			STANDARD	THEATER	STANDARD	THEATER	STANDARD	THEATER	
S01	BRIGHT	0~127	64	---	---	---	---	---	---
S02	PICTURE	0~127	65	---	---	---	---	---	---
S03	COLOR	0~127	45	---	---	---	46	---	---
S04	TINT	0~127	60	---	---	---	63	---	---
S05	DETAIL	0~63	35	---	40	---	40	---	---
S06	BRIGHT +-	-128~+127	---	0	1	---	+1	---	---
S07	PICT+-	-128~+127	---	-15	0	---	0	---	---
S08	COLOR +-	-128~+127	---	-3	1	---	---	---	---
S09	TINT+-	-128~+127	---	-6	-3	---	---	---	---
S10	DETAIL+-	-128~+127	---	+3	---	---	---	---	---

[AV-27D104,AV-27D304]

No.	Setting item	Variable range	Initial setting value							
			RF/EXT (SV,CV)				COMPONENT			
			STANDARD		THEATER		STANDARD		THEATER	
			LOW	HIGH	LOW	HIGH	LOW	HIGH	LOW	HIGH
S11	R CUT OFF	0~255	30	---	---	---	---	---	---	---
S12	G CUT OFF	0~255	30	---	---	---	---	---	---	---
S13	B CUT OFF	0~255	30	---	---	---	---	---	---	---
S14	R DRIVE	0~127	64	---	---	---	---	---	---	---
S15	B DRIVE	0~127	64	---	---	---	---	---	---	---
S16	R CUT+-	-128~+127	---	0	0	0	-10	---	---	---
S17	G CUT+-	-128~+127	---	0	0	0	0	---	---	---
S18	B CUT+-	-128~+127	---	0	0	0	-10	---	---	---
S19	R DRV+-	-128~+127	---	+5	+13	+7	0	---	---	---
S20	B DRV+-	-128~+127	---	+6	-25	-9	0	---	---	---

[AV-27430,AV-27432]

No.	Setting item	Variable range	Initial setting value							
			RF/EXT (SV,CV)				COMPONENT			
			STANDARD		THEATER		STANDARD		THEATER	
			LOW	HIGH	LOW	HIGH	LOW	HIGH	LOW	HIGH
S11	R CUT OFF	0~255	30	---	---	---	---	---	---	---
S12	G CUT OFF	0~255	30	---	---	---	---	---	---	---
S13	B CUT OFF	0~255	30	---	---	---	---	---	---	---
S14	R DRIVE	0~127	64	---	---	---	---	---	---	---
S15	B DRIVE	0~127	64	---	---	---	---	---	---	---
S16	R CUT+-	-128~+127	---	0	0	0	0	---	---	---
S17	G CUT+-	-128~+127	---	0	0	0	0	---	---	---
S18	B CUT+-	-128~+127	---	0	0	0	0	---	---	---
S19	R DRV+-	-128~+127	---	0	+7	+7	0	---	---	---
S20	B DRV+-	-128~+127	---	0	-9	-9	0	---	---	---

No.	Setting item	Variable range	Initial setting value
S21	AGC ADJUST	0~127	80

3.5.2 [2.DEF]

No.	Setting item	Variable range	Initial setting value	
			RF	EXTERNAL (SV, CV)
D01	AFC GAIN	0~3	0	2
D02	H POSI	0~31	9 (/SA model) / 10 (/RA model)	9 (/SA model) / 10(/RA model)
D03	V SIZE	0~125	65	65
D04	V S CORR	0~15	0	0
D05	V LIN	0~15	8	8
D06	H SIZE	0~63	32	32
D07	WVMT TOP	0~3	0	0
D08	WVMT BTM	0~3	0	0
D09	EWCR TOP	0~31	16	16
D10	EWCR BTM	0~31	16	16
D11	EW PARA	0~63	26	26
D12	BLANK SW	0~1	0	0

3.5.3 [3.SOUND]

No.	Setting item	Variable range	Initial setting value
A01	IN LEVEL	0~63	36
A02	FH MON	0~1	0
A03	ST VCO	0~63	43
A04	PIL CAN	0~1	0
A05	FILTER	0~63	35
A06	LOW SEP	0~63	8
A07	HI SEP	0~63	26
A08	5FH MON	0~1	0
A09	SAP VCO	0~63	44

3.5.4 [4.OTHERS]

No.	Setting item	Variable range	Initial setting value
F01	OSD POSI	0~255	22
F02	OSD PREQ	0~255	83
F03	CCD POSI	0~63	42
F04	CCD FREQ	0~255	93
F05	CCD CONT	0~63	11
F06	PUR CONT	0~255	62
F07	VNR CHK	0~255	3
F08	VCSN TM	0~255	5
F09	CCD PCHK	0~1	1

3.5.5 [7.LOW LIGHT]

No.	Setting item	Variable range	Initial setting value
1	RED	0~255	30
2	GREEN	0~255	30
3	BLUE	0~255	30

3.5.6 [8.HIGH LIGHT]

No.	Setting item	Variable range	Initial setting value
1	RED	0~255	64
2	BLUE	0~255	64

3.6 ADJUSTMENT PROCEDURE

3.6.1 CHECK ITEM

Item	Measuring instrument	Test point	Adjustment part	Description
B1 POWER SUPPLY	DC voltmeter Signal generator	B1 Connector 1-pin : TP-91 3-pin : TP-E [MAIN PWB]		(1) Receive the black-and-white signal. (color off) (2) Connect the DC voltmeter to TP-91 (B1 connector 1 pin) and TP-E (B1 connector 3 pin). (3) Confirm that the voltage is DC134V±2V.

3.6.2 VCO

Item	Measuring instrument	Test point	Adjustment part	Description												
IF VCO	Remote control unit		[9.VCO] CW transf. (T111) [MAIN PWB]	<ul style="list-style-type: none"> It must not adjust without inputting the RF signal. (1) Receive a broadcast. (2) Select 9.VCO mode from the SERVICE MENU. (3) Change the [AFC] to OFF and [FINE] to 0. (4) Confirm that the color change from "TOO HIGH" to "TOO LOW" by CW transf. on MAIN PWB, and check the [SYNC] is YES. (5) Adjust CW transf. until "GOOD" letters turns green. And then confirm that the [SYNC] is YES again. Adjustment can be done in this statement. (6) It return the [AFC] to ON. (7) Push the [EXIT] key to exit the [9.VCO] mode. 												
<table border="1" style="margin: auto;"> <tr> <td>TOO HIGH</td> <td>GOOD</td> <td>TOO LOW</td> </tr> <tr> <td>SYNC:</td> <td>YES</td> <td></td> </tr> <tr> <td>AFC</td> <td>ON</td> <td></td> </tr> <tr> <td>FINE</td> <td>±0</td> <td></td> </tr> </table>					TOO HIGH	GOOD	TOO LOW	SYNC:	YES		AFC	ON		FINE	±0	
TOO HIGH	GOOD	TOO LOW														
SYNC:	YES															
AFC	ON															
FINE	±0															

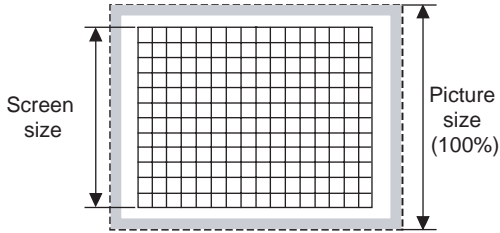
3.6.3 RF AGC

Item	Measuring instrument	Test point	Adjustment part	Description								
RF AGC	Signal generator Remote control unit		[1.V/C(S)] S21 : AGC ADJ	<ul style="list-style-type: none"> (1) Receive a black-and-white signal (colour off). (2) Select <S21>(AGC ADJ) of the 1.V/C(S). (3) Press the [MUTING] key and turn the picture color off. (4) With the [VOLUME (-)] key to get the noise in the screen picture (zero side of setting value). (5) Press the [VOLUME (+)] key several times and step when noise disappears from the screen (at that time, not to increase the value too much). (6) Change to other channels and make sure that there is no irregularity. (7) Press the [MUTING] key and get color out. 								
<table border="1" style="margin: auto;"> <thead> <tr> <th>No.</th> <th>Setting item</th> <th>Variable range</th> <th>Initial setting value</th> </tr> </thead> <tbody> <tr> <td>S21</td> <td>AGC ADJ</td> <td>0~127</td> <td>80</td> </tr> </tbody> </table>					No.	Setting item	Variable range	Initial setting value	S21	AGC ADJ	0~127	80
No.	Setting item	Variable range	Initial setting value									
S21	AGC ADJ	0~127	80									

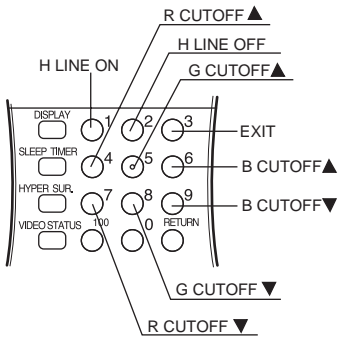
3.6.4 ADJUSTMENT OF FOCUS

Item	Measuring instrument	Test point	Adjustment part	Description
FOCUS	Signal generator		FOCUS VR [In HVT]	<ul style="list-style-type: none"> (1) Receive the crosshatch signal. (2) While looking at the screen, adjust the FOCUS VR to the vertical and horizontal lines will be clear and in fine detail. (3) Make sure that the picture is in focus even when the screen gets darkened.

3.6.5 DEFLECTION CIRCUIT

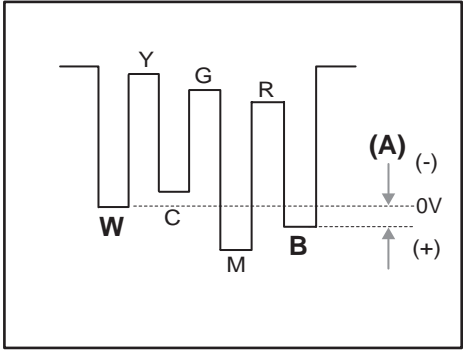
Item	Measuring instrument	Test point	Adjustment part	Description															
V. SIZE & V. CENTER	Signal generator		[2.DEF(D)] D03 : V SIZE	(1) Receive the crosshatch signal. (2) Select the <D03>(V SIZE). (3) Adjust the <D03> so that the vertical screen size becomes the value given below. (4) Adjust the V. CENTER SW to agree the vertical center with display center.															
	Remote control unit		V. CENTER SW(S401) [MAIN PWB]																
																			
<table border="1" style="width: 100%; border-collapse: collapse;"> <thead> <tr> <th style="width: 30%;">Model name</th> <th style="width: 70%;">Vertical screen size</th> </tr> </thead> <tbody> <tr> <td>RA model</td> <td>90.0%</td> </tr> <tr> <td>SA model</td> <td>89.0%</td> </tr> </tbody> </table>					Model name	Vertical screen size	RA model	90.0%	SA model	89.0%									
Model name	Vertical screen size																		
RA model	90.0%																		
SA model	89.0%																		
<table border="1" style="width: 100%; border-collapse: collapse;"> <thead> <tr> <th style="width: 10%;">No.</th> <th style="width: 20%;">Setting item</th> <th style="width: 20%;">Variable range</th> <th style="width: 50%;">Initial setting value</th> </tr> </thead> <tbody> <tr> <td>D03</td> <td>V SIZE</td> <td>0~125</td> <td>40</td> </tr> </tbody> </table>					No.	Setting item	Variable range	Initial setting value	D03	V SIZE	0~125	40							
No.	Setting item	Variable range	Initial setting value																
D03	V SIZE	0~125	40																
H. CENTER	Signal generator		[2.DEF(D)] D02 : H POSI	(1) Receive the crosshatch signal. (2) Select <D02>(H POSI). (3) Adjust the <D02> so that left width and right width of the crosshatch screen becomes equal.															
	Remote control unit																		
<table border="1" style="width: 100%; border-collapse: collapse;"> <thead> <tr> <th style="width: 20%;">Model name</th> <th style="width: 10%;">No.</th> <th style="width: 15%;">Setting item</th> <th style="width: 15%;">Variable range</th> <th style="width: 40%;">Initial setting value</th> </tr> </thead> <tbody> <tr> <td>RA model</td> <td>D02</td> <td>H POSI</td> <td>0~31</td> <td>10</td> </tr> <tr> <td>SA model</td> <td>D02</td> <td>H POSI</td> <td>0~31</td> <td>9</td> </tr> </tbody> </table>					Model name	No.	Setting item	Variable range	Initial setting value	RA model	D02	H POSI	0~31	10	SA model	D02	H POSI	0~31	9
Model name	No.	Setting item	Variable range	Initial setting value															
RA model	D02	H POSI	0~31	10															
SA model	D02	H POSI	0~31	9															

3.6.6 VIDEO CIRCUIT

Item	Measuring instrument	Test point	Adjustment part	Description																			
<p>WHITE BALANCE (LOW LIGHT)</p>	<p>Signal generator Remote control unit</p>		<p>[7.LOW LIGHT] [1.V/C(S)] S11 : R CUTOFF S12 : G CUTOFF S13 : B CUTOFF S01 : BRIGHT SCREEN VR [in HVT]</p>	<p>(1) Receive the black-and-white signal (color off). (2) Select the 7.LOW LIGHT in the SERVICE MENU. (3) Set the initial setting value of <S11>(R CUTOFF), <S12>(G CUTOFF), <S13>(B CUTOFF) and <S01>(BRIGHT). (4) Display a single horizontal line by pressing the [1] key. (5) Turn the SCREEN VR all the way to the left. (6) Turn the SCREEN VR gradually to the right from the left until either one of the red, blue or green color appears faintly. (7) Adjust the two colors which did not appear until the single horizontal line that is displayed becomes white using the [4] to [9] keys. (8) Turn the SCREEN VR until the single horizontal line is displayed faintly. (9) Press the [2] key to cancel the single horizontal line mode. (10) Adjust the <S01> level to become the black component shines white slightly by [VOLUME] key. (11) Confirm that whether the color ingredient of R,G,or B is visible to the black component, which shines white slightly. (12) When the color ingredient can be seen, two colors other than a visible color is adjusted, and it is made to look white. (13) Return the value of <S01> to initial setting value.</p> <p>If the [3] key is pressed, it can escape from WHITE BALANCE adjustment mode.</p>																			
<p>KEY ASSIGNMENT OF REMOTE CONTROL UNIT</p> 																							
<table border="1"> <thead> <tr> <th>No.</th> <th>Setting item</th> <th>Variable range</th> <th>Initial setting value</th> </tr> </thead> <tbody> <tr> <td>S11</td> <td>R CUT OFF</td> <td>0~255</td> <td>30</td> </tr> <tr> <td>S12</td> <td>G CUT OFF</td> <td>0~255</td> <td>30</td> </tr> <tr> <td>S13</td> <td>B CUT OFF</td> <td>0~255</td> <td>30</td> </tr> <tr> <td>S01</td> <td>BRIGHT</td> <td>0~127</td> <td>64</td> </tr> </tbody> </table>				No.	Setting item	Variable range	Initial setting value	S11	R CUT OFF	0~255	30	S12	G CUT OFF	0~255	30	S13	B CUT OFF	0~255	30	S01	BRIGHT	0~127	64
No.	Setting item	Variable range	Initial setting value																				
S11	R CUT OFF	0~255	30																				
S12	G CUT OFF	0~255	30																				
S13	B CUT OFF	0~255	30																				
S01	BRIGHT	0~127	64																				

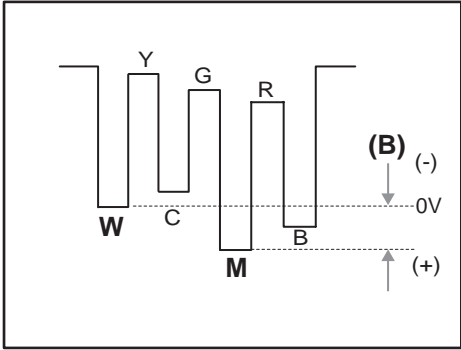
Item	Measuring instrument	Test point	Adjustment part	Description												
WHITE BALANCE (HIGH LIGHT)	Signal generator		[8.HIGH LIGHT] S14 : R DRIVE S15 : B DRIVE	<p>(1) Receive the black-and-white signal (color off). (2) Select the 8.HIGH LIGHT in the SERVICE MENU. (3) Set the initial setting value of <S14>(R DRIVE) and <S15>(B DRIVE) with the [4], [6], [7] and [9] keys of the remote control unit. (4) Adjust the screen until it becomes white using the [4], [6], [7] and [9] keys of the remote control unit.</p> <p>The [3] EXIT key is the cancel key for the 8.HIGH LIGHT mode.</p>												
	Remote control unit															
<p>KEY ASSIGNMENT OF REMOTE CONTROL UNIT</p>																
<table border="1" style="width: 100%; border-collapse: collapse;"> <thead> <tr> <th>No.</th> <th>Setting item</th> <th>Variable range</th> <th>Initial setting value</th> </tr> </thead> <tbody> <tr> <td>S14</td> <td>R DRIVE</td> <td>0~127</td> <td>64</td> </tr> <tr> <td>S15</td> <td>G DRIVE</td> <td>0~127</td> <td>64</td> </tr> </tbody> </table>					No.	Setting item	Variable range	Initial setting value	S14	R DRIVE	0~127	64	S15	G DRIVE	0~127	64
No.	Setting item	Variable range	Initial setting value													
S14	R DRIVE	0~127	64													
S15	G DRIVE	0~127	64													
SUB BRIGHT	Remote control unit		[1.V/C(S)] S01 : BRIGHT	<p>(1) Receive the broadcast. (2) Select <S01>(BRIGHT) of the 1.V/C(S). (3) Set the initial setting value of the <S01> with the [VOLUME (-/+)] key. (4) If the brightness is not the best with the initial setting value, make fine adjustment of the <S01> until you get the optimum brightness.</p>												
<table border="1" style="width: 100%; border-collapse: collapse;"> <thead> <tr> <th>No.</th> <th>Setting item</th> <th>Variable range</th> <th>Initial setting value</th> </tr> </thead> <tbody> <tr> <td>S01</td> <td>BRIGHT</td> <td>0~127</td> <td>64</td> </tr> </tbody> </table>					No.	Setting item	Variable range	Initial setting value	S01	BRIGHT	0~127	64				
No.	Setting item	Variable range	Initial setting value													
S01	BRIGHT	0~127	64													
SUB CONTRAST	Remote control unit		[1.V/C(S)] S02 : PICTURE	<p>(1) Receive the broadcast. (2) Select <S02>(PICTURE) of the 1.V/C(S). (3) Set the initial setting value of the <S02> with the [VOLUME (-/+)] key. (4) If the contrast is not the best with the initial setting value, make fine adjustment of the <S02> until you get the optimum contrast.</p>												
<table border="1" style="width: 100%; border-collapse: collapse;"> <thead> <tr> <th>No.</th> <th>Setting item</th> <th>Variable range</th> <th>Initial setting value</th> </tr> </thead> <tbody> <tr> <td>S02</td> <td>PICTURE</td> <td>0~127</td> <td>65</td> </tr> </tbody> </table>					No.	Setting item	Variable range	Initial setting value	S02	PICTURE	0~127	65				
No.	Setting item	Variable range	Initial setting value													
S02	PICTURE	0~127	65													

Item	Measuring instrument	Test point	Adjustment part	Description
SUB COLOR	Signal generator	TP-B TP-E [CRT SOCKET PWB]	[1.V/C(S)] S03 : COLOR	<p>[Method of adjustment without measuring instrument]</p> <p>(1) Receive the broadcast. (2) Select <S03>(COLOR) of the 1.V/C(S). (3) Set the initial setting value of the <S03> with the [VOLUME (-/+)] key. (4) If the color is not the best with the Initial setting value, make fine adjustment of the <S03> until you get the optimum color.</p> <p>[Method of adjustment using measuring instrument]</p> <p>(1) Receive the full field color bar signal (75% white). (2) Select <S03>(COLOR) of the 1.V/C(S). (3) Set the initial setting value of the <S03> with the [VOLUME (-/+)] key. (4) Connect the oscilloscope between TP-B and TP-E. (5) Adjust <S03> and bring the value of (A) in the illustration to the voltage given in the below table.</p>
	Oscilloscope			
	Remote control unit			



No.	Setting item	Variable range	Initial setting value
S03	COLOR	0~127	64

W-B Models	Adjustment Voltage
RA model	+17V
SA model	+15V

Item	Measuring instrument	Test point	Adjustment part	Description														
SUB TINT	Signal generator Oscilloscope Remote control unit	TP-B TP-E [CRT SOCKET PWB]	[1.V/C(S)] S04 : TINT	<p>[Method of adjustment without measuring instrument]</p> <p>(1) Receive the broadcast. (2) Select <S04>(TINT) of the 1.V/C. (3) Set the initial setting value of the <S04> with the [VOLUME (-/+)] key. (4) If the tint is not the best with the initial setting value, make fine adjustment of the <S04> until you get the optimum tint.</p>														
<div style="text-align: center;">  </div> <table border="1" data-bbox="246 863 831 1003" style="margin: 10px auto;"> <thead> <tr> <th>No.</th> <th>Setting item</th> <th>Variable range</th> <th>Initial setting value</th> </tr> </thead> <tbody> <tr> <td>S04</td> <td>TINT</td> <td>0~127</td> <td>64</td> </tr> </tbody> </table> <table border="1" data-bbox="287 1041 792 1199" style="margin: 10px auto;"> <thead> <tr> <th>Models \ W-B</th> <th>Adjustment Voltage</th> </tr> </thead> <tbody> <tr> <td>RA model</td> <td>+20V</td> </tr> <tr> <td>SA model</td> <td>+25V</td> </tr> </tbody> </table>				No.	Setting item	Variable range	Initial setting value	S04	TINT	0~127	64	Models \ W-B	Adjustment Voltage	RA model	+20V	SA model	+25V	<p>[Method of adjustment using measuring instrument]</p> <p>(1) Receive the full field color bar signal (75% white). (2) Select <S04>(TINT) of the 1.V/C. (3) Set the initial setting value of the <S04> with the [VOLUME (-/+)] key. (4) Connect the oscilloscope between TP-B and TP-E. (5) Adjust <S04> and bring the value of (B) in the illustration to the voltage given in the below table.</p>
No.	Setting item	Variable range	Initial setting value															
S04	TINT	0~127	64															
Models \ W-B	Adjustment Voltage																	
RA model	+20V																	
SA model	+25V																	

3.6.7 MTS CIRCUIT

Item	Measuring instrument	Test point	Adjustment part	Description												
MTS INPUT LEVEL	Remote control unit		[3.SOUND(A)] A01 : IN LEVEL	(1) Select the <A01>(IN LEVEL) of the 3.SOUND. (2) Verify that the <A01> is set at its initial setting value.												
	<table border="1"> <thead> <tr> <th>No.</th> <th>Setting item</th> <th>Variable range</th> <th>Initial setting value</th> </tr> </thead> <tbody> <tr> <td>A01</td> <td>IN LEVEL</td> <td>0~63</td> <td>036</td> </tr> </tbody> </table>				No.	Setting item	Variable range	Initial setting value	A01	IN LEVEL	0~63	036				
No.	Setting item	Variable range	Initial setting value													
A01	IN LEVEL	0~63	036													
MTS SEPARATION	TV audio multiplex signal generator	R OUT L OUT [AUDIO OUT]	[3.SOUND(A)] A06 : LOW SEP A07 : HI SEP	(1) Input the stereo L signal (300Hz) from the TV audio multiplex signal generator to the antenna terminal. (2) Connect an oscilloscope to R OUT pin of the AUDIO OUT, and display one cycle portion of the 300Hz signal. (3) Select the <A06>(LOW SEP) of the SOUND MODE. (4) Set the initial setting value of the <A06> with the [VOLUME (-/+)] key. (5) Adjust the <A06> so that the stroke element of the 300Hz signal will become minimum. (6) Change the connection of the oscilloscope to L OUT pin of the AUDIO OUT, and enlarge the voltage axis. (7) Change the signal to 3kHz, and similarly adjust the <A07>(HI SEP).												
	Oscilloscope Remote control unit	<div style="border: 1px solid black; padding: 10px; margin-bottom: 10px;"> <p>The diagram illustrates the MTS separation test setup. On the left, the 'L-Channel signal waveform' shows a single cycle of a sine wave. On the right, the 'R-Channel crosstalk portion' shows a smaller amplitude sine wave, with a horizontal line indicating the 'Minimum' level of the crosstalk signal.</p> </div> <table border="1"> <thead> <tr> <th>No.</th> <th>Setting item</th> <th>Variable range</th> <th>Initial setting value</th> </tr> </thead> <tbody> <tr> <td>A06</td> <td>LOW SEP</td> <td>0~63</td> <td>008</td> </tr> <tr> <td>A07</td> <td>HI SEP</td> <td>0~63</td> <td>026</td> </tr> </tbody> </table>				No.	Setting item	Variable range	Initial setting value	A06	LOW SEP	0~63	008	A07	HI SEP	0~63
No.	Setting item	Variable range	Initial setting value													
A06	LOW SEP	0~63	008													
A07	HI SEP	0~63	026													

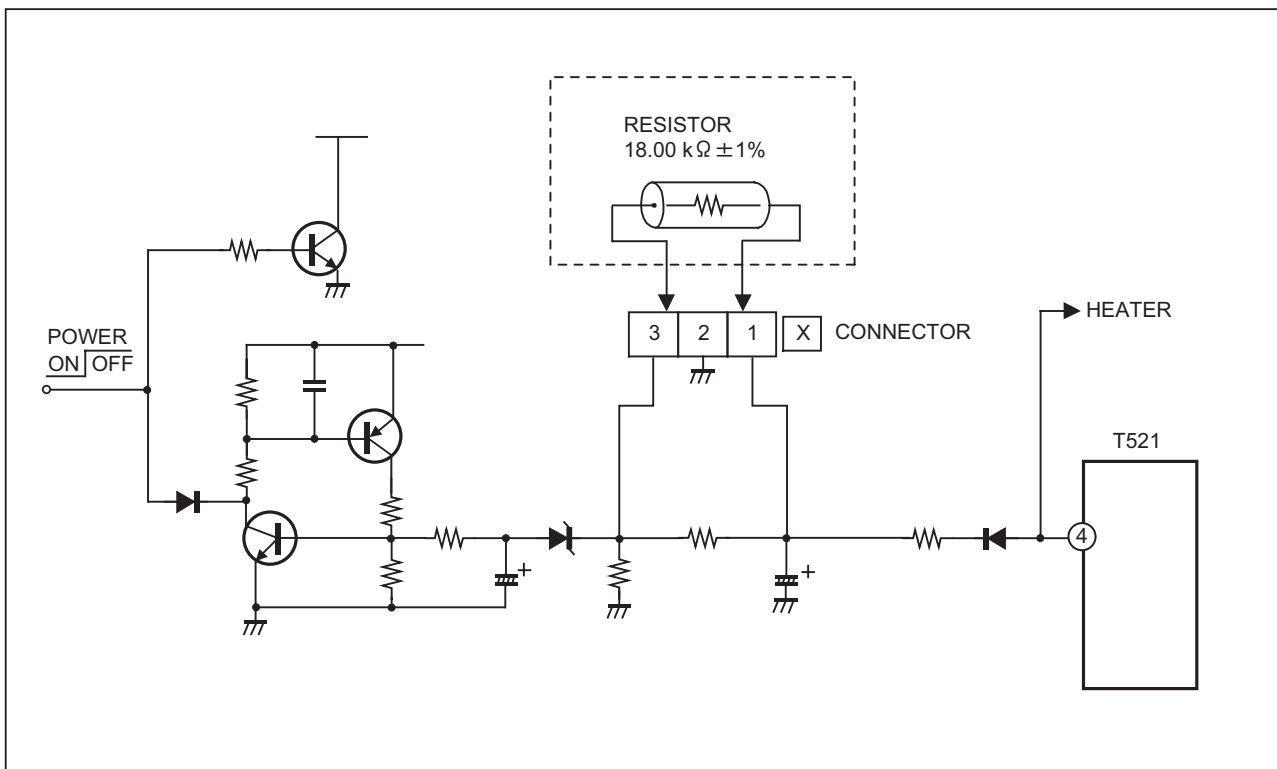
3.6.8 HOW TO CHECK THE HIGH VOLTAGE HOLD DOWN CIRCUIT

3.6.8.1 HIGH VOLTAGE HOLD DOWN CIRCUIT

After repairing the high voltage hold down circuit.
 This circuit shall be checked to operate correctly.

3.6.8.2 CHECKING OF THE HIGH VOLTAGE HOLD DOWN CIRCUIT

- (1) Turn the power switch to on.
- (2) Refer to the following figure, set the resistor between X connector 1 and 3 .
- (3) Make sure that the screen picture disappears.
- (4) Temporarily unplug the power plug.
- (5) Remove the resistor replaced X connector 1 and 3 .
- (6) Again plug the power plug, make sure that the normal picture is displayed on the screen.



JVC SERVICE & ENGINEERING COMPANY OF AMERICA
DIVISION OF JVC AMERICAS CORP.

www.jvcservice.com(US Only)

JVC CANADA INC.

Head office : 21 Finchdene Square Scarborough, Ontario M1X 1A7

(416)293-1311

JVC[®]

PARTS LIST

CAUTION

- The parts identified by the Δ symbol are important for the safety . Whenever replacing these parts, be sure to use specified ones to secure the safety.
- The parts not indicated in this Parts List and those which are filled with lines --- in the Parts No. columns will not be supplied.
- P. W. Board Ass'y will not be supplied, but those which are filled with the Parts No. in the Parts No. columns will be supplied.

ABBREVIATIONS OF RESISTORS, CAPACITORS AND TOLERANCES

RESISTORS		CAPACITORS	
CR	Carbon Resistor	C CAP.	Ceramic Capacitor
FR	Fusible Resistor	E CAP.	Electrolytic Capacitor
PR	Plate Resistor	M CAP.	Mylar Capacitor
VR	Variable Resistor	CH CAP.	Chip Capacitor
HV R	High Voltage Resistor	HV CAP.	High Voltage Capacitor
MF R	Metal Film Resistor	MF CAP.	Metalized Film Capacitor
MG R	Metal Glazed Resistor	MM CAP.	Metalized Mylar Capacitor
MP R	Metal Plate Resistor	MP CAP.	Metalized Polystyrol Capacitor
OM R	Metal Oxide Film Resistor	PP CAP.	Polypropylene Capacitor
CMF R	Coating Metal Film Resistor	PS CAP.	Polystyrol Capacitor
UNF R	Non-Flammable Resistor	TF CAP.	Thin Film Capacitor
CH V R	Chip Variable Resistor	MPP CAP.	Metalized Polypropylene Capacitor
CH MG R	Chip Metal Glazed Resistor	TAN. CAP.	Tantalum Capacitor
COMP. R	Composition Resistor	CH C CAP.	Chip Ceramic Capacitor
LPTC R	Linear Positive Temperature Coefficient Resistor	BP E CAP.	Bi-Polar Electrolytic Capacitor
		CH AL E CAP.	Chip Aluminum Electrolytic Capacitor
		CH AL BP CAP.	Chip Aluminum Bi-Polar Capacitor
		CH TAN. E CAP.	Chip Tantalum Electrolytic Capacitor
		CH AL BP E CAP.	Chip Tantalum Bi-Polar Electrolytic Capacitor

RESISTORS									
F	G	J	K	M	N	R	H	Z	P
±1%	±2%	±5%	±10%	±20%	±30%	+30% -10%	+50% -10%	+80% -20%	+100% -0%

CONTENTS

USING P.W. BOARD & REMOTE CONTROL UNIT	3-2
[AV-27D104 / AV-27D304]	
EXPLODED VIEW PARTS LIST - 1	3-3
EXPLODED VIEW - 1	3-3
EXPLODED VIEW PARTS LIST - 2	3-4
EXPLODED VIEW - 2	3-5
PRINTED WIRING BOARD PARTS LIST	3-6
[AV-27D104/RA] MAIN PW BOARD ASS'Y (SFE-1026A-M2)	3-6
[AV-27D104/SA] MAIN PW BOARD ASS'Y (SFE-1025A-M2)	3-10
[AV-27D304/RA] MAIN PW BOARD ASS'Y (SFE-1022A-M2)	3-14
[AV-27D304/SA] MAIN PW BOARD ASS'Y (SFE-1021A-M2)	3-18
[AV-27430 / AV-27432]	3-22
EXPLODED VIEW PARTS LIST	3-22
EXPLODED VIEW	3-23
PRINTED WIRING BOARD PARTS LIST	3-24
[AV-27430/RA] MAIN PW BOARD ASS'Y (SFE1028A-M2)	3-24
[AV-27430/SA] MAIN PW BOARD ASS'Y (SFE-1027A-M2)	3-28
[AV-27432/RA] MAIN PW BOARD ASS'Y (SFE-1030A-M2)	3-32
[AV-27432/SA] MAIN PW BOARD ASS'Y (SFE-1029A-M2)	3-36
[AV-27D104 / AV-27D304 / AV-27432]	
REMOTE CONTROL UNIT PARTS LIST (RM-C1253G-1H / RM-C1255G-1H)	3-40
[AV-27430]	
REMOTE CONTROL UNIT PARTS LIST (RM-C203-1C)	3-40
PACKING	3-41
PACKING PARTS LIST	3-42

USING P.W. BOARD & REMOTE CONTROL UNIT

[AV-27D104 / AV-27D304]

P.W.B ASS'Y	AV-27D104 _{/RA}	AV-27D104 _{/SA}	AV-27D304 _{/RA}	AV-27D304 _{/SA}
MAIN P.W.B	SFE-1026A-M2	SFE-1025A-M2	SFE-1022A-M2	SFE-1021A-M2
REMOTE CONTROL UNIT	RM-C1255G-1H	RM-C1253G-1H	RM-C1253G-1H	RM-C1253G-H

[AV-27430 / AV-27432]

P.W.B ASS'Y	AV-27430 _{/RA}	AV-27430 _{/SA}	AV-27432 _{/RA}	AV-27432 _{/SA}
MAIN P.W.B	SFE-1028A-M2	SFE-1027A-M2	SFE-1030A-M2	SFE-1029A-M2
REMOTE CONTROL UNIT	RM-C203-1C	RM-C203-1C	RM-C1255G-1H	RM-C1255G-1H

[AV-27D104 / AV-27D304] EXPLODED VIEW PARTS LIST - 1

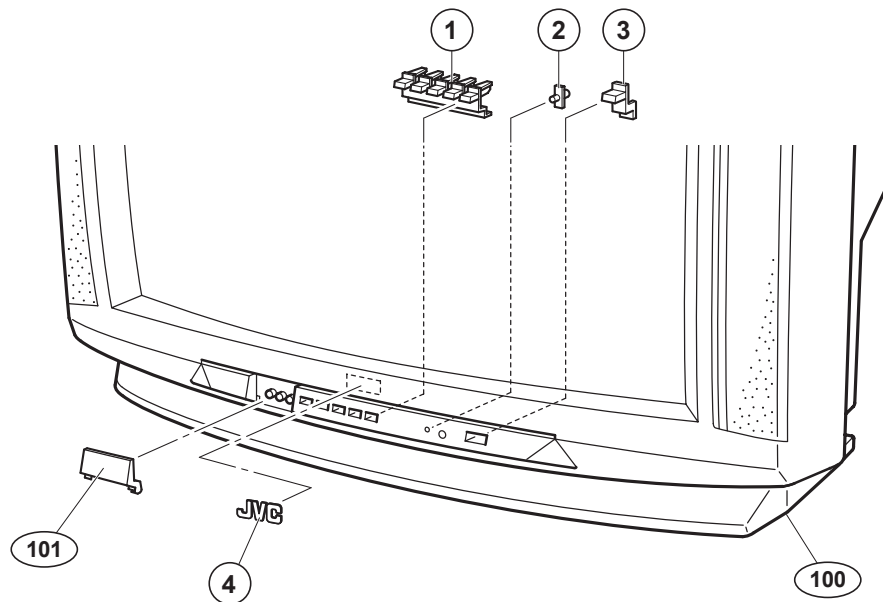
[AV-27D104/RA, AV-27D104/SA]

△ Ref.No.	Part No.	Part Name	Description	Local
△ 1	GQ30025-002A-A	CONTROL KNOB		
△ 2	LC30191-004A-A	REMOCON LENS		
△ 3	GQ30026-002A-A	POWER KNOB		
△ 4	CM48006-007-C	JVC MARK		
△ 100	GQ10018-003A-A	F CABINET ASSY	Inc. 101	
△ 101	GQ30024-002A-A	DOOR		

[AV-27D304/RA, AV-27D304/SA]

△ Ref.No.	Part No.	Part Name	Description	Local
△ 1	GQ30025-002A-A	CONTROL KNOB		
△ 2	LC30191-004A-A	REMOCON LENS		
△ 3	GQ30026-002A-A	POWER KNOB		
△ 4	CM48006-007-C	JVC MARK		
△ 100	GQ10018-001B-A	F CABINET ASSY	Inc. 101	
△ 101	GQ30024-002A-A	DOOR		

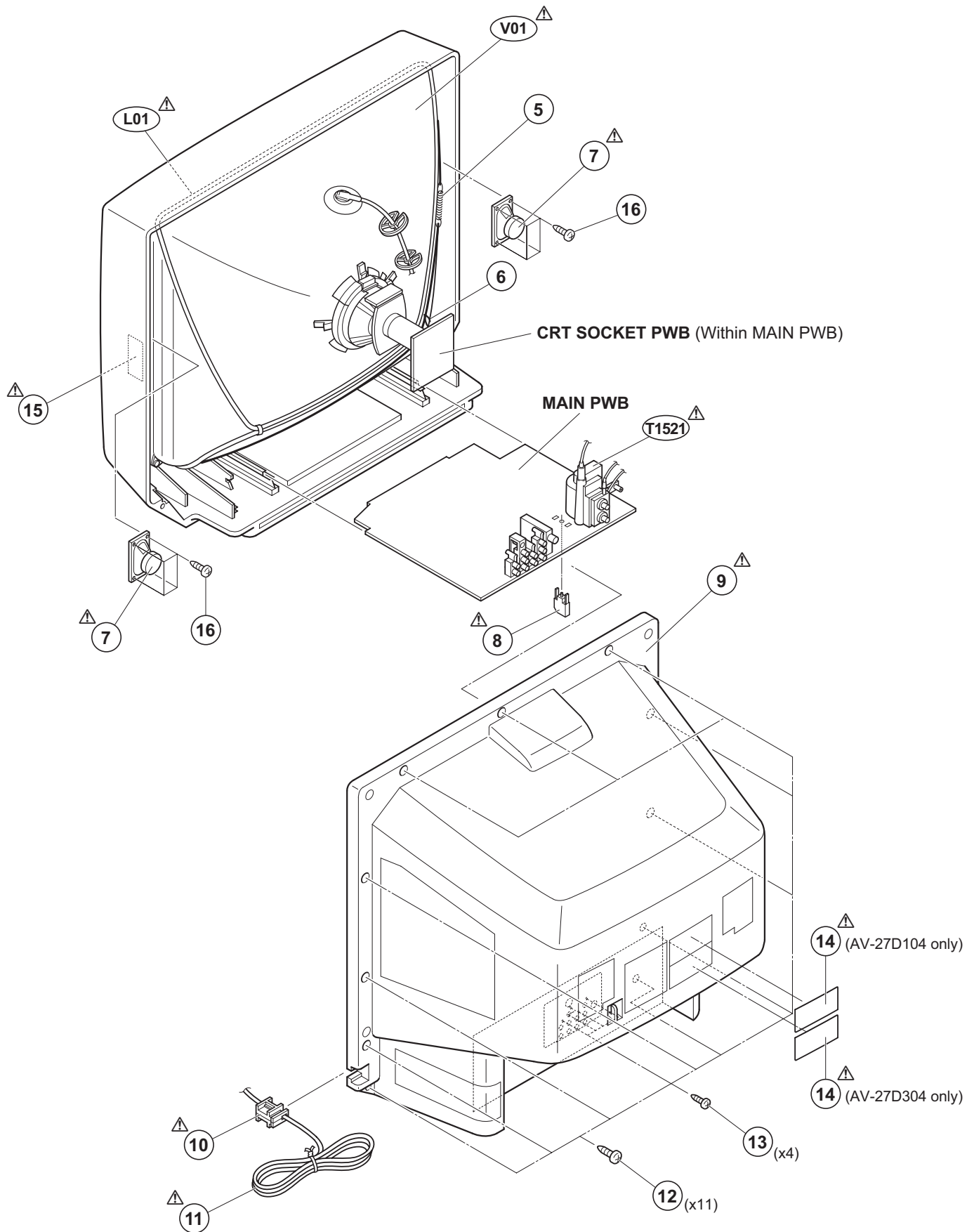
EXPLODED VIEW - 1



EXPLODED VIEW PARTS LIST - 2

△ Ref.No.	Part No.	Part Name	Description	Local
△ V01	A68ADT25X01	ITC	Included DY, PC magnet	AV-27D104/RA,AV-27D304/RA
△ V01	A68QDN891X001	ITC	Included DY, PC magnet	AV-27D104/SA,AV-27D304/SA
△ L01	QQW0120-001	DEG COIL		AV-27D104/RA,AV-27D304/RA
△ L01	CE41329-00DJB	DEG COIL		AV-27D104/SA,AV-27D304/SA
△ T1521	QQH0129-001	FB TRANSF		
5	CHGB0016-0C	BRAIDED ASSY		
6	CHGB0015-0B	BRAIDED ASSY		
△ 7	QAS0054-001	SPEAKER	(x2)SP01,02	
△ 8	CM48144-001-A	PB STOPPER		
△ 9	GQ10017-001B-A	REAR COVER		
△ 10	LC20106-001D-A	POWER CORD CLAMP		
△ 11	QMPD390-200-JS	POWER CORD(US/CA)	2m BLACK	
12	QYSBSFG4016Z	TAP SCREW	4mm x 16mm(x11)	
13	QYSBSB3010Z	TAP SCREW	3mm x 10mm(x4)	
△ 14	GQ30032-001A-A	RATING LABEL		
△ 15	GQ30034-001B-A	WARNING LABEL		
16	QYSBSB4012Z	TAP SCREW	4mm x 12mm(x8)	

EXPLODED VIEW - 2



PRINTED WIRING BOARD PARTS LIST

[AV-27D104/RA]

MAIN PW BOARD ASS'Y (SFE-1026A-M2)

△Ref No.	Part No.	Part Name	Description Local	△Ref No.	Part No.	Part Name	Description Local
IC1101	M52342SP	IC		D1801	MTZJ9.1C-T2	Z.DIODE I M	
IC1201	TM8812CPDNG4N35	IC(MCU)		D1802	MTZJ9.1C-T2	Z.DIODE I M	
IC1251	TC90A49P	IC		D1803	MTZJ9.1C-T2	Z.DIODE I M	
△IC1421	AN5522	IC		D1804	MTZJ9.1C-T2	Z.DIODE I M	
△IC1602	LA4446	IC		D1807	MTZJ9.1C-T2	Z.DIODE I M	
IC1603	CXA2134Q-X	IC		D1831	MTZJ9.1C-T2	Z.DIODE I M	
IC1702	AT24WC-27D104R	IC	(SERVICE)	D1832	MTZJ9.1C-T2	Z.DIODE I M	
IC1703	S-80840CNY-T	IC		D1833	MTZJ9.1C-T2	Z.DIODE I M	
IC1704	AN78L05-T	IC		D1834	MTZJ9.1C-T2	Z.DIODE I M	
IC1751	GP1UM281QK	IR DETECT UNIT		△D1901	GSIB460-S1	BRIDGE DIODE	
IC1851	TA1218AN	IC		D1902	RGP10J-5025-T3	SI DIODE	
IC1901	STR-G5624A/F8	IC		D1903	RGP10J-5025-T3	SI DIODE	
IC1921	AN7809F	IC		D1904	RGP10J-5025-T3	SI DIODE	
IC1922	UPC7805AHF	IC		D1905	SARS01-T2	SI DIODE	
				D1907	MA700A-T2	SB DIODE	
				D1908	MTZJ15C-T2	Z DIODE	
				D1921	1SR35-400A-T2	SI DIODE	
				D1922	1SR35-400A-T2	SI DIODE	
				D1923	1SR35-400A-T2	SI DIODE	
				D1924	1SR35-400A-T2	SI DIODE	
				D1925	1SS133-T2	SI DIODE	
				D1926	RU3AM-LFC4	SI DIODE	
				D1927	RU3YX-LFC4	SI DIODE	
				D1928	RU3YX-LFC4	SI DIODE	
				D1929	MTZJ7.5A-T2	Z DIODE	
				D1930	1SS133-T2	SI DIODE	
				D1931	1SS133-T2	SI DIODE	
				D1932	MTZJ33B-T2	Z DIODE	
				D1933	1N4002G-T2	SI DIODE	
Q1001	UN2212-X	DIGI TRANSISTOR		C1001	QETN1HM-475Z	E CAPACITOR	4.7uF 50V M
Q1101	2SC5083/L-P/-T	TRANSISTOR		C1002	NCB31HK-103X	C CAPACITOR	0.01uF 50V K
Q1131	2SB709A/QR/-X	TRANSISTOR		C1003	QETN1VM-476Z	E CAPACITOR	47uF 35V M
Q1161	2SD601A/QR/-X	TRANSISTOR		C1004	QETN1AM-477Z	E CAPACITOR	470uF 10V M
Q1211	2SD601A/QR/-X	TRANSISTOR		C1005	NCB31HK-103X	C CAPACITOR	0.01uF 50V K
Q1232	2SD601A/QR/-X	TRANSISTOR		C1101	NCB31HK-103X	C CAPACITOR	0.01uF 50V K
Q1233	2SD601A/QR/-X	TRANSISTOR		C1102	NCB31HK-103X	C CAPACITOR	0.01uF 50V K
Q1251	2SD601A/QR/-X	TRANSISTOR		C1104	NCB31HK-103X	C CAPACITOR	0.01uF 50V K
Q1252	2SD601A/QR/-X	TRANSISTOR		C1105	NCB31HK-103X	C CAPACITOR	0.01uF 50V K
Q1281	2SB709A/QR/-X	TRANSISTOR		C1106	QETN1EM-476Z	E CAPACITOR	47uF 25V M
Q1282	2SD601A/QR/-X	TRANSISTOR		C1107	NCB31HK-103X	C CAPACITOR	0.01uF 50V K
Q1283	2SB709A/QR/-X	TRANSISTOR		C1113	NCB31HK-103X	C CAPACITOR	0.01uF 50V K
Q1291	2SB709A/QR/-X	TRANSISTOR		C1114	NCB31HK-103X	C CAPACITOR	0.01uF 50V K
Q1292	2SD601A/QR/-X	TRANSISTOR		C1116	NCB31CK-224X	C CAPACITOR	0.22uF 16V K
Q1293	2SB709A/QR/-X	TRANSISTOR		C1117	QETN1EM-476Z	E CAPACITOR	47uF 25V M
Q1301	2SC4544-LB	POW TRANSISTOR		C1118	NCB31HK-103X	C CAPACITOR	0.01uF 50V K
Q1311	2SC4544-LB	POW TRANSISTOR		C1119	NDC31HJ-681X	C CAPACITOR	680pF 50V J
Q1321	2SC4544-LB	POW TRANSISTOR		C1120	QETN1HM-474Z	E CAPACITOR	0.47uF 50V M
Q1331	2SD601A/QR/-X	TRANSISTOR		C1124	NCB31HK-103X	C CAPACITOR	0.01uF 50V K
Q1332	2SD601A/QR/-X	TRANSISTOR		C1131	NCB31HK-103X	C CAPACITOR	0.01uF 50V K
Q1352	2SD601A/QR/-X	TRANSISTOR		C1161	QETN1HM-106Z	E CAPACITOR	10uF 50V M
Q1501	2SC4212/Z1/	TRANSISTOR		C1162	QETN1HM-106Z	E CAPACITOR	10uF 50V M
△Q1521	2SD2634-YD	TRANSISTOR	H OUT	C1163	NDC31HJ-470X	C CAPACITOR	47pF 50V J
Q1602	2SD601A/QR/-X	TRANSISTOR		C1164	NDC31HJ-470X	C CAPACITOR	47pF 50V J
Q1681	2SD601A/QR/-X	TRANSISTOR		C1165	NCB31HK-103X	C CAPACITOR	0.01uF 50V K
Q1682	2SD601A/QR/-X	TRANSISTOR		C1166	NCB31HK-103X	C CAPACITOR	0.01uF 50V K
Q1683	2SD601A/QR/-X	TRANSISTOR		C1202	QETN1HM-105Z	E CAPACITOR	1uF 50V M
Q1684	2SD601A/QR/-X	TRANSISTOR		C1203	NCB31HK-152X	C CAPACITOR	1500pF 50V K
Q1701	2SB709A/QR/-X	TRANSISTOR		C1211	QETN1HM-476Z	E CAPACITOR	47uF 50V M
Q1751	UN2112-X	DIGI TRANSISTOR		C1221	QETN1HM-106Z	E CAPACITOR	10uF 50V M
Q1851	2SB709A/QR/-X	TRANSISTOR		C1222	NCB31HK-104X	C CAPACITOR	0.1uF 50V K
Q1921	2SD1383K/AB/-X	TRANSISTOR		C1223	NCB31HK-103X	C CAPACITOR	0.01uF 50V K
Q1922	2SC2785/JH/-T	SI TRANSISTOR		C1237	NCB31HK-103X	C CAPACITOR	0.01uF 50V K
Q1923	2SA1037AK/QR/-X	TRANSISTOR		C1241	NCB31HK-103X	C CAPACITOR	0.01uF 50V K
Q1924	2SA1208/ST/Z1-T	TRANSISTOR		C1243	QETN1EM-476Z	E CAPACITOR	47uF 25V M
				C1244	NCB31HK-103X	C CAPACITOR	0.01uF 50V K
D1331	1SS133-T2	SI DIODE		C1247	QETN1HM-225Z	E CAPACITOR	2.2uF 50V M
D1352	MTZJ9.1C-T2	Z.DIODE I M		C1252	NDC31HJ-101X	C CAPACITOR	100pF 50V J
D1353	1SS133-T2	SI DIODE		C1253	NDC31HJ-470X	C CAPACITOR	47pF 50V J
D1365	1SS133-T2	SI DIODE		C1254	NDC31HJ-181X	C CAPACITOR	180pF 50V J
D1366	1SS133-T2	SI DIODE		C1261	NCB31HK-103X	C CAPACITOR	0.01uF 50V K
D1367	1SS133-T2	SI DIODE		C1262	QETN1EM-476Z	E CAPACITOR	47uF 25V M
D1368	MTZJ5.1B-T2	Z DIODE		C1263	NCB31HK-103X	C CAPACITOR	0.01uF 50V K
D1369	MTZJ5.1B-T2	Z DIODE		C1264	NCB31HK-103X	C CAPACITOR	0.01uF 50V K
D1370	MTZJ5.1B-T2	Z DIODE		C1265	QETN1HM-474Z	E CAPACITOR	0.47uF 50V M
D1401	1SR35-400A-T2	SI DIODE		C1266	NCB31HK-103X	C CAPACITOR	0.01uF 50V K
D1402	MTZJ75-T2	Z DIODE		C1267	NCB31HK-103X	C CAPACITOR	0.01uF 50V K
D1501	MTZJ3.3A-T2	Z DIODE		C1268	QETN1EM-476Z	E CAPACITOR	47uF 25V M
D1521	1SR35-400A-T2	SI DIODE		C1269	NCB31HK-103X	C CAPACITOR	0.01uF 50V K
D1522	RH1S-T3	SI DIODE		C1270	QETN1EM-476Z	E CAPACITOR	47uF 25V M
D1523	1SR35-400A-T2	SI DIODE		C1272	NCB31HK-103X	C CAPACITOR	0.01uF 50V K
D1524	RGP10J-5025-T3	SI DIODE		C1273	NCB31HK-103X	C CAPACITOR	0.01uF 50V K
D1525	MTZJ5.6A-T2	Z DIODE		C1274	NDC31HJ-181X	C CAPACITOR	180pF 50V J
D1526	MA4068N/Z1/-T2	Z DIODE					
D1661	MTZJ9.1C-T2	Z.DIODE I M					
D1681	MTZJ9.1C-T2	Z.DIODE I M					
D1682	MTZJ9.1C-T2	Z.DIODE I M					
D1683	MTZJ9.1C-T2	Z.DIODE I M					
D1684	MTZJ9.1C-T2	Z.DIODE I M					
D1685	MTZJ9.1C-T2	Z.DIODE I M					
D1686	MTZJ9.1C-T2	Z.DIODE I M					
D1687	MTZJ9.1C-T2	Z.DIODE I M					
D1688	MTZJ9.1C-T2	Z.DIODE I M					
D1705	1SS133-T2	SI DIODE					
D1751	LG22440	LED	POWER / ON TIMER				

△Ref No.	Part No.	Part Name	Description Local	△Ref No.	Part No.	Part Name	Description Local
C1275	QETN1EM-476Z	E CAPACITOR	47uF 25V M	C1682	QETN1HM-106Z	E CAPACITOR	10uF 50V M
C1276	NCB31HK-103X	C CAPACITOR	0.01uF 50V K	C1683	QETN1HM-106Z	E CAPACITOR	10uF 50V M
C1277	NCB31HK-103X	C CAPACITOR	0.01uF 50V K	C1684	QETN1HM-106Z	E CAPACITOR	10uF 50V M
C1278	NCB31HK-103X	C CAPACITOR	0.01uF 50V K	C1685	QETN1HM-106Z	E CAPACITOR	10uF 50V M
C1283	NDC31HJ-330X	C CAPACITOR	33pF 50V J	C1686	QETN1HM-106Z	E CAPACITOR	10uF 50V M
C1293	NDC31HJ-470X	C CAPACITOR	47pF 50V J	C1687	QETN1HM-106Z	E CAPACITOR	10uF 50V M
C1302	NDC31HJ-331X	C CAPACITOR	330pF 50V J	C1688	QETN1HM-106Z	E CAPACITOR	10uF 50V M
C1312	NDC31HJ-271X	C CAPACITOR	270pF 50V J	C1689	QETN1CM-336Z	E CAPACITOR	33uF 16V M
C1322	NDC31HJ-271X	C CAPACITOR	270pF 50V J	C1701	NCB31HK-102X	C CAPACITOR	1000pF 50V K
C1331	QETN1HM-105Z	E CAPACITOR	1uF 50V M	C1702	QETN1HM-106Z	E CAPACITOR	10uF 50V M
C1341	QETN1CM-107Z	E CAPACITOR	100uF 16V M	C1703	QETN1HM-106Z	E CAPACITOR	10uF 50V M
△C1343	QCZ0121-102	C CAPACITOR	1000pF 3KV	C1704	QETN1EM-476Z	E CAPACITOR	47uF 25V M
C1352	QETN1EM-476Z	E CAPACITOR	47uF 25V M	C1705	NCB31HK-103X	C CAPACITOR	0.01uF 50V K
C1354	NCB31HK-103X	C CAPACITOR	0.01uF 50V K	C1708	NDC31HJ-220X	C CAPACITOR	22pF 50V J
C1361	QETN1EM-476Z	E CAPACITOR	47uF 25V M	C1709	NDC31HJ-220X	C CAPACITOR	22pF 50V J
C1362	NCB31HK-103X	C CAPACITOR	0.01uF 50V K	C1711	QETN1EM-476Z	E CAPACITOR	47uF 25V M
C1401	QFV1HJ-474Z	MF CAPACITOR	0.47uF 50V J	C1712	NCB31HK-103X	C CAPACITOR	0.01uF 50V K
C1402	NCB31HK-102X	C CAPACITOR	1000pF 50V K	C1716	QETN1HM-106Z	E CAPACITOR	10uF 50V M
C1403	QENC1CM-106Z	BP E CAPACITOR	10uF 16V M	C1751	QETN1EM-476Z	E CAPACITOR	47uF 25V M
C1404	NCB31HK-222X	C CAPACITOR	2200pF 50V K	C1801	QETN1HM-106Z	E CAPACITOR	10uF 50V M
C1405	QETN1HM-106Z	E CAPACITOR	10uF 50V M	C1802	QETN1HM-106Z	E CAPACITOR	10uF 50V M
C1406	NCB31HK-102X	C CAPACITOR	1000pF 50V K	C1803	QETN1HM-105Z	E CAPACITOR	1uF 50V M
C1407	QETN1VM-107Z	E CAPACITOR	100uF 35V M	C1804	QETN1HM-106Z	E CAPACITOR	10uF 50V M
C1408	QCS32HJ-100Z	C CAPACITOR	10pF 500V J	C1807	NCB31HK-103X	C CAPACITOR	0.01uF 50V K
C1409	QFLC2AK-104Z	M CAPACITOR	0.1uF 100V K	C1815	NCB31HK-103X	C CAPACITOR	0.01uF 50V K
C1410	QFLC2AK-104Z	M CAPACITOR	0.1uF 100V K	C1831	NCB31HK-104X	C CAPACITOR	0.1uF 50V K
C1411	QETM1VM-228	E CAPACITOR	2200uF 35V M	C1832	NCB31HK-104X	C CAPACITOR	0.1uF 50V K
C1412	QETN1HM-225Z	E CAPACITOR	2.2uF 50V M	C1833	NCB31HK-104X	C CAPACITOR	0.1uF 50V K
C1501	QETN1EM-476Z	E CAPACITOR	47uF 25V M	C1834	QETN1HM-106Z	E CAPACITOR	10uF 50V M
C1502	NCB31HK-103X	C CAPACITOR	0.01uF 50V K	C1851	NCB31HK-103X	C CAPACITOR	0.01uF 50V K
C1503	NCB31HK-103X	C CAPACITOR	0.01uF 50V K	C1852	NCB31HK-103X	C CAPACITOR	0.01uF 50V K
C1504	QETN1HM-225Z	E CAPACITOR	2.2uF 50V M	C1853	QETN1HM-106Z	E CAPACITOR	10uF 50V M
C1505	NCB31AK-474X	C CAPACITOR	0.47uF 10V K	C1854	NCB31HK-103X	C CAPACITOR	0.01uF 50V K
C1506	QETN1EM-476Z	E CAPACITOR	47uF 25V M	C1855	NCB31HK-103X	C CAPACITOR	0.01uF 50V K
C1507	NCB31HK-103X	C CAPACITOR	0.01uF 50V K	C1856	NCB31HK-103X	C CAPACITOR	0.01uF 50V K
C1508	QCB32HK-151Z	C CAPACITOR	150pF 500V K	C1857	QETN1HM-106Z	E CAPACITOR	10uF 50V M
C1509	QCB32HK-331Z	C CAPACITOR	330pF 500V K	C1858	NCB31HK-103X	C CAPACITOR	0.01uF 50V K
C1510	QETN2EM-225Z	E CAPACITOR	2.2uF 250V M	C1859	NCB31HK-103X	C CAPACITOR	0.01uF 50V K
C1522	QFZ0198-123	MPP CAPACITOR	0.012uF 1.5KV	C1860	NCB31HK-103X	C CAPACITOR	0.01uF 50V K
C1523	QFZ0199-564	MPP CAPACITOR	0.56uF 250V	C1861	QETN1EM-476Z	E CAPACITOR	47uF 25V M
C1524	QCB32HK-561Z	C CAPACITOR	560pF 500V K	C1862	QETN1HM-106Z	E CAPACITOR	10uF 50V M
C1525	QEZ0203-107	E CAPACITOR	100uF 160V M	△C1901	QFZ9072-104	MM CAPACITOR	0.1uF AC250V K
C1526	QFLC1HJ-823Z	M CAPACITOR	0.082uF 50V J	△C1902	QFZ9072-104	MM CAPACITOR	0.1uF AC250V K
C1527	QETN2EM-106Z	E CAPACITOR	10uF 250V M	C1903	QEZO561-477	E CAPACITOR	470uF 200V
C1528	QETN1VM-108Z	E CAPACITOR	1000uF 35V M	△C1904	QCZ9054-102	C CAPACITOR	1000pF AC250V Z
C1529	QETN1VM-476Z	E CAPACITOR	47uF 35V M	△C1905	QCZ9054-102	C CAPACITOR	1000pF AC250V Z
C1530	QFLC2AK-104Z	M CAPACITOR	0.1uF 100V K	C1907	QETN1HM-476Z	E CAPACITOR	47uF 50V M
C1614	QETN1CM-477Z	E CAPACITOR	470uF 16V M	C1908	QCZ0340-332	C CAPACITOR	3300pF 2kV K
C1616	QETN1HM-475Z	E CAPACITOR	4.7uF 50V M	C1909	NCB31HK-182X	C CAPACITOR	1800pF 50V K
C1617	QETN1CM-227Z	E CAPACITOR	220uF 16V M	C1910	NDC31HJ-471X	C CAPACITOR	470pF 50V J
C1618	QETN1CM-107Z	E CAPACITOR	100uF 16V M	C1911	QFP32GJ-103Z	PP CAPACITOR	0.01uF 400V J
C1619	QETN1CM-477Z	E CAPACITOR	470uF 16V M	C1921	QETN1EM-477Z	E CAPACITOR	470uF 25V M
C1620	NCF31CZ-104X	C CAPACITOR	0.1uF 16V Z	C1923	QEZO203-107	E CAPACITOR	100uF 160V M
C1622	QETN1HM-475Z	E CAPACITOR	4.7uF 50V M	C1924	QETN2CM-476Z	E CAPACITOR	47uF 160V M
C1623	QETN1CM-227Z	E CAPACITOR	220uF 16V M	C1925	QETN1CM-108Z	E CAPACITOR	1000uF 16V M
C1624	QETN1CM-107Z	E CAPACITOR	100uF 16V M	C1926	QETN1CM-107Z	E CAPACITOR	100uF 16V M
C1625	QETN1CM-477Z	E CAPACITOR	470uF 16V M	C1927	QETN1CM-477Z	E CAPACITOR	470uF 16V M
C1626	NCF31CZ-104X	C CAPACITOR	0.1uF 16V Z	C1929	QCZ0340-102	C CAPACITOR	1000pF 2kV K
C1627	QETN1CM-227Z	E CAPACITOR	220uF 16V M	C1930	QCB32HK-102Z	C CAPACITOR	1000pF 500V K
C1651	QENC1HM-475Z	BP E CAPACITOR	4.7uF 50V M	C1931	QCB32HK-102Z	C CAPACITOR	1000pF 500V K
C1652	NCB31HK-104X	C CAPACITOR	0.1uF 50V K	C1932	QETN0JM-107Z	E CAPACITOR	100uF 6.3V M
C1653	QENC1HM-475Z	BP E CAPACITOR	4.7uF 50V M	C1933	QETN1VM-476Z	E CAPACITOR	47uF 35V M
C1654	NCB31HK-562X	C CAPACITOR	5600pF 50V K	C1935	QETN1CM-476Z	E CAPACITOR	47uF 16V M
C1655	NCB31HK-123X	C CAPACITOR	0.012uF 50V K	C1940	NCB31HK-103X	C CAPACITOR	0.01uF 50V K
C1656	QETN1HM-105Z	E CAPACITOR	1uF 50V M	C1941	QETN1CM-107Z	E CAPACITOR	100uF 16V M
C1657	QETN1HM-106Z	E CAPACITOR	10uF 50V M	C1942	QETN1CM-107Z	E CAPACITOR	100uF 16V M
C1658	QETN1HM-106Z	E CAPACITOR	10uF 50V M	C1943	NCB31HK-103X	C CAPACITOR	0.01uF 50V K
C1659	QETN1HM-475Z	E CAPACITOR	4.7uF 50V M	C1944	QETN1CM-107Z	E CAPACITOR	100uF 16V M
C1660	QETN1EM-476Z	E CAPACITOR	47uF 25V M	C1945	NCB31HK-103X	C CAPACITOR	0.01uF 50V K
C1661	NCB31HK-103X	C CAPACITOR	0.01uF 50V K	△C1991	QCZ9074-103	C CAPACITOR	0.01uF 250V
C1662	QENC1HM-475Z	BP E CAPACITOR	4.7uF 50V M	△C1992	QCZ9074-103	C CAPACITOR	0.01uF 250V
C1663	QETN1HM-475Z	E CAPACITOR	4.7uF 50V M	R1003	NRSA63J-221X	MG RESISTOR	220Ω 1/16W J
C1664	QENC1HM-475Z	BP E CAPACITOR	4.7uF 50V M	R1004	NRSA63J-221X	MG RESISTOR	220Ω 1/16W J
C1665	NCB31HK-272X	C CAPACITOR	2700pF 50V K	R1005	NRSA63J-0R0X	MG RESISTOR	0Ω 1/16W J
C1666	NCB31HK-473X	C CAPACITOR	0.047uF 50V K	R1006	NRSA63J-223X	MG RESISTOR	22kΩ 1/16W J
C1667	QETN1HM-335Z	E CAPACITOR	3.3uF 50V M	R1008	NRSA63J-820X	MG RESISTOR	82Ω 1/16W J
C1668	QENC1HM-475Z	BP E CAPACITOR	4.7uF 50V M	R1101	NRSA63J-562X	MG RESISTOR	5.6kΩ 1/16W J
C1669	QETN1HM-106Z	E CAPACITOR	10uF 50V M	R1102	NRSA63J-182X	MG RESISTOR	1.8kΩ 1/16W J
C1670	QETN1HM-105Z	E CAPACITOR	1uF 50V M	R1103	QRE121J-101Y	C RESISTOR	100Ω 1/2W J
C1671	QETN1HM-106Z	E CAPACITOR	10uF 50V M	R1104	NRSA63J-180X	MG RESISTOR	18Ω 1/16W J
C1672	QETN1HM-106Z	E CAPACITOR	10uF 50V M	R1105	NRSA63J-270X	MG RESISTOR	27Ω 1/16W J
C1673	NCB31HK-223X	C CAPACITOR	0.022uF 50V K	R1111	NRSA63J-394X	MG RESISTOR	390kΩ 1/16W J
C1674	NCB31HK-472X	C CAPACITOR	4700pF 50V K	R1112	NRSA63J-334X	MG RESISTOR	330kΩ 1/16W J
C1675	QENC1HM-475Z	BP E CAPACITOR	4.7uF 50V M	R1113	NRSA63J-101X	MG RESISTOR	100Ω 1/16W J
C1676	NCB31HK-104X	C CAPACITOR	0.1uF 50V K	R1115	NRSA63J-101X	MG RESISTOR	100Ω 1/16W J
C1677	NCB31HK-472X	C CAPACITOR	4700pF 50V K	R1116	NRSA63J-680X	MG RESISTOR	68Ω 1/16W J
C1681	QETN1HM-106Z	E CAPACITOR	10uF 50V M				

△Ref No.	Part No.	Part Name	Description Local	△Ref No.	Part No.	Part Name	Description Local
R1117	NRSA63J-273X	MG RESISTOR	27kΩ 1/16W J	R1416	QRE121J-102Y	C RESISTOR	1kΩ 1/2W J
R1131	NRSA63J-102X	MG RESISTOR	1kΩ 1/16W J	R1501	NRSA63J-472X	MG RESISTOR	4.7kΩ 1/16W J
R1132	NRSA63J-221X	MG RESISTOR	220Ω 1/16W J	R1502	NRSA63J-681X	MG RESISTOR	680Ω 1/16W J
R1133	NRSA63J-821X	MG RESISTOR	820Ω 1/16W J	R1504	NRSA63J-392X	MG RESISTOR	3.9kΩ 1/16W J
R1134	NRSA63J-681X	MG RESISTOR	680Ω 1/16W J	R1505	NRSA63J-154X	MG RESISTOR	150kΩ 1/16W J
R1135	NRSA63J-102X	MG RESISTOR	1kΩ 1/16W J	R1506	NRSA63J-471X	MG RESISTOR	470Ω 1/16W J
R1161	NRSA63J-332X	MG RESISTOR	3.3kΩ 1/16W J	R1507	NRSA63J-561X	MG RESISTOR	560Ω 1/16W J
R1163	NRSA63J-223X	MG RESISTOR	22kΩ 1/16W J	R1508	NRSA63J-101X	MG RESISTOR	100Ω 1/16W J
R1164	NRSA63J-102X	MG RESISTOR	1kΩ 1/16W J	R1509	NRSA63J-271X	MG RESISTOR	270Ω 1/16W J
R1165	NRSA63J-223X	MG RESISTOR	22kΩ 1/16W J	R1510	QRE121J-103Y	C RESISTOR	10kΩ 1/2W J
R1166	NRSA63J-103X	MG RESISTOR	10kΩ 1/16W J	R1511	QRG029J-182	OMF RESISTOR	1.8kΩ 2W J
R1167	NRSA63J-102X	MG RESISTOR	1kΩ 1/16W J	R1512	QRG029J-182	OMF RESISTOR	1.8kΩ 2W J
R1168	NRSA63J-101X	MG RESISTOR	100Ω 1/16W J	R1521	QRE121J-220Y	C RESISTOR	22Ω 1/2W J
R1169	NRSA63J-561X	MG RESISTOR	560Ω 1/16W J	R1522	QRE121J-681Y	C RESISTOR	680Ω 1/2W J
R1171	NRSA63J-103X	MG RESISTOR	10kΩ 1/16W J	R1523	QRL039J-152	OMF RESISTOR	1.5kΩ 3W J
R1201	NRSA63J-223X	MG RESISTOR	22kΩ 1/16W J	R1524	QRE121J-224Y	C RESISTOR	220kΩ 1/2W J
R1212	NRSA63J-272X	MG RESISTOR	2.7kΩ 1/16W J	R1525	QRE121J-184Y	C RESISTOR	180kΩ 1/2W J
R1215	NRSA63J-562X	MG RESISTOR	5.6kΩ 1/16W J	R1526	QRK129J-150	UNF C RESISTOR	15Ω 1/2W J
R1216	NRSA63J-562X	MG RESISTOR	5.6kΩ 1/16W J	R1527	QRX01GJ-1R0	MF RESISTOR	1Ω 1W J
R1217	NRSA63J-102X	MG RESISTOR	1kΩ 1/16W J	R1528	QRE121J-103Y	C RESISTOR	10kΩ 1/2W J
R1227	NRSA63J-104X	MG RESISTOR	100kΩ 1/16W J	R1529	QRK126J-4R7X	UNF C RESISTOR	4.7Ω 1/2W J
R1231	NRSA63J-182X	MG RESISTOR	1.8kΩ 1/16W J	R1530	QRX029J-1R5	MF RESISTOR	1.5Ω 2W J
R1232	NRSA63J-392X	MG RESISTOR	3.9kΩ 1/16W J	R1531	NRZ0032-7151X	CMF RESISTOR	7.15kΩ
R1233	NRSA63J-332X	MG RESISTOR	3.3kΩ 1/16W J	R1533	NRZ0032-2941X	CMF RESISTOR	2.94kΩ
R1234	NRSA63J-152X	MG RESISTOR	1.5kΩ 1/16W J	R1541	QRE121J-683Y	C RESISTOR	68kΩ 1/2W J
R1235	NRSA63J-102X	MG RESISTOR	1kΩ 1/16W J	R1614	QRL039J-100	OMF RESISTOR	10Ω 3W J
R1251	NRSA63J-332X	MG RESISTOR	3.3kΩ 1/16W J	R1615	NRSA63J-123X	MG RESISTOR	12kΩ 1/16W J
R1252	NRSA63J-103X	MG RESISTOR	10kΩ 1/16W J	R1616	NRSA63J-123X	MG RESISTOR	12kΩ 1/16W J
R1253	NRSA63J-102X	MG RESISTOR	1kΩ 1/16W J	R1617	NRSA63J-332X	MG RESISTOR	3.3kΩ 1/16W J
R1254	NRSA63J-181X	MG RESISTOR	180Ω 1/16W J	R1618	NRSA63J-332X	MG RESISTOR	3.3kΩ 1/16W J
R1255	NRSA63J-152X	MG RESISTOR	1.5kΩ 1/16W J	R1619	NRSA63J-471X	MG RESISTOR	470Ω 1/16W J
R1256	NRSA63J-152X	MG RESISTOR	1.5kΩ 1/16W J	R1620	NRSA63J-471X	MG RESISTOR	470Ω 1/16W J
R1257	NRSA63J-222X	MG RESISTOR	2.2kΩ 1/16W J	R1621	QRE121J-4R7Y	C RESISTOR	4.7Ω 1/2W J
R1261	NRSA63J-101X	MG RESISTOR	100Ω 1/16W J	R1622	QRE121J-4R7Y	C RESISTOR	4.7Ω 1/2W J
R1262	NRSA63J-101X	MG RESISTOR	100Ω 1/16W J	R1625	NRSA63J-103X	MG RESISTOR	10kΩ 1/16W J
R1263	NRSA63J-101X	MG RESISTOR	100Ω 1/16W J	R1627	NRSA63J-101X	MG RESISTOR	100Ω 1/16W J
R1264	NRSA63J-821X	MG RESISTOR	820Ω 1/16W J	R1631	QRX029J-3R3	MF RESISTOR	3.3Ω 2W J
R1282	NRSA63J-222X	MG RESISTOR	2.2kΩ 1/16W J	R1651	NRSA63J-101X	MG RESISTOR	100Ω 1/16W J
R1283	NRSA63J-821X	MG RESISTOR	820Ω 1/16W J	R1652	NRSA63J-101X	MG RESISTOR	100Ω 1/16W J
R1285	NRSA63J-331X	MG RESISTOR	330Ω 1/16W J	R1653	NRSA63J-105X	MG RESISTOR	1MΩ 1/16W J
R1286	NRSA63J-102X	MG RESISTOR	1kΩ 1/16W J	R1654	NRSA63J-104X	MG RESISTOR	100kΩ 1/16W J
R1287	NRSA63J-102X	MG RESISTOR	1kΩ 1/16W J	R1655	NRSA63J-682X	MG RESISTOR	6.8kΩ 1/16W J
R1288	NRSA63J-0R0X	MG RESISTOR	0Ω 1/16W J	R1656	NRSA63J-123X	MG RESISTOR	12kΩ 1/16W J
R1292	NRSA63J-222X	MG RESISTOR	2.2kΩ 1/16W J	R1657	NRSA63F-623X	MG RESISTOR	62kΩ 1/16W F
R1293	NRSA63J-471X	MG RESISTOR	470Ω 1/16W J	R1658	NRSA63J-332X	MG RESISTOR	3.3kΩ 1/16W J
R1295	NRSA63J-331X	MG RESISTOR	330Ω 1/16W J	R1659	NRSA63J-302X	MG RESISTOR	3kΩ 1/16W J
R1296	NRSA63J-102X	MG RESISTOR	1kΩ 1/16W J	R1661	NRSA63J-392X	MG RESISTOR	3.9kΩ 1/16W J
R1297	NRSA63J-102X	MG RESISTOR	1kΩ 1/16W J	R1662	NRSA63J-681X	MG RESISTOR	680Ω 1/16W J
R1298	NRSA63J-0R0X	MG RESISTOR	0Ω 1/16W J	R1663	NRSA63J-681X	MG RESISTOR	680Ω 1/16W J
R1301	NRSA63J-151X	MG RESISTOR	150Ω 1/16W J	R1664	NRSA63J-101X	MG RESISTOR	100Ω 1/16W J
R1302	QRL029J-123	OMF RESISTOR	12kΩ 2W J	R1665	NRSA63J-101X	MG RESISTOR	100Ω 1/16W J
R1303	QRZ0111-152	C RESISTOR	1.5kΩ 1/2W K	R1666	NRSA63J-101X	MG RESISTOR	100Ω 1/16W J
R1304	NRSA63J-332X	MG RESISTOR	3.3kΩ 1/16W J	R1667	NRSA63J-101X	MG RESISTOR	100Ω 1/16W J
R1305	NRSA63J-271X	MG RESISTOR	270Ω 1/16W J	R1681	NRSA63J-681X	MG RESISTOR	680Ω 1/16W J
R1306	NRSA63J-101X	MG RESISTOR	100Ω 1/16W J	R1682	NRSA63J-681X	MG RESISTOR	680Ω 1/16W J
R1311	NRSA63J-151X	MG RESISTOR	150Ω 1/16W J	R1683	NRSA63J-223X	MG RESISTOR	22kΩ 1/16W J
R1312	QRL029J-123	OMF RESISTOR	12kΩ 2W J	R1684	NRSA63J-223X	MG RESISTOR	22kΩ 1/16W J
R1313	QRZ0111-152	C RESISTOR	1.5kΩ 1/2W K	R1685	NRSA63J-223X	MG RESISTOR	22kΩ 1/16W J
R1314	NRSA63J-332X	MG RESISTOR	3.3kΩ 1/16W J	R1686	NRSA63J-223X	MG RESISTOR	22kΩ 1/16W J
R1315	NRSA63J-271X	MG RESISTOR	270Ω 1/16W J	R1687	NRSA63J-221X	MG RESISTOR	220Ω 1/16W J
R1316	NRSA63J-101X	MG RESISTOR	100Ω 1/16W J	R1688	NRSA63J-221X	MG RESISTOR	220Ω 1/16W J
R1321	NRSA63J-151X	MG RESISTOR	150Ω 1/16W J	R1691	NRSA63J-823X	MG RESISTOR	82kΩ 1/16W J
R1322	QRL029J-123	OMF RESISTOR	12kΩ 2W J	R1692	NRSA63J-823X	MG RESISTOR	82kΩ 1/16W J
R1323	QRZ0111-152	C RESISTOR	1.5kΩ 1/2W K	R1701	NRSA63J-102X	MG RESISTOR	1kΩ 1/16W J
R1324	NRSA63J-332X	MG RESISTOR	3.3kΩ 1/16W J	R1702	NRSA63J-102X	MG RESISTOR	1kΩ 1/16W J
R1325	NRSA63J-271X	MG RESISTOR	270Ω 1/16W J	R1703	NRSA63J-103X	MG RESISTOR	10kΩ 1/16W J
R1326	NRSA63J-101X	MG RESISTOR	100Ω 1/16W J	R1704	NRSA63J-472X	MG RESISTOR	4.7kΩ 1/16W J
R1331	NRSA63J-223X	MG RESISTOR	22kΩ 1/16W J	R1705	NRSA63J-472X	MG RESISTOR	4.7kΩ 1/16W J
R1332	NRSA63J-101X	MG RESISTOR	100Ω 1/16W J	R1706	NRSA63J-472X	MG RESISTOR	4.7kΩ 1/16W J
R1333	NRSA63J-103X	MG RESISTOR	10kΩ 1/16W J	R1707	NRSA63J-103X	MG RESISTOR	10kΩ 1/16W J
R1354	NRSA63J-331X	MG RESISTOR	330Ω 1/16W J	R1708	NRSA63J-101X	MG RESISTOR	100Ω 1/16W J
R1356	NRSA63J-123X	MG RESISTOR	12kΩ 1/16W J	R1709	NRSA63J-101X	MG RESISTOR	100Ω 1/16W J
R1359	NRSA63J-103X	MG RESISTOR	10kΩ 1/16W J	R1714	NRSA63J-823X	MG RESISTOR	82kΩ 1/16W J
R1360	NRSA63J-0R0X	MG RESISTOR	0Ω 1/16W J	R1715	NRSA63J-101X	MG RESISTOR	100Ω 1/16W J
R1364	NRSA63J-101X	MG RESISTOR	100Ω 1/16W J	R1718	NRSA63J-223X	MG RESISTOR	22kΩ 1/16W J
R1365	NRSA63J-101X	MG RESISTOR	100Ω 1/16W J	R1720	QRJ149J-1R0	UNF C RESISTOR	1Ω 1/4W J
R1366	NRSA63J-101X	MG RESISTOR	100Ω 1/16W J	R1721	NRSA63J-102X	MG RESISTOR	1kΩ 1/16W J
R1401	NRSA63J-102X	MG RESISTOR	1kΩ 1/16W J	R1729	NRSA63J-223X	MG RESISTOR	22kΩ 1/16W J
R1402	NRSA63J-472X	MG RESISTOR	4.7kΩ 1/16W J	R1731	NRSA63J-101X	MG RESISTOR	100Ω 1/16W J
R1403	NRSA63J-103X	MG RESISTOR	10kΩ 1/16W J	R1732	NRSA63J-101X	MG RESISTOR	100Ω 1/16W J
R1405	NRSA63J-103X	MG RESISTOR	10kΩ 1/16W J	R1733	NRSA63J-472X	MG RESISTOR	4.7kΩ 1/16W J
R1407	QRE121J-681Y	C RESISTOR	680Ω 1/2W J	R1734	NRSA63J-472X	MG RESISTOR	4.7kΩ 1/16W J
R1408	QRE121J-681Y	C RESISTOR	680Ω 1/2W J	R1739	NRSA63J-272X	MG RESISTOR	2.7kΩ 1/16W J
R1409	QRX01GJ-1R0	MF RESISTOR	1Ω 1W J	R1740	NRSA63J-101X	MG RESISTOR	100Ω 1/16W J
R1411	NRSA63J-123X	MG RESISTOR	12kΩ 1/16W J	R1751	NRSA63J-102X	MG RESISTOR	1kΩ 1/16W J
R1412	NRSA63J-153X	MG RESISTOR	15kΩ 1/16W J	R1752	NRSA63J-102X	MG RESISTOR	1kΩ 1/16W J
R1414	NRSA63J-103X	MG RESISTOR	10kΩ 1/16W J	R1753	NRSA63J-152X	MG RESISTOR	1.5kΩ 1/16W J

ΔRef No.	Part No.	Part Name	Description Local	ΔRef No.	Part No.	Part Name	Description Local
R1754	NRSA63J-272X	MG RESISTOR	2.7kΩ 1/16W J	T1111	QQR0907-001	IFT	
R1755	NRSA63J-562X	MG RESISTOR	5.6kΩ 1/16W J	T1501	CE42034-002	HOR DRIVE TRANS	
R1756	NRSA63J-122X	MG RESISTOR	1.2kΩ 1/16W J	ΔT1901	QQT0355-001	POWER TRANSF	
R1757	NRSA63J-101X	MG RESISTOR	100Ω 1/16W J	ΔT1921	QQS0158-001	SW TRANSF	
R1758	NRSA63J-101X	MG RESISTOR	100Ω 1/16W J				
R1764	NRSA63J-471X	MG RESISTOR	470Ω 1/16W J	CF1001	QAX0349-001	C TRAP	
R1765	NRSA63J-471X	MG RESISTOR	470Ω 1/16W J	CF1131	QAX0639-001Z	C TRAP	4.500MHz
R1766	NRSA63J-471X	MG RESISTOR	470Ω 1/16W J	CF1161	QAX0642-001Z	C FILTER	4.500MHz
R1767	NRSA63J-471X	MG RESISTOR	470Ω 1/16W J	CN100C	QGA2501F1-06	CONNECTOR	W-B (1-6)
R1768	NRSA63J-682X	MG RESISTOR	6.8kΩ 1/16W J	CN100S	QGA2501C5-04Z	CONNECTOR	W-B (1-4)
R1769	NRSA63J-102X	MG RESISTOR	1kΩ 1/16W J	CN100T	CHGC05-480	CONNECTOR WIRE	
R1770	NRSA63J-103X	MG RESISTOR	10kΩ 1/16W J	CN100U	CHGC04-400	CONNECTOR ASSY	
R1771	NRSA63J-153X	MG RESISTOR	15kΩ 1/16W J	CN10B1	CH41169-R03Y	EH POST HEADER	
R1772	NRSA63J-103X	MG RESISTOR	10kΩ 1/16W J	CN10E1	CHGT0015-0B	CONNECTOR ASSY	
R1773	NRSA63J-103X	MG RESISTOR	10kΩ 1/16W J	CN10HV	QGG25004C1-06	CONNECTOR	(1-6)
R1774	NRSA63J-103X	MG RESISTOR	10kΩ 1/16W J	ΔCN1DEG	QGA7901C1-02	CONNECTOR	W-B (1-2)
R1775	NRSA63J-103X	MG RESISTOR	10kΩ 1/16W J	CN1HHS	CH41169-R03Y	EH POST HEADER	
R1776	NRSA63J-101X	MG RESISTOR	100Ω 1/16W J	ΔF1901	QMF51N1-5R0-J5	FUSE	5A AC125V
R1777	NRSA63J-101X	MG RESISTOR	100Ω 1/16W J	ΔFC1901	CEMG002-001Z	FUSE CLIP	(x2)
R1778	NRSA63J-103X	MG RESISTOR	10kΩ 1/16W J	ΔH1002	LC30381-001A	HEAT SINK/FE-P/	
R1801	NRSA63J-680X	MG RESISTOR	68Ω 1/16W J	ΔH1602	CEHE014-001WU	HEAT SINK	
R1802	NRSA63J-750X	MG RESISTOR	75Ω 1/16W J	ΔHS1004	LC31696-001A	HEAT SINK/AL-F/	
R1803	NRSA63J-750X	MG RESISTOR	75Ω 1/16W J	ΔHS1009	LC31678-001A	HEAT SINK/AL-F/	
R1804	NRSA63J-750X	MG RESISTOR	75Ω 1/16W J	J1001	QNZ0454-001	AV JACK	S / V / L / R IN
R1805	NRSA63J-101X	MG RESISTOR	100Ω 1/16W J	J1002	QNN0348-001	PIN JACK	L / R OUT
R1821	NRSA63J-124X	MG RESISTOR	120kΩ 1/16W J	J1003	QNN0349-002	PIN JACK	V / L / R IN
R1831	NRSA63J-750X	MG RESISTOR	75Ω 1/16W J	J1004	QNN0348-001	PIN JACK	L / R IN
R1832	NRSA63J-750X	MG RESISTOR	75Ω 1/16W J	J1005	CEMN065-001	PIN JACK	V IN
R1833	NRSA63J-750X	MG RESISTOR	75Ω 1/16W J	J1006	CEMN065-002	PIN JACK	L IN
R1834	NRSA63J-101X	MG RESISTOR	100Ω 1/16W J	J1007	CEMN072-003	PIN JACK	R IN
R1835	NRSA63J-101X	MG RESISTOR	100Ω 1/16W J	K1001	QQR0582-001Z	FERRITE BEADS	
R1836	NRSA63J-101X	MG RESISTOR	100Ω 1/16W J	K1101	QQR0582-001Z	FERRITE BEADS	
R1851	NRSA63J-101X	MG RESISTOR	100Ω 1/16W J	K1251	QQR0582-001Z	FERRITE BEADS	
R1852	NRSA63J-101X	MG RESISTOR	100Ω 1/16W J	K1253	QQR0582-001Z	FERRITE BEADS	
R1853	NRSA63J-101X	MG RESISTOR	100Ω 1/16W J	K1254	QQR0582-001Z	FERRITE BEADS	
R1854	NRSA63J-101X	MG RESISTOR	100Ω 1/16W J	K1401	QQR0582-001Z	FERRITE BEADS	
R1855	NRSA63J-153X	MG RESISTOR	15kΩ 1/16W J	K1701	QQR0582-001Z	FERRITE BEADS	
R1856	NRSA63J-101X	MG RESISTOR	100Ω 1/16W J	K1702	QQR0582-001Z	FERRITE BEADS	
R1857	NRSA63J-103X	MG RESISTOR	10kΩ 1/16W J	K1901	QQR0582-001Z	FERRITE BEADS	
R1858	NRSA63J-101X	MG RESISTOR	100Ω 1/16W J	K1902	QQR0582-001Z	FERRITE BEADS	
R1859	NRSA63J-101X	MG RESISTOR	100Ω 1/16W J	K1903	QQR0582-001Z	FERRITE BEADS	
R1860	NRSA63J-101X	MG RESISTOR	100Ω 1/16W J	K1904	QQR0582-001Z	FERRITE BEADS	
R1861	NRSA63J-101X	MG RESISTOR	100Ω 1/16W J	K1921	QQR0582-001Z	FERRITE BEADS	
R1862	NRSA63J-104X	MG RESISTOR	100kΩ 1/16W J	K1922	QQR0582-001Z	FERRITE BEADS	
R1863	NRSA63J-473X	MG RESISTOR	47kΩ 1/16W J	K1923	QQR0582-001Z	FERRITE BEADS	
ΔR1901	QRF074K-R47	UNF VVW RESISTOR	0.47Ω 7W K	ΔLF1901	QQR0527-003	LINE FILTER	
R1902	QRE121J-473Y	C RESISTOR	47kΩ 1/2W J	ΔRY1901	QSK0085-001	RELAY	
R1903	QRE121J-473Y	C RESISTOR	47kΩ 1/2W J	S1401	QSL4A13-C02	LEVER SWITCH	V. CENTER
R1904	QRT029J-R22	MF RESISTOR	0.22Ω 2W J	S1751	QSW0619-003Z	TACT SWITCH	POWER
R1905	QRT029J-R22	MF RESISTOR	0.22Ω 2W J	S1752	QSW0619-003Z	TACT SWITCH	VOL +
R1906	QRE121J-2R2Y	C RESISTOR	2.2Ω 1/2W J	S1753	QSW0619-003Z	TACT SWITCH	VOL -
R1907	QRE121J-472Y	C RESISTOR	4.7kΩ 1/2W J	S1754	QSW0619-003Z	TACT SWITCH	CH +
R1908	QRK126J-681X	UNF C RESISTOR	680Ω 1/2W J	S1755	QSW0619-003Z	TACT SWITCH	CH-
R1910	QRE121J-684Y	C RESISTOR	680kΩ 1/2W J	S1756	QSW0619-003Z	TACT SWITCH	MENU
R1911	QRG01GJ-470	OMF RESISTOR	47Ω 1W J	SF1101	QAX0723-001	SAW FILTER	
R1922	NRSA63J-102X	MG RESISTOR	1kΩ 1/16W J	ΔSK1351	QNZ0536-001	CRT SOCKET	
R1923	NRSA63J-473X	MG RESISTOR	47kΩ 1/16W J	ΔTH1901	QAD0129-3R0	P THERMISTOR	3Ω
R1924	QRX01GJ-1R0	MF RESISTOR	1Ω 1W J	ΔTU1001	QAU0275-002	TUNER	
R1925	QRX01GJ-1R0	MF RESISTOR	1Ω 1W J	ΔVA1901	ERZV10V621CS	ZNR	
R1926	QRT029J-1R2	MF RESISTOR	1.2Ω 2W J	W1001	NRSA63J-0R0X	MG RESISTOR	0Ω 1/16W J
R1927	QRT029J-1R2	MF RESISTOR	1.2Ω 2W J	W1002	NRSA63J-0R0X	MG RESISTOR	0Ω 1/16W J
R1928	QRE121J-272Y	C RESISTOR	2.7kΩ 1/2W J	W1412	NRSA63J-0R0X	MG RESISTOR	0Ω 1/16W J
R1929	QRE121J-223Y	C RESISTOR	22kΩ 1/2W J	W1728	NRSA63J-0R0X	MG RESISTOR	0Ω 1/16W J
R1930	QRE121J-473Y	C RESISTOR	47kΩ 1/2W J	W1729	NRSA63J-0R0X	MG RESISTOR	0Ω 1/16W J
R1932	NRSA63J-123X	MG RESISTOR	12kΩ 1/16W J	W1801	NRSA63J-0R0X	MG RESISTOR	0Ω 1/16W J
R1933	NRSA63J-123X	MG RESISTOR	12kΩ 1/16W J	W1802	NRSA63J-0R0X	MG RESISTOR	0Ω 1/16W J
R1934	NRSA63J-273X	MG RESISTOR	27kΩ 1/16W J	W1815	NRSA63J-0R0X	MG RESISTOR	0Ω 1/16W J
R1935	NRSA63J-333X	MG RESISTOR	33kΩ 1/16W J	W1836	NRSA63J-0R0X	MG RESISTOR	0Ω 1/16W J
R1936	QRE121J-103Y	C RESISTOR	10kΩ 1/2W J	X1701	QAX0717-001Z	CRYSTAL	8.000MHz
R1938	QRE121J-103Y	C RESISTOR	10kΩ 1/2W J	Y1251	NRSA63J-0R0X	MG RESISTOR	0Ω 1/16W J
R1939	QRE121J-103Y	C RESISTOR	10kΩ 1/2W J	Y1501	NRSA63J-0R0X	MG RESISTOR	0Ω 1/16W J
R1941	QRG029J-180	OMF RESISTOR	18Ω 2W J	Y1601	NRSA63J-0R0X	MG RESISTOR	0Ω 1/16W J
R1942	QRE121J-5R6Y	C RESISTOR	5.6Ω 1/2W J	Y1602	NRSA63J-0R0X	MG RESISTOR	0Ω 1/16W J
R1943	QRE121J-820Y	C RESISTOR	82Ω 1/2W J	Y1605	NRSA63J-0R0X	MG RESISTOR	0Ω 1/16W J
ΔR1991	QRZ9041-275	C RESISTOR	2.7MΩ 1/2W K	Y1854	NRSA63J-0R0X	MG RESISTOR	0Ω 1/16W J
L1101	QQLZ014-R39	COIL	0.39uH 100mA L				
L1131	QQL244K-220Z	COIL	22uH K				
L1161	QQL244K-220Z	COIL	22uH K				
L1232	QQL244K-560Z	COIL	56uH K				
L1251	QQL244K-4R7Z	COIL	4.7uH K				
L1281	QQL244K-150Z	COIL	15uH K				
L1291	QQL244K-150Z	COIL	15uH K				
L1341	QQL03BJ-390Z	P COIL	39uH J				
L1521	QQR1027-004	LINEARITY COIL					
L1921	QQL26AK-470Z	COIL	47uH K				
L1922	QQL26AK-470Z	COIL	47uH K				

[AV-27D104/SA]
MAIN PW BOARD ASS'Y (SFE-1025A-M2)

△Ref No.	Part No.	Part Name	Description	Local
IC1101	M52342SP	IC		
IC1201	TM8812CPDNG4N35	IC(MCU)		
IC1251	TC90A49P	IC		
△IC1421	AN5522	IC		
△IC1602	LA4446	IC		
IC1603	CXA2134Q-X	IC		
IC1702	AT24WC-27D104R	IC	(SERVICE)	
IC1703	S-80840CNY-T	IC		
IC1704	AN78L05-T	IC		
IC1751	GP1UM281QK	IR DETECT UNIT		
IC1851	TA1218AN	IC		
IC1901	STR-G5624A/F8	IC		
IC1921	AN7809F	IC		
IC1922	UPC7805AHF	IC		
Q1001	UN2212-X	DIGI TRANSISTOR		
Q1101	2SC5083/L-P/-T	TRANSISTOR		
Q1131	2SB709A/QR/-X	TRANSISTOR		
Q1161	2SD601A/QR/-X	TRANSISTOR		
Q1211	2SD601A/QR/-X	TRANSISTOR		
Q1232	2SD601A/QR/-X	TRANSISTOR		
Q1233	2SD601A/QR/-X	TRANSISTOR		
Q1251	2SD601A/QR/-X	TRANSISTOR		
Q1252	2SD601A/QR/-X	TRANSISTOR		
Q1281	2SB709A/QR/-X	TRANSISTOR		
Q1282	2SD601A/QR/-X	TRANSISTOR		
Q1283	2SB709A/QR/-X	TRANSISTOR		
Q1291	2SB709A/QR/-X	TRANSISTOR		
Q1292	2SD601A/QR/-X	TRANSISTOR		
Q1293	2SB709A/QR/-X	TRANSISTOR		
Q1301	2SC4544-LB	POW TRANSISTOR		
Q1311	2SC4544-LB	POW TRANSISTOR		
Q1321	2SC4544-LB	POW TRANSISTOR		
Q1331	2SD601A/QR/-X	TRANSISTOR		
Q1332	2SD601A/QR/-X	TRANSISTOR		
Q1352	2SD601A/QR/-X	TRANSISTOR		
Q1501	2SC4212/Z1/	TRANSISTOR		
△Q1521	2SD2634-YD	TRANSISTOR	H OUT	
Q1602	2SD601A/QR/-X	TRANSISTOR		
Q1681	2SD601A/QR/-X	TRANSISTOR		
Q1682	2SD601A/QR/-X	TRANSISTOR		
Q1683	2SD601A/QR/-X	TRANSISTOR		
Q1684	2SD601A/QR/-X	TRANSISTOR		
Q1701	2SB709A/QR/-X	TRANSISTOR		
Q1751	UN2112-X	DIGI TRANSISTOR		
Q1851	2SB709A/QR/-X	TRANSISTOR		
Q1921	2SD1383K/AB/-X	TRANSISTOR		
Q1922	2SC2785/JH/-T	SI TRANSISTOR		
Q1923	2SA1037AK/QR/-X	TRANSISTOR		
Q1924	2SA1208/ST/Z1-T	TRANSISTOR		
D1331	1SS133-T2	SI DIODE		
D1352	MTZJ9.1C-T2	Z.DIODE I M		
D1353	1SS133-T2	SI DIODE		
D1365	1SS133-T2	SI DIODE		
D1366	1SS133-T2	SI DIODE		
D1367	1SS133-T2	SI DIODE		
D1368	MTZJ5.1B-T2	Z DIODE		
D1369	MTZJ5.1B-T2	Z DIODE		
D1370	MTZJ5.1B-T2	Z DIODE		
D1401	1SR35-400A-T2	SI DIODE		
D1402	MTZJ75-T2	Z DIODE		
D1501	MTZJ3.3A-T2	Z DIODE		
D1521	1SR35-400A-T2	SI DIODE		
D1522	RH1S-T3	SI DIODE		
D1523	1SR35-400A-T2	SI DIODE		
D1524	RGPI0J-5025-T3	SI DIODE		
D1525	MTZJ5.6A-T2	Z DIODE		
D1526	MA4068NZ1/-T2	Z DIODE		
D1661	MTZJ9.1C-T2	Z.DIODE I M		
D1681	MTZJ9.1C-T2	Z.DIODE I M		
D1682	MTZJ9.1C-T2	Z.DIODE I M		
D1683	MTZJ9.1C-T2	Z.DIODE I M		
D1684	MTZJ9.1C-T2	Z.DIODE I M		
D1685	MTZJ9.1C-T2	Z.DIODE I M		
D1686	MTZJ9.1C-T2	Z.DIODE I M		
D1687	MTZJ9.1C-T2	Z.DIODE I M		
D1688	MTZJ9.1C-T2	Z.DIODE I M		
D1705	1SS133-T2	SI DIODE		
D1751	LG22440	LED	POWER / ON TIMER	
D1801	MTZJ9.1C-T2	Z.DIODE I M		
D1802	MTZJ9.1C-T2	Z.DIODE I M		
D1803	MTZJ9.1C-T2	Z.DIODE I M		

△Ref No.	Part No.	Part Name	Description	Local
D1804	MTZJ9.1C-T2	Z.DIODE I M		
D1807	MTZJ9.1C-T2	Z.DIODE I M		
D1831	MTZJ9.1C-T2	Z.DIODE I M		
D1832	MTZJ9.1C-T2	Z.DIODE I M		
D1833	MTZJ9.1C-T2	Z.DIODE I M		
D1834	MTZJ9.1C-T2	Z.DIODE I M		
△D1901	GSIB460-S1	BRIDGE DIODE		
D1902	RGPI0J-5025-T3	SI DIODE		
D1903	RGPI0J-5025-T3	SI DIODE		
D1904	RGPI0J-5025-T3	SI DIODE		
D1905	SARS01-T2	SI DIODE		
D1907	MA700A-T2	SB DIODE		
D1908	MTZJ15C-T2	Z DIODE		
D1921	1SR35-400A-T2	SI DIODE		
D1922	1SR35-400A-T2	SI DIODE		
D1923	1SR35-400A-T2	SI DIODE		
D1924	1SR35-400A-T2	SI DIODE		
D1925	1SS133-T2	SI DIODE		
D1926	RU3AM-LFC4	SI DIODE		
D1927	RU3YX-LFC4	SI DIODE		
D1928	RU3YX-LFC4	SI DIODE		
D1929	MTZJ7.5A-T2	Z DIODE		
D1930	1SS133-T2	SI DIODE		
D1931	1SS133-T2	SI DIODE		
D1932	MTZJ33B-T2	Z DIODE		
D1933	1N4002G-T2	SI DIODE		
C1001	QETN1HM-475Z	E CAPACITOR	4.7uF 50V M	
C1002	NCB31HK-103X	C CAPACITOR	0.01uF 50V K	
C1003	QETN1VM-476Z	E CAPACITOR	47uF 35V M	
C1004	QETN1AM-477Z	E CAPACITOR	470uF 10V M	
C1005	NCB31HK-103X	C CAPACITOR	0.01uF 50V K	
C1101	NCB31HK-103X	C CAPACITOR	0.01uF 50V K	
C1102	NCB31HK-103X	C CAPACITOR	0.01uF 50V K	
C1104	NCB31HK-103X	C CAPACITOR	0.01uF 50V K	
C1105	NCB31HK-103X	C CAPACITOR	0.01uF 50V K	
C1106	QETN1EM-476Z	E CAPACITOR	47uF 25V M	
C1107	NCB31HK-103X	C CAPACITOR	0.01uF 50V K	
C1113	NCB31HK-103X	C CAPACITOR	0.01uF 50V K	
C1114	NCB31HK-103X	C CAPACITOR	0.01uF 50V K	
C1116	NCB31CK-224X	C CAPACITOR	0.22uF 16V K	
C1117	QETN1EM-476Z	E CAPACITOR	47uF 25V M	
C1118	NCB31HK-103X	C CAPACITOR	0.01uF 50V K	
C1119	NDC31HJ-681X	C CAPACITOR	680pF 50V J	
C1120	QETN1HM-474Z	E CAPACITOR	0.47uF 50V M	
C1124	NCB31HK-103X	C CAPACITOR	0.01uF 50V K	
C1131	NCB31HK-103X	C CAPACITOR	0.01uF 50V K	
C1161	QETN1HM-106Z	E CAPACITOR	10uF 50V M	
C1162	QETN1HM-106Z	E CAPACITOR	10uF 50V M	
C1163	NDC31HJ-470X	C CAPACITOR	47pF 50V J	
C1164	NDC31HJ-470X	C CAPACITOR	47pF 50V J	
C1165	NCB31HK-103X	C CAPACITOR	0.01uF 50V K	
C1166	NCB31HK-103X	C CAPACITOR	0.01uF 50V K	
C1202	QETN1HM-105Z	E CAPACITOR	1uF 50V M	
C1203	NCB31HK-152X	C CAPACITOR	1500pF 50V K	
C1211	QETN1HM-476Z	E CAPACITOR	47uF 50V M	
C1221	QETN1HM-106Z	E CAPACITOR	10uF 50V M	
C1222	NCB31HK-104X	C CAPACITOR	0.1uF 50V K	
C1223	NCB31HK-103X	C CAPACITOR	0.01uF 50V K	
C1233	NDC31HJ-680X	C CAPACITOR	68pF 50V J	
C1237	NCB31HK-103X	C CAPACITOR	0.01uF 50V K	
C1241	NCB31HK-103X	C CAPACITOR	0.01uF 50V K	
C1243	QETN1EM-476Z	E CAPACITOR	47uF 25V M	
C1244	NCB31HK-103X	C CAPACITOR	0.01uF 50V K	
C1247	QETN1HM-225Z	E CAPACITOR	2.2uF 50V M	
C1252	NDC31HJ-101X	C CAPACITOR	100pF 50V J	
C1253	NDC31HJ-470X	C CAPACITOR	47pF 50V J	
C1254	NDC31HJ-181X	C CAPACITOR	180pF 50V J	
C1261	NCB31HK-103X	C CAPACITOR	0.01uF 50V K	
C1262	QETN1EM-476Z	E CAPACITOR	47uF 25V M	
C1263	NCB31HK-103X	C CAPACITOR	0.01uF 50V K	
C1264	NCB31HK-103X	C CAPACITOR	0.01uF 50V K	
C1265	QETN1HM-474Z	E CAPACITOR	0.47uF 50V M	
C1266	NCB31HK-103X	C CAPACITOR	0.01uF 50V K	
C1267	NCB31HK-103X	C CAPACITOR	0.01uF 50V K	
C1268	QETN1EM-476Z	E CAPACITOR	47uF 25V M	
C1269	NCB31HK-103X	C CAPACITOR	0.01uF 50V K	
C1270	QETN1EM-476Z	E CAPACITOR	47uF 25V M	
C1272	NCB31HK-103X	C CAPACITOR	0.01uF 50V K	
C1273	NCB31HK-103X	C CAPACITOR	0.01uF 50V K	
C1274	NDC31HJ-181X	C CAPACITOR	180pF 50V J	
C1275	QETN1EM-476Z	E CAPACITOR	47uF 25V M	
C1276	NCB31HK-103X	C CAPACITOR	0.01uF 50V K	
C1277	NCB31HK-103X	C CAPACITOR	0.01uF 50V K	
C1278	NCB31HK-103X	C CAPACITOR	0.01uF 50V K	
C1283	NDC31HJ-330X	C CAPACITOR	33pF 50V J	
C1293	NDC31HJ-470X	C CAPACITOR	47pF 50V J	

△Ref No.	Part No.	Part Name	Description	Local	△Ref No.	Part No.	Part Name	Description	Local
C1302	NDC31HJ-331X	C CAPACITOR	330pF 50V J		C1688	QETN1HM-106Z	E CAPACITOR	10uF 50V M	
C1312	NDC31HJ-271X	C CAPACITOR	270pF 50V J		C1689	QETN1CM-336Z	E CAPACITOR	33uF 16V M	
C1322	NDC31HJ-271X	C CAPACITOR	270pF 50V J		C1701	NCB31HK-102X	C CAPACITOR	1000pF 50V K	
C1331	QETN1HM-105Z	E CAPACITOR	1uF 50V M		C1702	QETN1HM-106Z	E CAPACITOR	10uF 50V M	
C1341	QETN1CM-107Z	E CAPACITOR	100uF 16V M		C1703	QETN1HM-106Z	E CAPACITOR	10uF 50V M	
△C1343	QCZ0121-102	C CAPACITOR	1000pF 3KV		C1704	QETN1EM-476Z	E CAPACITOR	47uF 25V M	
C1352	QETN1EM-476Z	E CAPACITOR	47uF 25V M		C1705	NCB31HK-103X	C CAPACITOR	0.01uF 50V K	
C1354	NCB31HK-103X	C CAPACITOR	0.01uF 50V K		C1708	NDC31HJ-220X	C CAPACITOR	22pF 50V J	
C1361	QETN1EM-476Z	E CAPACITOR	47uF 25V M		C1709	NDC31HJ-220X	C CAPACITOR	22pF 50V J	
C1362	NCB31HK-103X	C CAPACITOR	0.01uF 50V K		C1711	QETN1EM-476Z	E CAPACITOR	47uF 25V M	
C1401	QFV1HJ-474Z	MF CAPACITOR	0.47uF 50V J		C1712	NCB31HK-103X	C CAPACITOR	0.01uF 50V K	
C1402	NCB31HK-102X	C CAPACITOR	1000pF 50V K		C1716	QETN1HM-106Z	E CAPACITOR	10uF 50V M	
C1403	QENC1CM-106Z	BP E CAPACITOR	10uF 16V M		C1751	QETN1EM-476Z	E CAPACITOR	47uF 25V M	
C1404	NCB31HK-222X	C CAPACITOR	2200pF 50V K		C1801	QETN1HM-106Z	E CAPACITOR	10uF 50V M	
C1405	QETN1HM-106Z	E CAPACITOR	10uF 50V M		C1802	QETN1HM-106Z	E CAPACITOR	10uF 50V M	
C1406	NCB31HK-102X	C CAPACITOR	1000pF 50V K		C1803	QETN1HM-105Z	E CAPACITOR	1uF 50V M	
C1407	QETN1VM-107Z	E CAPACITOR	100uF 35V M		C1804	QETN1HM-106Z	E CAPACITOR	10uF 50V M	
C1408	QCS32HJ-100Z	C CAPACITOR	10pF 500V J		C1807	NCB31HK-103X	C CAPACITOR	0.01uF 50V K	
C1409	QFLC2AK-104Z	M CAPACITOR	0.1uF 100V K		C1815	NCB31HK-103X	C CAPACITOR	0.01uF 50V K	
C1410	QFLC2AK-104Z	M CAPACITOR	0.1uF 100V K		C1831	NCB31HK-104X	C CAPACITOR	0.1uF 50V K	
C1411	QETM1VM-228	E CAPACITOR	2200uF 35V M		C1832	NCB31HK-104X	C CAPACITOR	0.1uF 50V K	
C1412	QETN1HM-225Z	E CAPACITOR	2.2uF 50V M		C1833	NCB31HK-104X	C CAPACITOR	0.1uF 50V K	
C1501	QETN1EM-476Z	E CAPACITOR	47uF 25V M		C1834	QETN1HM-106Z	E CAPACITOR	10uF 50V M	
C1502	NCB31HK-103X	C CAPACITOR	0.01uF 50V K		C1851	NCB31HK-103X	C CAPACITOR	0.01uF 50V K	
C1503	NCB31HK-103X	C CAPACITOR	0.01uF 50V K		C1852	NCB31HK-103X	C CAPACITOR	0.01uF 50V K	
C1504	QETN1HM-225Z	E CAPACITOR	2.2uF 50V M		C1853	QETN1HM-106Z	E CAPACITOR	10uF 50V M	
C1505	NCB31AK-474X	C CAPACITOR	0.47uF 10V K		C1854	NCB31HK-103X	C CAPACITOR	0.01uF 50V K	
C1506	QETN1EM-476Z	E CAPACITOR	47uF 25V M		C1855	NCB31HK-103X	C CAPACITOR	0.01uF 50V K	
C1507	NCB31HK-103X	C CAPACITOR	0.01uF 50V K		C1856	NCB31HK-103X	C CAPACITOR	0.01uF 50V K	
C1508	QCB32HK-151Z	C CAPACITOR	150pF 500V K		C1857	QETN1HM-106Z	E CAPACITOR	10uF 50V M	
C1509	QCB32HK-331Z	C CAPACITOR	330pF 500V K		C1858	NCB31HK-103X	C CAPACITOR	0.01uF 50V K	
C1510	QETN2EM-225Z	E CAPACITOR	2.2uF 250V M		C1859	NCB31HK-103X	C CAPACITOR	0.01uF 50V K	
C1522	QFZ0198-133	MPP CAPACITOR	0.013uF 1.5KV		C1860	NCB31HK-103X	C CAPACITOR	0.01uF 50V K	
C1523	QFZ0199-564	MPP CAPACITOR	0.56uF 250V K		C1861	QETN1EM-476Z	E CAPACITOR	47uF 25V M	
C1524	QCB32HK-561Z	C CAPACITOR	560pF 500V K		C1862	QETN1HM-106Z	E CAPACITOR	10uF 50V M	
C1525	QEZO203-107	E CAPACITOR	100uF 160V M		△C1901	QFZ9072-104	MM CAPACITOR	0.1uF AC250V K	
C1526	QFLC1HJ-823Z	M CAPACITOR	0.082uF 50V J		△C1902	QFZ9072-104	MM CAPACITOR	0.1uF AC250V K	
C1527	QETN2EM-106Z	E CAPACITOR	10uF 250V M		C1903	QEZO561-477	E CAPACITOR	470uF 200V	
C1528	QETN1VM-108Z	E CAPACITOR	1000uF 35V M		△C1904	QCZ9054-102	C CAPACITOR	1000pF AC250V Z	
C1529	QETN1VM-476Z	E CAPACITOR	47uF 35V M		△C1905	QCZ9054-102	C CAPACITOR	1000pF AC250V Z	
C1530	QFLC2AK-104Z	M CAPACITOR	0.1uF 100V K		C1907	QETN1HM-476Z	E CAPACITOR	47uF 50V M	
C1614	QETN1CM-477Z	E CAPACITOR	470uF 16V M		C1908	QCZ0340-332	C CAPACITOR	3300pF 2kV K	
C1616	QETN1HM-475Z	E CAPACITOR	4.7uF 50V M		C1909	NCB31HK-182X	C CAPACITOR	1800pF 50V K	
C1617	QETN1CM-227Z	E CAPACITOR	220uF 16V M		C1910	NDC31HJ-471X	C CAPACITOR	470pF 50V J	
C1618	QETN1CM-107Z	E CAPACITOR	100uF 16V M		C1911	QFP32GJ-103Z	PP CAPACITOR	0.01uF 400V J	
C1619	QETN1CM-477Z	E CAPACITOR	470uF 16V M		C1921	QETN1EM-477Z	E CAPACITOR	470uF 25V M	
C1620	NCF31CZ-104X	C CAPACITOR	0.1uF 16V Z		C1923	QEZO203-107	E CAPACITOR	100uF 160V M	
C1622	QETN1HM-475Z	E CAPACITOR	4.7uF 50V M		C1924	QETN2CM-476Z	E CAPACITOR	47uF 160V M	
C1623	QETN1CM-227Z	E CAPACITOR	220uF 16V M		C1925	QETN1CM-108Z	E CAPACITOR	1000uF 16V M	
C1624	QETN1CM-107Z	E CAPACITOR	100uF 16V M		C1926	QETN1CM-107Z	E CAPACITOR	100uF 16V M	
C1625	QETN1CM-477Z	E CAPACITOR	470uF 16V M		C1927	QETN1CM-477Z	E CAPACITOR	470uF 16V M	
C1626	NCF31CZ-104X	C CAPACITOR	0.1uF 16V Z		C1929	QCZ0340-102	C CAPACITOR	1000pF 2kV K	
C1627	QETN1CM-227Z	E CAPACITOR	220uF 16V M		C1930	QCB32HK-102Z	C CAPACITOR	1000pF 500V K	
C1651	QENC1HM-475Z	BP E CAPACITOR	4.7uF 50V M		C1931	QCB32HK-102Z	C CAPACITOR	1000pF 500V K	
C1652	NCB31HK-104X	C CAPACITOR	0.1uF 50V K		C1932	QETN0JM-107Z	E CAPACITOR	100uF 6.3V M	
C1653	QENC1HM-475Z	BP E CAPACITOR	4.7uF 50V M		C1933	QETN1VM-476Z	E CAPACITOR	47uF 35V M	
C1654	NCB31HK-562X	C CAPACITOR	5600pF 50V K		C1935	QETN1CM-476Z	E CAPACITOR	47uF 16V M	
C1655	NCB31HK-123X	C CAPACITOR	0.012uF 50V K		C1940	NCB31HK-103X	C CAPACITOR	0.01uF 50V K	
C1656	QETN1HM-105Z	E CAPACITOR	1uF 50V M		C1941	QETN1CM-107Z	E CAPACITOR	100uF 16V M	
C1657	QETN1HM-106Z	E CAPACITOR	10uF 50V M		C1942	QETN1CM-107Z	E CAPACITOR	100uF 16V M	
C1658	QETN1HM-106Z	E CAPACITOR	10uF 50V M		C1943	NCB31HK-103X	C CAPACITOR	0.01uF 50V K	
C1659	QETN1HM-475Z	E CAPACITOR	4.7uF 50V M		C1944	QETN1CM-107Z	E CAPACITOR	100uF 16V M	
C1660	QETN1EM-476Z	E CAPACITOR	47uF 25V M		C1945	NCB31HK-103X	C CAPACITOR	0.01uF 50V K	
C1661	NCB31HK-103X	C CAPACITOR	0.01uF 50V K		△C1991	QCZ9074-103	C CAPACITOR	0.01uF 250V	
C1662	QENC1HM-475Z	BP E CAPACITOR	4.7uF 50V M		△C1992	QCZ9074-103	C CAPACITOR	0.01uF 250V	
C1663	QETN1HM-475Z	E CAPACITOR	4.7uF 50V M						
C1664	QENC1HM-475Z	BP E CAPACITOR	4.7uF 50V M		R1003	NRSA63J-221X	MG RESISTOR	220Ω 1/16W J	
C1665	NCB31HK-272X	C CAPACITOR	2700pF 50V K		R1004	NRSA63J-221X	MG RESISTOR	220Ω 1/16W J	
C1666	NCB31HK-473X	C CAPACITOR	0.047uF 50V K		R1005	NRSA63J-0R0X	MG RESISTOR	0Ω 1/16W J	
C1667	QETN1HM-335Z	E CAPACITOR	3.3uF 50V M		R1006	NRSA63J-223X	MG RESISTOR	22kΩ 1/16W J	
C1668	QENC1HM-475Z	BP E CAPACITOR	4.7uF 50V M		R1008	NRSA63J-820X	MG RESISTOR	82Ω 1/16W J	
C1669	QETN1HM-106Z	E CAPACITOR	10uF 50V M		R1101	NRSA63J-562X	MG RESISTOR	5.6kΩ 1/16W J	
C1670	QETN1HM-105Z	E CAPACITOR	1uF 50V M		R1102	NRSA63J-182X	MG RESISTOR	1.8kΩ 1/16W J	
C1671	QETN1HM-106Z	E CAPACITOR	10uF 50V M		R1103	QRE121J-101Y	C RESISTOR	100Ω 1/2W J	
C1672	QETN1HM-106Z	E CAPACITOR	10uF 50V M		R1104	NRSA63J-180X	MG RESISTOR	18Ω 1/16W J	
C1673	NCB31HK-223X	C CAPACITOR	0.022uF 50V K		R1105	NRSA63J-270X	MG RESISTOR	27Ω 1/16W J	
C1674	NCB31HK-472X	C CAPACITOR	4700pF 50V K		R1111	NRSA63J-394X	MG RESISTOR	390kΩ 1/16W J	
C1675	QENC1HM-475Z	BP E CAPACITOR	4.7uF 50V M		R1112	NRSA63J-334X	MG RESISTOR	330kΩ 1/16W J	
C1676	NCB31HK-104X	C CAPACITOR	0.1uF 50V K		R1113	NRSA63J-101X	MG RESISTOR	100Ω 1/16W J	
C1677	NCB31HK-472X	C CAPACITOR	4700pF 50V K		R1115	NRSA63J-101X	MG RESISTOR	100Ω 1/16W J	
C1681	QETN1HM-106Z	E CAPACITOR	10uF 50V M		R1116	NRSA63J-680X	MG RESISTOR	68Ω 1/16W J	
C1682	QETN1HM-106Z	E CAPACITOR	10uF 50V M		R1117	NRSA63J-273X	MG RESISTOR	27kΩ 1/16W J	
C1683	QETN1HM-106Z	E CAPACITOR	10uF 50V M		R1131	NRSA63J-102X	MG RESISTOR	1kΩ 1/16W J	
C1684	QETN1HM-106Z	E CAPACITOR	10uF 50V M		R1132	NRSA63J-221X	MG RESISTOR	220Ω 1/16W J	
C1685	QETN1HM-106Z	E CAPACITOR	10uF 50V M		R1133	NRSA63J-821X	MG RESISTOR	820Ω 1/16W J	
C1686	QETN1HM-106Z	E CAPACITOR	10uF 50V M		R1134	NRSA63J-681X	MG RESISTOR	680Ω 1/16W J	
C1687	QETN1HM-106Z	E CAPACITOR	10uF 50V M		R1135	NRSA63J-102X	MG RESISTOR	1kΩ 1/16W J	

△Ref No.	Part No.	Part Name	Description	Local	△Ref No.	Part No.	Part Name	Description	Local
R1161	NRSA63J-332X	MG RESISTOR	3.3kΩ 1/16W J		R1507	NRSA63J-561X	MG RESISTOR	560Ω 1/16W J	
R1163	NRSA63J-223X	MG RESISTOR	22kΩ 1/16W J		R1508	NRSA63J-101X	MG RESISTOR	100Ω 1/16W J	
R1164	NRSA63J-102X	MG RESISTOR	1kΩ 1/16W J		R1509	NRSA63J-271X	MG RESISTOR	270Ω 1/16W J	
R1165	NRSA63J-223X	MG RESISTOR	22kΩ 1/16W J		R1510	QRE121J-103Y	C RESISTOR	10kΩ 1/2W J	
R1166	NRSA63J-103X	MG RESISTOR	10kΩ 1/16W J		R1511	QRG029J-182	OMF RESISTOR	1.8kΩ 2W J	
R1167	NRSA63J-102X	MG RESISTOR	1kΩ 1/16W J		R1512	QRG029J-182	OMF RESISTOR	1.8kΩ 2W J	
R1168	NRSA63J-101X	MG RESISTOR	100Ω 1/16W J		R1521	QRE121J-220Y	C RESISTOR	22Ω 1/2W J	
R1169	NRSA63J-561X	MG RESISTOR	560Ω 1/16W J		R1522	QRE121J-681Y	C RESISTOR	680Ω 1/2W J	
R1171	NRSA63J-103X	MG RESISTOR	10kΩ 1/16W J		R1523	QRL039J-152	OMF RESISTOR	1.5kΩ 3W J	
R1201	NRSA63J-223X	MG RESISTOR	22kΩ 1/16W J		R1524	QRE121J-224Y	C RESISTOR	220kΩ 1/2W J	
R1212	NRSA63J-272X	MG RESISTOR	2.7kΩ 1/16W J		R1525	QRE121J-184Y	C RESISTOR	180kΩ 1/2W J	
R1215	NRSA63J-562X	MG RESISTOR	5.6kΩ 1/16W J		R1526	QRK129J-150	UNF C RESISTOR	15Ω 1/2W J	
R1216	NRSA63J-562X	MG RESISTOR	5.6kΩ 1/16W J		R1527	QRX01GJ-1R0	MF RESISTOR	1Ω 1W J	
R1217	NRSA63J-102X	MG RESISTOR	1kΩ 1/16W J		R1528	QRE121J-103Y	C RESISTOR	10kΩ 1/2W J	
R1227	NRSA63J-104X	MG RESISTOR	100kΩ 1/16W J		R1529	QRK126J-4R7X	UNF C RESISTOR	4.7Ω 1/2W J	
R1231	NRSA63J-182X	MG RESISTOR	1.8kΩ 1/16W J		R1530	QRX029J-1R5	MF RESISTOR	1.5Ω 2W J	
R1232	NRSA63J-392X	MG RESISTOR	3.9kΩ 1/16W J		R1531	NRZ0032-7151X	CMF RESISTOR	7.15kΩ	
R1233	NRSA63J-332X	MG RESISTOR	3.3kΩ 1/16W J		R1533	NRZ0032-2941X	CMF RESISTOR	2.94kΩ	
R1234	NRSA63J-152X	MG RESISTOR	1.5kΩ 1/16W J		R1541	QRE121J-683Y	C RESISTOR	68kΩ 1/2W J	
R1235	NRSA63J-102X	MG RESISTOR	1kΩ 1/16W J		R1614	QRL039J-100	OMF RESISTOR	10Ω 3W J	
R1251	NRSA63J-332X	MG RESISTOR	3.3kΩ 1/16W J		R1615	NRSA63J-123X	MG RESISTOR	12kΩ 1/16W J	
R1252	NRSA63J-103X	MG RESISTOR	10kΩ 1/16W J		R1616	NRSA63J-123X	MG RESISTOR	12kΩ 1/16W J	
R1253	NRSA63J-102X	MG RESISTOR	1kΩ 1/16W J		R1617	NRSA63J-332X	MG RESISTOR	3.3kΩ 1/16W J	
R1254	NRSA63J-181X	MG RESISTOR	180Ω 1/16W J		R1618	NRSA63J-332X	MG RESISTOR	3.3kΩ 1/16W J	
R1255	NRSA63J-152X	MG RESISTOR	1.5kΩ 1/16W J		R1619	NRSA63J-471X	MG RESISTOR	470Ω 1/16W J	
R1256	NRSA63J-152X	MG RESISTOR	1.5kΩ 1/16W J		R1620	NRSA63J-471X	MG RESISTOR	470Ω 1/16W J	
R1257	NRSA63J-222X	MG RESISTOR	2.2kΩ 1/16W J		R1621	QRE121J-4R7Y	C RESISTOR	4.7Ω 1/2W J	
R1261	NRSA63J-101X	MG RESISTOR	100Ω 1/16W J		R1622	QRE121J-4R7Y	C RESISTOR	4.7Ω 1/2W J	
R1262	NRSA63J-101X	MG RESISTOR	100Ω 1/16W J		R1625	NRSA63J-103X	MG RESISTOR	10kΩ 1/16W J	
R1263	NRSA63J-101X	MG RESISTOR	100Ω 1/16W J		R1627	NRSA63J-101X	MG RESISTOR	100Ω 1/16W J	
R1264	NRSA63J-821X	MG RESISTOR	820Ω 1/16W J		R1631	QRX029J-3R3	MF RESISTOR	3.3Ω 2W J	
R1282	NRSA63J-222X	MG RESISTOR	2.2kΩ 1/16W J		R1651	NRSA63J-101X	MG RESISTOR	100Ω 1/16W J	
R1283	NRSA63J-821X	MG RESISTOR	820Ω 1/16W J		R1652	NRSA63J-101X	MG RESISTOR	100Ω 1/16W J	
R1285	NRSA63J-331X	MG RESISTOR	330Ω 1/16W J		R1653	NRSA63J-105X	MG RESISTOR	1MΩ 1/16W J	
R1286	NRSA63J-102X	MG RESISTOR	1kΩ 1/16W J		R1654	NRSA63J-104X	MG RESISTOR	100kΩ 1/16W J	
R1287	NRSA63J-102X	MG RESISTOR	1kΩ 1/16W J		R1655	NRSA63J-682X	MG RESISTOR	6.8kΩ 1/16W J	
R1288	NRSA63J-0R0X	MG RESISTOR	0Ω 1/16W J		R1656	NRSA63J-123X	MG RESISTOR	12kΩ 1/16W J	
R1292	NRSA63J-222X	MG RESISTOR	2.2kΩ 1/16W J		R1657	NRSA63F-623X	MG RESISTOR	62kΩ 1/16W F	
R1293	NRSA63J-471X	MG RESISTOR	470Ω 1/16W J		R1658	NRSA63J-332X	MG RESISTOR	3.3kΩ 1/16W J	
R1295	NRSA63J-331X	MG RESISTOR	330Ω 1/16W J		R1659	NRSA63J-302X	MG RESISTOR	3kΩ 1/16W J	
R1296	NRSA63J-102X	MG RESISTOR	1kΩ 1/16W J		R1661	NRSA63J-392X	MG RESISTOR	3.9kΩ 1/16W J	
R1297	NRSA63J-102X	MG RESISTOR	1kΩ 1/16W J		R1662	NRSA63J-681X	MG RESISTOR	680Ω 1/16W J	
R1298	NRSA63J-0R0X	MG RESISTOR	0Ω 1/16W J		R1663	NRSA63J-681X	MG RESISTOR	680Ω 1/16W J	
R1301	NRSA63J-151X	MG RESISTOR	150Ω 1/16W J		R1664	NRSA63J-101X	MG RESISTOR	100Ω 1/16W J	
R1302	QRL029J-123	OMF RESISTOR	12kΩ 2W J		R1665	NRSA63J-101X	MG RESISTOR	100Ω 1/16W J	
R1303	QRZ0111-152	C RESISTOR	1.5kΩ 1/2W K		R1666	NRSA63J-101X	MG RESISTOR	100Ω 1/16W J	
R1304	NRSA63J-332X	MG RESISTOR	3.3kΩ 1/16W J		R1667	NRSA63J-101X	MG RESISTOR	100Ω 1/16W J	
R1305	NRSA63J-271X	MG RESISTOR	270Ω 1/16W J		R1681	NRSA63J-681X	MG RESISTOR	680Ω 1/16W J	
R1306	NRSA63J-101X	MG RESISTOR	100Ω 1/16W J		R1682	NRSA63J-681X	MG RESISTOR	680Ω 1/16W J	
R1311	NRSA63J-151X	MG RESISTOR	150Ω 1/16W J		R1683	NRSA63J-223X	MG RESISTOR	22kΩ 1/16W J	
R1312	QRL029J-123	OMF RESISTOR	12kΩ 2W J		R1684	NRSA63J-223X	MG RESISTOR	22kΩ 1/16W J	
R1313	QRZ0111-152	C RESISTOR	1.5kΩ 1/2W K		R1685	NRSA63J-223X	MG RESISTOR	22kΩ 1/16W J	
R1314	NRSA63J-332X	MG RESISTOR	3.3kΩ 1/16W J		R1686	NRSA63J-223X	MG RESISTOR	22kΩ 1/16W J	
R1315	NRSA63J-271X	MG RESISTOR	270Ω 1/16W J		R1687	NRSA63J-221X	MG RESISTOR	220Ω 1/16W J	
R1316	NRSA63J-101X	MG RESISTOR	100Ω 1/16W J		R1688	NRSA63J-221X	MG RESISTOR	220Ω 1/16W J	
R1321	NRSA63J-151X	MG RESISTOR	150Ω 1/16W J		R1691	NRSA63J-823X	MG RESISTOR	82kΩ 1/16W J	
R1322	QRL029J-123	OMF RESISTOR	12kΩ 2W J		R1692	NRSA63J-823X	MG RESISTOR	82kΩ 1/16W J	
R1323	QRZ0111-152	C RESISTOR	1.5kΩ 1/2W K		R1701	NRSA63J-102X	MG RESISTOR	1kΩ 1/16W J	
R1324	NRSA63J-332X	MG RESISTOR	3.3kΩ 1/16W J		R1702	NRSA63J-102X	MG RESISTOR	1kΩ 1/16W J	
R1325	NRSA63J-271X	MG RESISTOR	270Ω 1/16W J		R1703	NRSA63J-103X	MG RESISTOR	10kΩ 1/16W J	
R1326	NRSA63J-101X	MG RESISTOR	100Ω 1/16W J		R1704	NRSA63J-472X	MG RESISTOR	4.7kΩ 1/16W J	
R1331	NRSA63J-223X	MG RESISTOR	22kΩ 1/16W J		R1705	NRSA63J-472X	MG RESISTOR	4.7kΩ 1/16W J	
R1332	NRSA63J-101X	MG RESISTOR	100Ω 1/16W J		R1706	NRSA63J-472X	MG RESISTOR	4.7kΩ 1/16W J	
R1333	NRSA63J-103X	MG RESISTOR	10kΩ 1/16W J		R1707	NRSA63J-103X	MG RESISTOR	10kΩ 1/16W J	
R1354	NRSA63J-331X	MG RESISTOR	330Ω 1/16W J		R1708	NRSA63J-101X	MG RESISTOR	100Ω 1/16W J	
R1356	NRSA63J-123X	MG RESISTOR	12kΩ 1/16W J		R1709	NRSA63J-101X	MG RESISTOR	100Ω 1/16W J	
R1359	NRSA63J-103X	MG RESISTOR	10kΩ 1/16W J		R1714	NRSA63J-823X	MG RESISTOR	82kΩ 1/16W J	
R1360	NRSA63J-0R0X	MG RESISTOR	0Ω 1/16W J		R1715	NRSA63J-101X	MG RESISTOR	100Ω 1/16W J	
R1364	NRSA63J-101X	MG RESISTOR	100Ω 1/16W J		R1718	NRSA63J-223X	MG RESISTOR	22kΩ 1/16W J	
R1365	NRSA63J-101X	MG RESISTOR	100Ω 1/16W J		R1720	QRJ149J-1R0	UNF C RESISTOR	1Ω 1/4W J	
R1366	NRSA63J-101X	MG RESISTOR	100Ω 1/16W J		R1721	NRSA63J-102X	MG RESISTOR	1kΩ 1/16W J	
R1401	NRSA63J-102X	MG RESISTOR	1kΩ 1/16W J		R1729	NRSA63J-223X	MG RESISTOR	22kΩ 1/16W J	
R1402	NRSA63J-472X	MG RESISTOR	4.7kΩ 1/16W J		R1731	NRSA63J-101X	MG RESISTOR	100Ω 1/16W J	
R1403	NRSA63J-103X	MG RESISTOR	10kΩ 1/16W J		R1732	NRSA63J-101X	MG RESISTOR	100Ω 1/16W J	
R1405	NRSA63J-103X	MG RESISTOR	10kΩ 1/16W J		R1733	NRSA63J-472X	MG RESISTOR	4.7kΩ 1/16W J	
R1407	QRE121J-681Y	C RESISTOR	680Ω 1/2W J		R1734	NRSA63J-472X	MG RESISTOR	4.7kΩ 1/16W J	
R1408	QRE121J-681Y	C RESISTOR	680Ω 1/2W J		R1739	NRSA63J-272X	MG RESISTOR	2.7kΩ 1/16W J	
R1409	QRX01GJ-1R0	MF RESISTOR	1Ω 1W J		R1740	NRSA63J-101X	MG RESISTOR	100Ω 1/16W J	
R1411	NRSA63J-123X	MG RESISTOR	12kΩ 1/16W J		R1751	NRSA63J-102X	MG RESISTOR	1kΩ 1/16W J	
R1412	NRSA63J-153X	MG RESISTOR	15kΩ 1/16W J		R1752	NRSA63J-102X	MG RESISTOR	1kΩ 1/16W J	
R1414	NRSA63J-103X	MG RESISTOR	10kΩ 1/16W J		R1753	NRSA63J-152X	MG RESISTOR	1.5kΩ 1/16W J	
R1416	QRE121J-102Y	C RESISTOR	1kΩ 1/2W J		R1754	NRSA63J-272X	MG RESISTOR	2.7kΩ 1/16W J	
R1501	NRSA63J-472X	MG RESISTOR	4.7kΩ 1/16W J		R1755	NRSA63J-562X	MG RESISTOR	5.6kΩ 1/16W J	
R1502	NRSA63J-681X	MG RESISTOR	680Ω 1/16W J		R1756	NRSA63J-122X	MG RESISTOR	1.2kΩ 1/16W J	
R1504	NRSA63J-392X	MG RESISTOR	3.9kΩ 1/16W J		R1757	NRSA63J-101X	MG RESISTOR	100Ω 1/16W J	
R1505	NRSA63J-154X	MG RESISTOR	150kΩ 1/16W J		R1758	NRSA63J-101X	MG RESISTOR	100Ω 1/16W J	
R1506	NRSA63J-471X	MG RESISTOR	470Ω 1/16W J		R1764	NRSA63J-471X	MG RESISTOR	470Ω 1/16W J	

△Ref No.	Part No.	Part Name	Description	Local	△Ref No.	Part No.	Part Name	Description	Local
R1765	NRSA63J-471X	MG RESISTOR	470Ω 1/16W J		CF1131	QAX0639-001Z	C TRAP	4.500MHz	
R1766	NRSA63J-471X	MG RESISTOR	470Ω 1/16W J		CF1161	QAX0642-001Z	C FILTER	4.500MHz	
R1767	NRSA63J-471X	MG RESISTOR	470Ω 1/16W J		CN100C	QGA2501F1-06	CONNECTOR	W-B (1-6)	
R1768	NRSA63J-682X	MG RESISTOR	6.8kΩ 1/16W J		CN100S	QGA2501C5-04Z	CONNECTOR	W-B (1-4)	
R1769	NRSA63J-102X	MG RESISTOR	1kΩ 1/16W J		CN100T	CHGC05-480	CONNECTOR WIRE		
R1770	NRSA63J-103X	MG RESISTOR	10kΩ 1/16W J		CN100U	CHGC04-400	CONNECTOR ASSY		
R1771	NRSA63J-153X	MG RESISTOR	15kΩ 1/16W J		CN10B1	CH41169-R03Y	EH POST HEADER		
R1772	NRSA63J-103X	MG RESISTOR	10kΩ 1/16W J		CN10E1	CHGT0015-0B	CONNECTOR ASSY		
R1773	NRSA63J-103X	MG RESISTOR	10kΩ 1/16W J		CN10HV	QGZ5004C1-06	CONNECTOR	(1-6)	
R1774	NRSA63J-103X	MG RESISTOR	10kΩ 1/16W J		△CN1DEG	QGA7901C1-02	CONNECTOR	W-B (1-2)	
R1775	NRSA63J-103X	MG RESISTOR	10kΩ 1/16W J		CN1HHS	CH41169-R03Y	EH POST HEADER		
R1776	NRSA63J-101X	MG RESISTOR	100Ω 1/16W J		△F1901	QMF51N1-5R0-J5	FUSE	5A AC125V	
R1777	NRSA63J-101X	MG RESISTOR	100Ω 1/16W J		△FC1901	CEMG002-001Z	FUSE CLIP	(x2)	
R1778	NRSA63J-103X	MG RESISTOR	10kΩ 1/16W J		△H1002	LC30381-001A	HEAT SINK/FE-P/		
R1801	NRSA63J-750X	MG RESISTOR	75Ω 1/16W J		△H1602	CEHE014-001WU	HEAT SINK		
R1802	NRSA63J-750X	MG RESISTOR	75Ω 1/16W J		△HS1004	LC31696-001A	HEAT SINK/AL-F/		
R1803	NRSA63J-750X	MG RESISTOR	75Ω 1/16W J		△HS1009	LC31678-001A	HEAT SINK/AL-F/		
R1804	NRSA63J-750X	MG RESISTOR	75Ω 1/16W J		J1001	QNZ0454-001	AV JACK	S / V / L / R IN	
R1805	NRSA63J-101X	MG RESISTOR	100Ω 1/16W J		J1002	QNN0348-001	PIN JACK	L / R OUT	
R1821	NRSA63J-124X	MG RESISTOR	120kΩ 1/16W J		J1003	QNN0349-002	PIN JACK	V / L / R IN	
R1831	NRSA63J-750X	MG RESISTOR	75Ω 1/16W J		J1004	QNN0348-001	PIN JACK	L / R IN	
R1832	NRSA63J-750X	MG RESISTOR	75Ω 1/16W J		J1005	CEMN065-001	PIN JACK	V IN	
R1833	NRSA63J-750X	MG RESISTOR	75Ω 1/16W J		J1006	CEMN065-002	PIN JACK	L IN	
R1834	NRSA63J-101X	MG RESISTOR	100Ω 1/16W J		J1007	CEMN072-003	PIN JACK	R IN	
R1835	NRSA63J-101X	MG RESISTOR	100Ω 1/16W J		K1001	QQR0582-001Z	FERRITE BEADS		
R1836	NRSA63J-101X	MG RESISTOR	100Ω 1/16W J		K1101	QQR0582-001Z	FERRITE BEADS		
R1851	NRSA63J-101X	MG RESISTOR	100Ω 1/16W J		K1251	QQR0582-001Z	FERRITE BEADS		
R1852	NRSA63J-101X	MG RESISTOR	100Ω 1/16W J		K1253	QQR0582-001Z	FERRITE BEADS		
R1853	NRSA63J-101X	MG RESISTOR	100Ω 1/16W J		K1254	QQR0582-001Z	FERRITE BEADS		
R1854	NRSA63J-101X	MG RESISTOR	100Ω 1/16W J		K1401	QQR0582-001Z	FERRITE BEADS		
R1855	NRSA63J-153X	MG RESISTOR	15kΩ 1/16W J		K1701	QQR0582-001Z	FERRITE BEADS		
R1856	NRSA63J-101X	MG RESISTOR	100Ω 1/16W J		K1702	QQR0582-001Z	FERRITE BEADS		
R1857	NRSA63J-103X	MG RESISTOR	10kΩ 1/16W J		K1901	QQR0582-001Z	FERRITE BEADS		
R1858	NRSA63J-101X	MG RESISTOR	100Ω 1/16W J		K1902	QQR0582-001Z	FERRITE BEADS		
R1859	NRSA63J-101X	MG RESISTOR	100Ω 1/16W J		K1903	QQR0582-001Z	FERRITE BEADS		
R1860	NRSA63J-101X	MG RESISTOR	100Ω 1/16W J		K1904	QQR0582-001Z	FERRITE BEADS		
R1861	NRSA63J-101X	MG RESISTOR	100Ω 1/16W J		K1921	QQR0582-001Z	FERRITE BEADS		
R1862	NRSA63J-104X	MG RESISTOR	100kΩ 1/16W J		K1922	QQR0582-001Z	FERRITE BEADS		
R1863	NRSA63J-473X	MG RESISTOR	47kΩ 1/16W J		K1923	QQR0582-001Z	FERRITE BEADS		
△R1901	QRF074K-R47	UNF WWW RESISTOR	0.47Ω 7W K		△LF1901	QQR0527-003	LINE FILTER		
R1902	QRE121J-473Y	C RESISTOR	47kΩ 1/2W J		△RY1901	QSK0085-001	RELAY		
R1903	QRE121J-473Y	C RESISTOR	47kΩ 1/2W J		S1401	QSL4A13-C02	LEVER SWITCH	V. CENTER	
R1904	QRT029J-R22	MF RESISTOR	0.22Ω 2W J		S1751	QSW0619-003Z	TACT SWITCH	POWER	
R1905	QRT029J-R22	MF RESISTOR	0.22Ω 2W J		S1752	QSW0619-003Z	TACT SWITCH	VOL +	
R1906	QRE121J-2R2Y	C RESISTOR	2.2Ω 1/2W J		S1753	QSW0619-003Z	TACT SWITCH	VOL -	
R1907	QRE121J-472Y	C RESISTOR	4.7kΩ 1/2W J		S1754	QSW0619-003Z	TACT SWITCH	CH +	
R1908	QRK126J-681X	UNF C RESISTOR	680Ω 1/2W J		S1755	QSW0619-003Z	TACT SWITCH	CH-	
R1910	QRE121J-684Y	C RESISTOR	680kΩ 1/2W J		S1756	QSW0619-003Z	TACT SWITCH	MENU	
R1911	QRG01GJ-470	OMF RESISTOR	47Ω 1W J		SF1101	QAX0723-001	SAW FILTER		
R1922	NRSA63J-102X	MG RESISTOR	1kΩ 1/16W J		△SK1351	QNZ0536-001	CRT SOCKET		
R1923	NRSA63J-473X	MG RESISTOR	47kΩ 1/16W J		△TH1901	QAD0129-3R0	P THERMISTOR	3Ω	
R1924	QRX01GJ-1R0	MF RESISTOR	1Ω 1W J		△TU1001	QAU0275-002	TUNER		
R1925	QRX01GJ-1R0	MF RESISTOR	1Ω 1W J		△VA1901	ERZV10V621CS	ZNR		
R1926	QRT029J-1R2	MF RESISTOR	1.2Ω 2W J		W1001	NRSA63J-0R0X	MG RESISTOR	0Ω 1/16W J	
R1927	QRT029J-1R2	MF RESISTOR	1.2Ω 2W J		W1002	NRSA63J-0R0X	MG RESISTOR	0Ω 1/16W J	
R1928	QRE121J-272Y	C RESISTOR	2.7kΩ 1/2W J		W1412	NRSA63J-0R0X	MG RESISTOR	0Ω 1/16W J	
R1929	QRE121J-223Y	C RESISTOR	22kΩ 1/2W J		W1728	NRSA63J-0R0X	MG RESISTOR	0Ω 1/16W J	
R1930	QRE121J-473Y	C RESISTOR	47kΩ 1/2W J		W1729	NRSA63J-0R0X	MG RESISTOR	0Ω 1/16W J	
R1932	NRSA63J-123X	MG RESISTOR	12kΩ 1/16W J		W1801	NRSA63J-0R0X	MG RESISTOR	0Ω 1/16W J	
R1933	NRSA63J-123X	MG RESISTOR	12kΩ 1/16W J		W1802	NRSA63J-0R0X	MG RESISTOR	0Ω 1/16W J	
R1934	NRSA63J-273X	MG RESISTOR	27kΩ 1/16W J		W1815	NRSA63J-0R0X	MG RESISTOR	0Ω 1/16W J	
R1935	NRSA63J-333X	MG RESISTOR	33kΩ 1/16W J		W1836	NRSA63J-0R0X	MG RESISTOR	0Ω 1/16W J	
R1936	QRE121J-103Y	C RESISTOR	10kΩ 1/2W J		X1701	QAX0717-001Z	CRYSTAL	8.000MHz	
R1938	QRE121J-103Y	C RESISTOR	10kΩ 1/2W J		Y1251	NRSA63J-0R0X	MG RESISTOR	0Ω 1/16W J	
R1939	QRE121J-103Y	C RESISTOR	10kΩ 1/2W J		Y1501	NRSA63J-0R0X	MG RESISTOR	0Ω 1/16W J	
R1941	QRG029J-180	OMF RESISTOR	18Ω 2W J		Y1601	NRSA63J-0R0X	MG RESISTOR	0Ω 1/16W J	
R1942	QRE121J-5R6Y	C RESISTOR	5.6Ω 1/2W J		Y1602	NRSA63J-0R0X	MG RESISTOR	0Ω 1/16W J	
R1943	QRE121J-820Y	C RESISTOR	82Ω 1/2W J		Y1605	NRSA63J-0R0X	MG RESISTOR	0Ω 1/16W J	
△R1991	QRZ9041-275	C RESISTOR	2.7MΩ 1/2W K		Y1854	NRSA63J-0R0X	MG RESISTOR	0Ω 1/16W J	
L1101	QQLZ014-R39	COIL	0.39uH 100mA L						
L1131	QQL244K-220Z	COIL	22uH K						
L1161	QQL244K-220Z	COIL	22uH K						
L1232	QQL244K-560Z	COIL	56uH K						
L1251	QQL244K-4R7Z	COIL	4.7uH K						
L1281	QQL244K-150Z	COIL	15uH K						
L1291	QQL244K-150Z	COIL	15uH K						
L1341	QQL03BJ-390Z	P COIL	39uH J						
L1521	QQR1027-004	LINEARITY COIL							
L1921	QQL26AK-470Z	COIL	47uH K						
L1922	QQL26AK-470Z	COIL	47uH K						
T1111	QQR0907-001	IFT							
T1501	CE42034-002	HOR DRIVE TRANS							
△T1901	QQT0355-001	POWER TRANSF							
△T1921	QQS0158-001	SW TRANSF							
CF1001	QAX0349-001	C TRAP							

[AV-27D304/RA]
MAIN PW BOARD ASS'Y (SFE-1022A-M2)

△Ref No.	Part No.	Part Name	Description	Local
IC1101	M52342SP	IC		
IC1201	TM8812CPDNG4N35	IC(MCU)		
IC1251	TC90A49P	IC		
△IC1421	AN5522	IC		
IC1601	NJM2150AD	IC		
△IC1602	LA4446	IC		
IC1603	CXA2134Q-X	IC		
IC1702	AT24WC-27D304R	IC	(SERVICE)	
IC1703	S-80840CNY-T	IC		
IC1704	AN78L05-T	IC		
IC1751	GP1UM281QK	IR DETECT UNIT		
IC1851	TA1218AN	IC		
IC1901	STR-G5624A/F8	IC		
IC1921	AN7809F	IC		
IC1922	UPC7805AHF	IC		
Q1001	UN2212-X	DIGI TRANSISTOR		
Q1101	2SC5083/L-P/-T	TRANSISTOR		
Q1131	2SB709A/QR/-X	TRANSISTOR		
Q1161	2SD601A/QR/-X	TRANSISTOR		
Q1211	2SD601A/QR/-X	TRANSISTOR		
Q1232	2SD601A/QR/-X	TRANSISTOR		
Q1233	2SD601A/QR/-X	TRANSISTOR		
Q1251	2SD601A/QR/-X	TRANSISTOR		
Q1252	2SD601A/QR/-X	TRANSISTOR		
Q1281	2SB709A/QR/-X	TRANSISTOR		
Q1282	2SD601A/QR/-X	TRANSISTOR		
Q1283	2SB709A/QR/-X	TRANSISTOR		
Q1291	2SB709A/QR/-X	TRANSISTOR		
Q1292	2SD601A/QR/-X	TRANSISTOR		
Q1293	2SB709A/QR/-X	TRANSISTOR		
Q1301	2SC4544-LB	POW TRANSISTOR		
Q1311	2SC4544-LB	POW TRANSISTOR		
Q1321	2SC4544-LB	POW TRANSISTOR		
Q1331	2SD601A/QR/-X	TRANSISTOR		
Q1332	2SD601A/QR/-X	TRANSISTOR		
Q1352	2SD601A/QR/-X	TRANSISTOR		
Q1501	2SC4212/Z1/	TRANSISTOR		
△Q1521	2SD2634-YD	TRANSISTOR	H OUT	
Q1602	2SD601A/QR/-X	TRANSISTOR		
Q1681	2SD601A/QR/-X	TRANSISTOR		
Q1682	2SD601A/QR/-X	TRANSISTOR		
Q1683	2SD601A/QR/-X	TRANSISTOR		
Q1684	2SD601A/QR/-X	TRANSISTOR		
Q1701	2SB709A/QR/-X	TRANSISTOR		
Q1751	UN2112-X	DIGI TRANSISTOR		
Q1851	2SB709A/QR/-X	TRANSISTOR		
Q1921	2SD1383K/AB/-X	TRANSISTOR		
Q1922	2SC2785/JH/-T	SI TRANSISTOR		
Q1923	2SA1037AK/QR/-X	TRANSISTOR		
Q1924	2SA1208/ST/Z1-T	TRANSISTOR		
D1331	1SS133-T2	SI DIODE		
D1352	MTZJ9.1C-T2	Z.DIODE I M		
D1353	1SS133-T2	SI DIODE		
D1365	1SS133-T2	SI DIODE		
D1366	1SS133-T2	SI DIODE		
D1367	1SS133-T2	SI DIODE		
D1368	MTZJ5.1B-T2	Z DIODE		
D1369	MTZJ5.1B-T2	Z DIODE		
D1370	MTZJ5.1B-T2	Z DIODE		
D1401	1SR35-400A-T2	SI DIODE		
D1402	MTZJ75-T2	Z DIODE		
D1501	MTZJ3.3A-T2	Z DIODE		
D1521	1SR35-400A-T2	SI DIODE		
D1522	RH1S-T3	SI DIODE		
D1523	1SR35-400A-T2	SI DIODE		
D1524	RGP10J-5025-T3	SI DIODE		
D1525	MTZJ5.6A-T2	Z DIODE		
D1526	MA4068N/Z1/-T2	Z DIODE		
D1661	MTZJ9.1C-T2	Z.DIODE I M		
D1681	MTZJ9.1C-T2	Z.DIODE I M		
D1682	MTZJ9.1C-T2	Z.DIODE I M		
D1683	MTZJ9.1C-T2	Z.DIODE I M		
D1684	MTZJ9.1C-T2	Z.DIODE I M		
D1685	MTZJ9.1C-T2	Z.DIODE I M		
D1686	MTZJ9.1C-T2	Z.DIODE I M		
D1687	MTZJ9.1C-T2	Z.DIODE I M		
D1688	MTZJ9.1C-T2	Z.DIODE I M		
D1705	1SS133-T2	SI DIODE		
D1751	LG22440	LED	POWER / ON TIMER	
D1801	MTZJ9.1C-T2	Z.DIODE I M		
D1802	MTZJ9.1C-T2	Z.DIODE I M		

△Ref No.	Part No.	Part Name	Description	Local
D1803	MTZJ9.1C-T2	Z.DIODE I M		
D1804	MTZJ9.1C-T2	Z.DIODE I M		
D1807	MTZJ9.1C-T2	Z.DIODE I M		
D1831	MTZJ9.1C-T2	Z.DIODE I M		
D1832	MTZJ9.1C-T2	Z.DIODE I M		
D1833	MTZJ9.1C-T2	Z.DIODE I M		
D1834	MTZJ9.1C-T2	Z.DIODE I M		
△D1901	GSIB460-S1	BRIDGE DIODE		
D1902	RGP10J-5025-T3	SI DIODE		
D1903	RGP10J-5025-T3	SI DIODE		
D1904	RGP10J-5025-T3	SI DIODE		
D1905	SARS01-T2	SI DIODE		
D1907	MA700A-T2	SB DIODE		
D1908	MTZJ15C-T2	Z DIODE		
D1921	1SR35-400A-T2	SI DIODE		
D1922	1SR35-400A-T2	SI DIODE		
D1923	1SR35-400A-T2	SI DIODE		
D1924	1SR35-400A-T2	SI DIODE		
D1925	1SS133-T2	SI DIODE		
D1926	RU3AM-LFC4	SI DIODE		
D1927	RU3YX-LFC4	SI DIODE		
D1928	RU3YX-LFC4	SI DIODE		
D1929	MTZJ7.5A-T2	Z DIODE		
D1930	1SS133-T2	SI DIODE		
D1931	1SS133-T2	SI DIODE		
D1932	MTZJ33B-T2	Z DIODE		
D1933	1N4002G-T2	SI DIODE		
C1001	QETN1HM-475Z	E CAPACITOR	4.7uF 50V M	
C1002	NCB31HK-103X	C CAPACITOR	0.01uF 50V K	
C1003	QETN1VM-476Z	E CAPACITOR	47uF 35V M	
C1004	QETN1AM-477Z	E CAPACITOR	470uF 10V M	
C1005	NCB31HK-103X	C CAPACITOR	0.01uF 50V K	
C1101	NCB31HK-103X	C CAPACITOR	0.01uF 50V K	
C1102	NCB31HK-103X	C CAPACITOR	0.01uF 50V K	
C1104	NCB31HK-103X	C CAPACITOR	0.01uF 50V K	
C1105	NCB31HK-103X	C CAPACITOR	0.01uF 50V K	
C1106	QETN1EM-476Z	E CAPACITOR	47uF 25V M	
C1107	NCB31HK-103X	C CAPACITOR	0.01uF 50V K	
C1113	NCB31HK-103X	C CAPACITOR	0.01uF 50V K	
C1114	NCB31HK-103X	C CAPACITOR	0.01uF 50V K	
C1116	NCB31CK-224X	C CAPACITOR	0.22uF 16V K	
C1117	QETN1EM-476Z	E CAPACITOR	47uF 25V M	
C1118	NCB31HK-103X	C CAPACITOR	0.01uF 50V K	
C1119	NDC31HJ-681X	C CAPACITOR	680pF 50V J	
C1120	QETN1HM-474Z	E CAPACITOR	0.47uF 50V M	
C1124	NCB31HK-103X	C CAPACITOR	0.01uF 50V K	
C1131	NCB31HK-103X	C CAPACITOR	0.01uF 50V K	
C1161	QETN1HM-106Z	E CAPACITOR	10uF 50V M	
C1162	QETN1HM-106Z	E CAPACITOR	10uF 50V M	
C1163	NDC31HJ-470X	C CAPACITOR	47pF 50V J	
C1164	NDC31HJ-470X	C CAPACITOR	47pF 50V J	
C1165	NCB31HK-103X	C CAPACITOR	0.01uF 50V K	
C1166	NCB31HK-103X	C CAPACITOR	0.01uF 50V K	
C1202	QETN1HM-105Z	E CAPACITOR	1uF 50V M	
C1203	NCB31HK-152X	C CAPACITOR	1500pF 50V K	
C1211	QETN1HM-476Z	E CAPACITOR	47uF 50V M	
C1221	QETN1HM-106Z	E CAPACITOR	10uF 50V M	
C1222	NCB31HK-104X	C CAPACITOR	0.1uF 50V K	
C1223	NCB31HK-103X	C CAPACITOR	0.01uF 50V K	
C1233	NDC31HJ-680X	C CAPACITOR	68pF 50V J	
C1237	NCB31HK-103X	C CAPACITOR	0.01uF 50V K	
C1241	NCB31HK-103X	C CAPACITOR	0.01uF 50V K	
C1243	QETN1EM-476Z	E CAPACITOR	47uF 25V M	
C1244	NCB31HK-103X	C CAPACITOR	0.01uF 50V K	
C1247	QETN1HM-225Z	E CAPACITOR	2.2uF 50V M	
C1252	NDC31HJ-101X	C CAPACITOR	100pF 50V J	
C1253	NDC31HJ-470X	C CAPACITOR	47pF 50V J	
C1254	NDC31HJ-181X	C CAPACITOR	180pF 50V J	
C1261	NCB31HK-103X	C CAPACITOR	0.01uF 50V K	
C1262	QETN1EM-476Z	E CAPACITOR	47uF 25V M	
C1263	NCB31HK-103X	C CAPACITOR	0.01uF 50V K	
C1264	NCB31HK-103X	C CAPACITOR	0.01uF 50V K	
C1265	QETN1HM-474Z	E CAPACITOR	0.47uF 50V M	
C1266	NCB31HK-103X	C CAPACITOR	0.01uF 50V K	
C1267	NCB31HK-103X	C CAPACITOR	0.01uF 50V K	
C1268	QETN1EM-476Z	E CAPACITOR	47uF 25V M	
C1269	NCB31HK-103X	C CAPACITOR	0.01uF 50V K	
C1270	QETN1EM-476Z	E CAPACITOR	47uF 25V M	
C1272	NCB31HK-103X	C CAPACITOR	0.01uF 50V K	
C1273	NCB31HK-103X	C CAPACITOR	0.01uF 50V K	
C1274	NDC31HJ-181X	C CAPACITOR	180pF 50V J	
C1275	QETN1EM-476Z	E CAPACITOR	47uF 25V M	
C1276	NCB31HK-103X	C CAPACITOR	0.01uF 50V K	
C1277	NCB31HK-103X	C CAPACITOR	0.01uF 50V K	
C1278	NCB31HK-103X	C CAPACITOR	0.01uF 50V K	
C1283	NDC31HJ-330X	C CAPACITOR	33pF 50V J	

△Ref No.	Part No.	Part Name	Description	Local	△Ref No.	Part No.	Part Name	Description	Local
C1293	NDC31HJ-470X	C CAPACITOR	47pF 50V J		C1674	NCB31HK-472X	C CAPACITOR	4700pF 50V K	
C1302	NDC31HJ-331X	C CAPACITOR	330pF 50V J		C1675	QENC1HM-475Z	BP E CAPACITOR	4.7uF 50V M	
C1312	NDC31HJ-271X	C CAPACITOR	270pF 50V J		C1676	NCB31HK-104X	C CAPACITOR	0.1uF 50V K	
C1322	NDC31HJ-271X	C CAPACITOR	270pF 50V J		C1677	NCB31HK-472X	C CAPACITOR	4700pF 50V K	
C1331	QETN1HM-105Z	E CAPACITOR	1uF 50V M		C1681	QETN1HM-106Z	E CAPACITOR	10uF 50V M	
C1341	QETN1CM-107Z	E CAPACITOR	100uF 16V M		C1682	QETN1HM-106Z	E CAPACITOR	10uF 50V M	
△C1343	QCZ0121-102	C CAPACITOR	1000pF 3KV		C1683	QETN1HM-106Z	E CAPACITOR	10uF 50V M	
C1352	QETN1EM-476Z	E CAPACITOR	47uF 25V M		C1684	QETN1HM-106Z	E CAPACITOR	10uF 50V M	
C1354	NCB31HK-103X	C CAPACITOR	0.01uF 50V K		C1685	QETN1HM-106Z	E CAPACITOR	10uF 50V M	
C1361	QETN1EM-476Z	E CAPACITOR	47uF 25V M		C1686	QETN1HM-106Z	E CAPACITOR	10uF 50V M	
C1362	NCB31HK-103X	C CAPACITOR	0.01uF 50V K		C1687	QETN1HM-106Z	E CAPACITOR	10uF 50V M	
C1401	QFVF1HJ-474Z	MF CAPACITOR	0.47uF 50V J		C1688	QETN1HM-106Z	E CAPACITOR	10uF 50V M	
C1402	NCB31HK-102X	C CAPACITOR	1000pF 50V K		C1689	QETN1CM-336Z	E CAPACITOR	33uF 16V M	
C1403	QENC1CM-106Z	BP E CAPACITOR	10uF 16V M		C1701	NCB31HK-102X	C CAPACITOR	1000pF 50V K	
C1404	NCB31HK-222X	C CAPACITOR	2200pF 50V K		C1702	QETN1HM-106Z	E CAPACITOR	10uF 50V M	
C1405	QETN1HM-106Z	E CAPACITOR	10uF 50V M		C1703	QETN1HM-106Z	E CAPACITOR	10uF 50V M	
C1406	NCB31HK-102X	C CAPACITOR	1000pF 50V K		C1704	QETN1EM-476Z	E CAPACITOR	47uF 25V M	
C1407	QETN1VM-107Z	E CAPACITOR	100uF 50V M		C1705	NCB31HK-103X	C CAPACITOR	0.01uF 50V K	
C1408	QCS32HJ-100Z	C CAPACITOR	10pF 500V J		C1708	NDC31HJ-220X	C CAPACITOR	22pF 50V J	
C1409	QFLC2AK-104Z	M CAPACITOR	0.1uF 100V K		C1709	NDC31HJ-220X	C CAPACITOR	22pF 50V J	
C1410	QFLC2AK-104Z	M CAPACITOR	0.1uF 100V K		C1711	QETN1EM-476Z	E CAPACITOR	47uF 25V M	
C1411	QETN1VM-228	E CAPACITOR	2200uF 35V M		C1712	NCB31HK-103X	C CAPACITOR	0.01uF 50V K	
C1412	QETN1HM-225Z	E CAPACITOR	2.2uF 50V M		C1716	QETN1HM-106Z	E CAPACITOR	10uF 50V M	
C1501	QETN1EM-476Z	E CAPACITOR	47uF 25V M		C1751	QETN1EM-476Z	E CAPACITOR	47uF 25V M	
C1502	NCB31HK-103X	C CAPACITOR	0.01uF 50V K		C1801	QETN1HM-106Z	E CAPACITOR	10uF 50V M	
C1503	NCB31HK-103X	C CAPACITOR	0.01uF 50V K		C1802	QETN1HM-106Z	E CAPACITOR	10uF 50V M	
C1504	QETN1HM-225Z	E CAPACITOR	2.2uF 50V M		C1803	QETN1HM-105Z	E CAPACITOR	1uF 50V M	
C1505	NCB31AK-474X	C CAPACITOR	0.47uF 10V K		C1804	QETN1HM-106Z	E CAPACITOR	10uF 50V M	
C1506	QETN1EM-476Z	E CAPACITOR	47uF 25V M		C1807	NCB31HK-103X	C CAPACITOR	0.01uF 50V K	
C1507	NCB31HK-103X	C CAPACITOR	0.01uF 50V K		C1815	NCB31HK-103X	C CAPACITOR	0.01uF 50V K	
C1508	QCB32HK-151Z	C CAPACITOR	150pF 500V K		C1831	NCB31HK-104X	C CAPACITOR	0.1uF 50V K	
C1509	QCB32HK-331Z	C CAPACITOR	330pF 500V K		C1832	NCB31HK-104X	C CAPACITOR	0.1uF 50V K	
C1510	QETN2EM-225Z	E CAPACITOR	2.2uF 250V M		C1833	NCB31HK-104X	C CAPACITOR	0.1uF 50V K	
C1522	QFZ0198-123	MPP CAPACITOR	0.012uF 1.5KV		C1834	QETN1HM-106Z	E CAPACITOR	10uF 50V M	
C1523	QFZ0199-564	MPP CAPACITOR	0.56uF 250V		C1851	NCB31HK-103X	C CAPACITOR	0.01uF 50V K	
C1524	QCB32HK-561Z	C CAPACITOR	560pF 500V K		C1852	NCB31HK-103X	C CAPACITOR	0.01uF 50V K	
C1525	QEZ0203-107	E CAPACITOR	100uF 160V M		C1853	QETN1HM-106Z	E CAPACITOR	10uF 50V M	
C1526	QFLC1HJ-823Z	M CAPACITOR	0.082uF 50V J		C1854	NCB31HK-103X	C CAPACITOR	0.01uF 50V K	
C1527	QETN2EM-106Z	E CAPACITOR	10uF 250V M		C1855	NCB31HK-103X	C CAPACITOR	0.01uF 50V K	
C1528	QETN1VM-108Z	E CAPACITOR	1000uF 35V M		C1856	NCB31HK-103X	C CAPACITOR	0.01uF 50V K	
C1529	QETN1VM-476Z	E CAPACITOR	47uF 35V M		C1857	QETN1HM-106Z	E CAPACITOR	10uF 50V M	
C1530	QFLC2AK-104Z	M CAPACITOR	0.1uF 100V K		C1858	NCB31HK-103X	C CAPACITOR	0.01uF 50V K	
C1601	NCF31AZ-105X	C CAPACITOR	1uF 10V Z		C1859	NCB31HK-103X	C CAPACITOR	0.01uF 50V K	
C1602	NCF31AZ-105X	C CAPACITOR	1uF 10V Z		C1860	NCB31HK-103X	C CAPACITOR	0.01uF 50V K	
C1603	NCB31HK-332X	C CAPACITOR	3300pF 50V K		C1861	QETN1EM-476Z	E CAPACITOR	47uF 25V M	
C1604	NCB31HK-332X	C CAPACITOR	3300pF 50V K		C1862	QETN1HM-106Z	E CAPACITOR	10uF 50V M	
C1605	NCB31HK-333X	C CAPACITOR	0.033uF 50V K		△C1901	QFZ9072-104	MM CAPACITOR	0.1uF AC250V K	
C1606	NCB31HK-333X	C CAPACITOR	0.033uF 50V K		△C1902	QFZ9072-104	MM CAPACITOR	0.1uF AC250V K	
C1607	QETN1HM-106Z	E CAPACITOR	10uF 50V M		C1903	QEZ0561-477	E CAPACITOR	470uF 200V	
C1608	QETN1HM-106Z	E CAPACITOR	10uF 50V M		△C1904	QCZ9054-102	C CAPACITOR	1000pF AC250V Z	
C1609	QETN1EM-476Z	E CAPACITOR	47uF 25V M		△C1905	QCZ9054-102	C CAPACITOR	1000pF AC250V Z	
C1610	NCB31HK-103X	C CAPACITOR	0.01uF 50V K		C1907	QETN1HM-476Z	E CAPACITOR	47uF 50V M	
C1614	QETN1CM-477Z	E CAPACITOR	470uF 16V M		C1908	QCZ0340-332	C CAPACITOR	3300pF 2kV K	
C1616	QETN1HM-475Z	E CAPACITOR	4.7uF 50V M		C1909	NCB31HK-182X	C CAPACITOR	1800pF 50V K	
C1617	QETN1CM-227Z	E CAPACITOR	220uF 16V M		C1910	NDC31HJ-471X	C CAPACITOR	470pF 50V J	
C1618	QETN1CM-107Z	E CAPACITOR	100uF 16V M		C1911	QFP32GJ-103Z	PP CAPACITOR	0.01uF 400V J	
C1619	QETN1CM-477Z	E CAPACITOR	470uF 16V M		C1921	QETN1EM-477Z	E CAPACITOR	470uF 25V M	
C1620	NCF31CZ-104X	C CAPACITOR	0.1uF 16V Z		C1923	QEZ0203-107	E CAPACITOR	100uF 160V M	
C1622	QETN1HM-475Z	E CAPACITOR	4.7uF 50V M		C1924	QETN2CM-476Z	E CAPACITOR	47uF 160V M	
C1623	QETN1CM-227Z	E CAPACITOR	220uF 16V M		C1925	QETN1CM-108Z	E CAPACITOR	1000uF 16V M	
C1624	QETN1CM-107Z	E CAPACITOR	100uF 16V M		C1926	QETN1CM-107Z	E CAPACITOR	100uF 16V M	
C1625	QETN1CM-477Z	E CAPACITOR	470uF 16V M		C1927	QETN1CM-477Z	E CAPACITOR	470uF 16V M	
C1626	NCF31CZ-104X	C CAPACITOR	0.1uF 16V Z		C1929	QCZ0340-102	C CAPACITOR	1000pF 2kV K	
C1627	QETN1CM-227Z	E CAPACITOR	220uF 16V M		C1930	QCB32HK-102Z	C CAPACITOR	1000pF 500V K	
C1651	QENC1HM-475Z	BP E CAPACITOR	4.7uF 50V M		C1931	QCB32HK-102Z	C CAPACITOR	1000pF 500V K	
C1652	NCB31HK-104X	C CAPACITOR	0.1uF 50V K		C1932	QETN0JM-107Z	E CAPACITOR	100uF 6.3V M	
C1653	QENC1HM-475Z	BP E CAPACITOR	4.7uF 50V M		C1933	QETN1VM-476Z	E CAPACITOR	47uF 35V M	
C1654	NCB31HK-562X	C CAPACITOR	5600pF 50V K		C1935	QETN1CM-476Z	E CAPACITOR	47uF 16V M	
C1655	NCB31HK-123X	C CAPACITOR	0.012uF 50V K		C1940	NCB31HK-103X	C CAPACITOR	0.01uF 50V K	
C1656	QETN1HM-105Z	E CAPACITOR	1uF 50V M		C1941	QETN1CM-107Z	E CAPACITOR	100uF 16V M	
C1657	QETN1HM-106Z	E CAPACITOR	10uF 50V M		C1942	QETN1CM-107Z	E CAPACITOR	100uF 16V M	
C1658	QETN1HM-106Z	E CAPACITOR	10uF 50V M		C1943	NCB31HK-103X	C CAPACITOR	0.01uF 50V K	
C1659	QETN1HM-475Z	E CAPACITOR	4.7uF 50V M		C1944	QETN1CM-107Z	E CAPACITOR	100uF 16V M	
C1660	QETN1EM-476Z	E CAPACITOR	47uF 25V M		C1945	NCB31HK-103X	C CAPACITOR	0.01uF 50V K	
C1661	NCB31HK-103X	C CAPACITOR	0.01uF 50V K		△C1991	QCZ9074-103	C CAPACITOR	0.01uF 250V	
C1662	QENC1HM-475Z	BP E CAPACITOR	4.7uF 50V M		△C1992	QCZ9074-103	C CAPACITOR	0.01uF 250V	
C1663	QETN1HM-475Z	E CAPACITOR	4.7uF 50V M						
C1664	QENC1HM-475Z	BP E CAPACITOR	4.7uF 50V M		R1003	NRSA63J-221X	MG RESISTOR	220Ω 1/16W J	
C1665	NCB31HK-272X	C CAPACITOR	2700pF 50V K		R1004	NRSA63J-221X	MG RESISTOR	220Ω 1/16W J	
C1666	NCB31HK-473X	C CAPACITOR	0.047uF 50V K		R1005	NRSA63J-0R0X	MG RESISTOR	0Ω 1/16W J	
C1667	QETN1HM-335Z	E CAPACITOR	3.3uF 50V M		R1006	NRSA63J-223X	MG RESISTOR	22kΩ 1/16W J	
C1668	QENC1HM-475Z	BP E CAPACITOR	4.7uF 50V M		R1008	NRSA63J-820X	MG RESISTOR	82Ω 1/16W J	
C1669	QETN1HM-106Z	E CAPACITOR	10uF 50V M		R1101	NRSA63J-562X	MG RESISTOR	5.6kΩ 1/16W J	
C1670	QETN1HM-105Z	E CAPACITOR	1uF 50V M		R1102	NRSA63J-182X	MG RESISTOR	1.8kΩ 1/16W J	
C1671	QETN1HM-106Z	E CAPACITOR	10uF 50V M		R1103	QRE121J-101Y	C RESISTOR	100Ω 1/2W J	
C1672	QETN1HM-106Z	E CAPACITOR	10uF 50V M		R1104	NRSA63J-180X	MG RESISTOR	18Ω 1/16W J	
C1673	NCB31HK-223X	C CAPACITOR	0.022uF 50V K		R1105	NRSA63J-270X	MG RESISTOR	27Ω 1/16W J	

△Ref No.	Part No.	Part Name	Description	Local	△Ref No.	Part No.	Part Name	Description	Local
R1111	NRSA63J-394X	MG RESISTOR	390kΩ 1/16W J		R1408	QRE121J-681Y	C RESISTOR	680Ω 1/2W J	
R1112	NRSA63J-334X	MG RESISTOR	330kΩ 1/16W J		R1409	QRX01GJ-1R0	MF RESISTOR	1Ω 1W J	
R1113	NRSA63J-101X	MG RESISTOR	100Ω 1/16W J		R1411	NRSA63J-123X	MG RESISTOR	12kΩ 1/16W J	
R1115	NRSA63J-101X	MG RESISTOR	100Ω 1/16W J		R1412	NRSA63J-153X	MG RESISTOR	15kΩ 1/16W J	
R1116	NRSA63J-680X	MG RESISTOR	68Ω 1/16W J		R1414	NRSA63J-103X	MG RESISTOR	10kΩ 1/16W J	
R1117	NRSA63J-273X	MG RESISTOR	27kΩ 1/16W J		R1416	QRE121J-102Y	C RESISTOR	1kΩ 1/2W J	
R1131	NRSA63J-102X	MG RESISTOR	1kΩ 1/16W J		R1501	NRSA63J-472X	MG RESISTOR	4.7kΩ 1/16W J	
R1132	NRSA63J-221X	MG RESISTOR	220Ω 1/16W J		R1502	NRSA63J-681X	MG RESISTOR	680Ω 1/16W J	
R1133	NRSA63J-821X	MG RESISTOR	820Ω 1/16W J		R1504	NRSA63J-392X	MG RESISTOR	3.9kΩ 1/16W J	
R1134	NRSA63J-681X	MG RESISTOR	680Ω 1/16W J		R1505	NRSA63J-154X	MG RESISTOR	150kΩ 1/16W J	
R1135	NRSA63J-102X	MG RESISTOR	1kΩ 1/16W J		R1506	NRSA63J-471X	MG RESISTOR	470Ω 1/16W J	
R1161	NRSA63J-332X	MG RESISTOR	3.3kΩ 1/16W J		R1507	NRSA63J-561X	MG RESISTOR	560Ω 1/16W J	
R1163	NRSA63J-223X	MG RESISTOR	22kΩ 1/16W J		R1508	NRSA63J-101X	MG RESISTOR	100Ω 1/16W J	
R1164	NRSA63J-102X	MG RESISTOR	1kΩ 1/16W J		R1509	NRSA63J-271X	MG RESISTOR	270Ω 1/16W J	
R1165	NRSA63J-223X	MG RESISTOR	22kΩ 1/16W J		R1510	QRE121J-103Y	C RESISTOR	10kΩ 1/2W J	
R1166	NRSA63J-103X	MG RESISTOR	10kΩ 1/16W J		R1511	QRG029J-182	OMF RESISTOR	1.8kΩ 2W J	
R1167	NRSA63J-102X	MG RESISTOR	1kΩ 1/16W J		R1512	QRG029J-182	OMF RESISTOR	1.8kΩ 2W J	
R1168	NRSA63J-101X	MG RESISTOR	100Ω 1/16W J		R1521	QRE121J-220Y	C RESISTOR	22Ω 1/2W J	
R1169	NRSA63J-561X	MG RESISTOR	560Ω 1/16W J		R1522	QRE121J-681Y	C RESISTOR	680Ω 1/2W J	
R1171	NRSA63J-103X	MG RESISTOR	10kΩ 1/16W J		R1523	QRL039J-152	OMF RESISTOR	1.5kΩ 3W J	
R1201	NRSA63J-223X	MG RESISTOR	22kΩ 1/16W J		R1524	QRE121J-224Y	C RESISTOR	220kΩ 1/2W J	
R1212	NRSA63J-272X	MG RESISTOR	2.7kΩ 1/16W J		R1525	QRE121J-184Y	C RESISTOR	180kΩ 1/2W J	
R1215	NRSA63J-562X	MG RESISTOR	5.6kΩ 1/16W J		R1526	QRK129J-150	UNF C RESISTOR	15Ω 1/2W J	
R1216	NRSA63J-562X	MG RESISTOR	5.6kΩ 1/16W J		R1527	QRX01GJ-1R0	MF RESISTOR	1Ω 1W J	
R1217	NRSA63J-102X	MG RESISTOR	1kΩ 1/16W J		R1528	QRE121J-103Y	C RESISTOR	10kΩ 1/2W J	
R1227	NRSA63J-104X	MG RESISTOR	100kΩ 1/16W J		R1529	QRK126J-4R7X	UNF C RESISTOR	4.7Ω 1/2W J	
R1231	NRSA63J-182X	MG RESISTOR	1.8kΩ 1/16W J		R1530	QRX029J-1R5	MF RESISTOR	1.5Ω 2W J	
R1232	NRSA63J-392X	MG RESISTOR	3.9kΩ 1/16W J		R1531	NRZ0032-7151X	CMF RESISTOR	7.15kΩ	
R1233	NRSA63J-332X	MG RESISTOR	3.3kΩ 1/16W J		R1533	NRZ0032-2941X	CMF RESISTOR	2.94kΩ	
R1234	NRSA63J-152X	MG RESISTOR	1.5kΩ 1/16W J		R1541	QRE121J-683Y	C RESISTOR	68kΩ 1/2W J	
R1235	NRSA63J-102X	MG RESISTOR	1kΩ 1/16W J		R1601	NRSA63J-223X	MG RESISTOR	22kΩ 1/16W J	
R1251	NRSA63J-332X	MG RESISTOR	3.3kΩ 1/16W J		R1602	NRSA63J-223X	MG RESISTOR	22kΩ 1/16W J	
R1252	NRSA63J-103X	MG RESISTOR	10kΩ 1/16W J		R1603	NRSA63J-223X	MG RESISTOR	22kΩ 1/16W J	
R1253	NRSA63J-102X	MG RESISTOR	1kΩ 1/16W J		R1604	NRSA63J-223X	MG RESISTOR	22kΩ 1/16W J	
R1254	NRSA63J-181X	MG RESISTOR	180Ω 1/16W J		R1605	NRSA63J-0R0X	MG RESISTOR	0Ω 1/16W J	
R1255	NRSA63J-152X	MG RESISTOR	1.5kΩ 1/16W J		R1607	NRSA63J-0R0X	MG RESISTOR	0Ω 1/16W J	
R1256	NRSA63J-152X	MG RESISTOR	1.5kΩ 1/16W J		R1609	NRSA63J-103X	MG RESISTOR	10kΩ 1/16W J	
R1257	NRSA63J-222X	MG RESISTOR	2.2kΩ 1/16W J		R1614	QRL039J-100	OMF RESISTOR	10Ω 3W J	
R1261	NRSA63J-101X	MG RESISTOR	100Ω 1/16W J		R1615	NRSA63J-123X	MG RESISTOR	12kΩ 1/16W J	
R1262	NRSA63J-101X	MG RESISTOR	100Ω 1/16W J		R1616	NRSA63J-123X	MG RESISTOR	12kΩ 1/16W J	
R1263	NRSA63J-101X	MG RESISTOR	100Ω 1/16W J		R1617	NRSA63J-332X	MG RESISTOR	3.3kΩ 1/16W J	
R1264	NRSA63J-821X	MG RESISTOR	820Ω 1/16W J		R1618	NRSA63J-332X	MG RESISTOR	3.3kΩ 1/16W J	
R1282	NRSA63J-222X	MG RESISTOR	2.2kΩ 1/16W J		R1619	NRSA63J-471X	MG RESISTOR	470Ω 1/16W J	
R1283	NRSA63J-821X	MG RESISTOR	820Ω 1/16W J		R1620	NRSA63J-471X	MG RESISTOR	470Ω 1/16W J	
R1285	NRSA63J-331X	MG RESISTOR	330Ω 1/16W J		R1621	QRE121J-4R7Y	C RESISTOR	4.7Ω 1/2W J	
R1286	NRSA63J-102X	MG RESISTOR	1kΩ 1/16W J		R1622	QRE121J-4R7Y	C RESISTOR	4.7Ω 1/2W J	
R1287	NRSA63J-102X	MG RESISTOR	1kΩ 1/16W J		R1625	NRSA63J-103X	MG RESISTOR	10kΩ 1/16W J	
R1288	NRSA63J-0R0X	MG RESISTOR	0Ω 1/16W J		R1627	NRSA63J-101X	MG RESISTOR	100Ω 1/16W J	
R1292	NRSA63J-222X	MG RESISTOR	2.2kΩ 1/16W J		R1631	QRX029J-3R3	MF RESISTOR	3.3Ω 2W J	
R1293	NRSA63J-471X	MG RESISTOR	470Ω 1/16W J		R1651	NRSA63J-101X	MG RESISTOR	100Ω 1/16W J	
R1295	NRSA63J-331X	MG RESISTOR	330Ω 1/16W J		R1652	NRSA63J-101X	MG RESISTOR	100Ω 1/16W J	
R1296	NRSA63J-102X	MG RESISTOR	1kΩ 1/16W J		R1653	NRSA63J-105X	MG RESISTOR	1MΩ 1/16W J	
R1297	NRSA63J-102X	MG RESISTOR	1kΩ 1/16W J		R1654	NRSA63J-104X	MG RESISTOR	100kΩ 1/16W J	
R1298	NRSA63J-0R0X	MG RESISTOR	0Ω 1/16W J		R1655	NRSA63J-682X	MG RESISTOR	6.8kΩ 1/16W J	
R1301	NRSA63J-151X	MG RESISTOR	150Ω 1/16W J		R1656	NRSA63J-123X	MG RESISTOR	12kΩ 1/16W J	
R1302	QRL029J-123	OMF RESISTOR	12kΩ 2W J		R1657	NRSA63F-623X	MG RESISTOR	62kΩ 1/16W F	
R1303	QRZ0111-152	C RESISTOR	1.5kΩ 1/2W K		R1658	NRSA63J-332X	MG RESISTOR	3.3kΩ 1/16W J	
R1304	NRSA63J-332X	MG RESISTOR	3.3kΩ 1/16W J		R1659	NRSA63J-302X	MG RESISTOR	3kΩ 1/16W J	
R1305	NRSA63J-271X	MG RESISTOR	270Ω 1/16W J		R1661	NRSA63J-392X	MG RESISTOR	3.9kΩ 1/16W J	
R1306	NRSA63J-101X	MG RESISTOR	100Ω 1/16W J		R1662	NRSA63J-681X	MG RESISTOR	680Ω 1/16W J	
R1311	NRSA63J-151X	MG RESISTOR	150Ω 1/16W J		R1663	NRSA63J-681X	MG RESISTOR	680Ω 1/16W J	
R1312	QRL029J-123	OMF RESISTOR	12kΩ 2W J		R1664	NRSA63J-101X	MG RESISTOR	100Ω 1/16W J	
R1313	QRZ0111-152	C RESISTOR	1.5kΩ 1/2W K		R1665	NRSA63J-101X	MG RESISTOR	100Ω 1/16W J	
R1314	NRSA63J-332X	MG RESISTOR	3.3kΩ 1/16W J		R1666	NRSA63J-101X	MG RESISTOR	100Ω 1/16W J	
R1315	NRSA63J-271X	MG RESISTOR	270Ω 1/16W J		R1667	NRSA63J-101X	MG RESISTOR	100Ω 1/16W J	
R1316	NRSA63J-101X	MG RESISTOR	100Ω 1/16W J		R1681	NRSA63J-681X	MG RESISTOR	680Ω 1/16W J	
R1321	NRSA63J-151X	MG RESISTOR	150Ω 1/16W J		R1682	NRSA63J-681X	MG RESISTOR	680Ω 1/16W J	
R1322	QRL029J-123	OMF RESISTOR	12kΩ 2W J		R1683	NRSA63J-223X	MG RESISTOR	22kΩ 1/16W J	
R1323	QRZ0111-152	C RESISTOR	1.5kΩ 1/2W K		R1684	NRSA63J-223X	MG RESISTOR	22kΩ 1/16W J	
R1324	NRSA63J-332X	MG RESISTOR	3.3kΩ 1/16W J		R1685	NRSA63J-223X	MG RESISTOR	22kΩ 1/16W J	
R1325	NRSA63J-271X	MG RESISTOR	270Ω 1/16W J		R1686	NRSA63J-223X	MG RESISTOR	22kΩ 1/16W J	
R1326	NRSA63J-101X	MG RESISTOR	100Ω 1/16W J		R1687	NRSA63J-221X	MG RESISTOR	220Ω 1/16W J	
R1331	NRSA63J-223X	MG RESISTOR	22kΩ 1/16W J		R1688	NRSA63J-221X	MG RESISTOR	220Ω 1/16W J	
R1332	NRSA63J-101X	MG RESISTOR	100Ω 1/16W J		R1691	NRSA63J-823X	MG RESISTOR	82kΩ 1/16W J	
R1333	NRSA63J-103X	MG RESISTOR	10kΩ 1/16W J		R1692	NRSA63J-823X	MG RESISTOR	82kΩ 1/16W J	
R1354	NRSA63J-331X	MG RESISTOR	330Ω 1/16W J		R1701	NRSA63J-102X	MG RESISTOR	1kΩ 1/16W J	
R1356	NRSA63J-123X	MG RESISTOR	12kΩ 1/16W J		R1702	NRSA63J-102X	MG RESISTOR	1kΩ 1/16W J	
R1359	NRSA63J-103X	MG RESISTOR	10kΩ 1/16W J		R1703	NRSA63J-103X	MG RESISTOR	10kΩ 1/16W J	
R1360	NRSA63J-0R0X	MG RESISTOR	0Ω 1/16W J		R1704	NRSA63J-472X	MG RESISTOR	4.7kΩ 1/16W J	
R1364	NRSA63J-101X	MG RESISTOR	100Ω 1/16W J		R1705	NRSA63J-472X	MG RESISTOR	4.7kΩ 1/16W J	
R1365	NRSA63J-101X	MG RESISTOR	100Ω 1/16W J		R1706	NRSA63J-472X	MG RESISTOR	4.7kΩ 1/16W J	
R1366	NRSA63J-101X	MG RESISTOR	100Ω 1/16W J		R1707	NRSA63J-103X	MG RESISTOR	10kΩ 1/16W J	
R1401	NRSA63J-102X	MG RESISTOR	1kΩ 1/16W J		R1708	NRSA63J-101X	MG RESISTOR	100Ω 1/16W J	
R1402	NRSA63J-472X	MG RESISTOR	4.7kΩ 1/16W J		R1709	NRSA63J-101X	MG RESISTOR	100Ω 1/16W J	
R1403	NRSA63J-103X	MG RESISTOR	10kΩ 1/16W J		R1714	NRSA63J-823X	MG RESISTOR	82kΩ 1/16W J	
R1405	NRSA63J-103X	MG RESISTOR	10kΩ 1/16W J		R1715	NRSA63J-101X	MG RESISTOR	100Ω 1/16W J	
R1407	QRE121J-681Y	C RESISTOR	680Ω 1/2W J		R1718	NRSA63J-223X	MG RESISTOR	22kΩ 1/16W J	

△Ref No.	Part No.	Part Name	Description	Local	△Ref No.	Part No.	Part Name	Description	Local
R1720	QRJ149J-1R0	UNF C RESISTOR	1Ω 1/4W J						
R1721	NRSA63J-102X	MG RESISTOR	1kΩ 1/16W J		L1101	QQLZ014-R39	COIL	0.39uH 100mA L	
R1729	NRSA63J-223X	MG RESISTOR	22kΩ 1/16W J		L1131	QQL244K-220Z	COIL	22uH K	
R1731	NRSA63J-101X	MG RESISTOR	100Ω 1/16W J		L1161	QQL244K-220Z	COIL	22uH K	
R1732	NRSA63J-101X	MG RESISTOR	100Ω 1/16W J		L1232	QQL244K-560Z	COIL	56uH K	
R1733	NRSA63J-472X	MG RESISTOR	4.7kΩ 1/16W J		L1251	QQL244K-4R7Z	COIL	4.7uH K	
R1734	NRSA63J-472X	MG RESISTOR	4.7kΩ 1/16W J		L1281	QQL244K-150Z	COIL	15uH K	
R1739	NRSA63J-272X	MG RESISTOR	2.7kΩ 1/16W J		L1291	QQL244K-150Z	COIL	15uH K	
R1740	NRSA63J-101X	MG RESISTOR	100Ω 1/16W J		L1341	QQL03BJ-390Z	P COIL	39uH J	
R1751	NRSA63J-102X	MG RESISTOR	1kΩ 1/16W J		L1521	QQR1027-004	LINEARITY COIL		
R1752	NRSA63J-102X	MG RESISTOR	1kΩ 1/16W J		L1921	QQL26AK-470Z	COIL	47uH K	
R1753	NRSA63J-152X	MG RESISTOR	1.5kΩ 1/16W J		L1922	QQL26AK-470Z	COIL	47uH K	
R1754	NRSA63J-272X	MG RESISTOR	2.7kΩ 1/16W J		T1111	QQR0907-001	IFT		
R1755	NRSA63J-562X	MG RESISTOR	5.6kΩ 1/16W J		T1501	CE42034-002	HOR DRIVE TRANS		
R1756	NRSA63J-122X	MG RESISTOR	1.2kΩ 1/16W J		△T1901	QQT0355-001	POWER TRANSF		
R1757	NRSA63J-101X	MG RESISTOR	100Ω 1/16W J		△T1921	QQS0158-001	SW TRANSF		
R1758	NRSA63J-101X	MG RESISTOR	100Ω 1/16W J						
R1764	NRSA63J-471X	MG RESISTOR	470Ω 1/16W J		CF1001	QAX0349-001	C TRAP		
R1765	NRSA63J-471X	MG RESISTOR	470Ω 1/16W J		CF1131	QAX0639-001Z	C TRAP	4.500MHz	
R1766	NRSA63J-471X	MG RESISTOR	470Ω 1/16W J		CF1161	QAX0642-001Z	C FILTER	4.500MHz	
R1767	NRSA63J-471X	MG RESISTOR	470Ω 1/16W J		CN100C	QGA2501F1-06	CONNECTOR	W-B (1-6)	
R1768	NRSA63J-682X	MG RESISTOR	6.8kΩ 1/16W J		CN100S	QGA2501C5-04Z	CONNECTOR	W-B (1-4)	
R1769	NRSA63J-102X	MG RESISTOR	1kΩ 1/16W J		CN100T	CHGC05-480	CONNECTOR WIRE		
R1770	NRSA63J-103X	MG RESISTOR	10kΩ 1/16W J		CN100U	CHGC04-400	CONNECTOR ASSY		
R1771	NRSA63J-153X	MG RESISTOR	15kΩ 1/16W J		CN10B1	CH41169-R03Y	EH POST HEADER		
R1772	NRSA63J-103X	MG RESISTOR	10kΩ 1/16W J		CN10E1	CHGT0015-0B	CONNECTOR ASSY		
R1773	NRSA63J-103X	MG RESISTOR	10kΩ 1/16W J		CN10HV	QZG5004C1-06	CONNECTOR	(1-6)	
R1774	NRSA63J-103X	MG RESISTOR	10kΩ 1/16W J		△CN1DEG	QGA7901C1-02	CONNECTOR	W-B (1-2)	
R1775	NRSA63J-103X	MG RESISTOR	10kΩ 1/16W J		CN1HHS	CH41169-R03Y	EH POST HEADER		
R1776	NRSA63J-101X	MG RESISTOR	100Ω 1/16W J		△F1901	QMF51N1-5R0-J5	FUSE	5A AC125V	
R1777	NRSA63J-101X	MG RESISTOR	100Ω 1/16W J		△FC1901	CEMG002-001Z	FUSE CLIP	(x2)	
R1778	NRSA63J-103X	MG RESISTOR	10kΩ 1/16W J		△H1002	LC30381-001A	HEAT SINK/FE-P/		
R1801	NRSA63J-680X	MG RESISTOR	68Ω 1/16W J		△H1602	CEHE014-001WU	HEAT SINK		
R1802	NRSA63J-750X	MG RESISTOR	75Ω 1/16W J		△HS1004	LC31696-001A	HEAT SINK/AL-F/		
R1803	NRSA63J-750X	MG RESISTOR	75Ω 1/16W J		△HS1009	LC31678-001A	HEAT SINK/AL-F/		
R1804	NRSA63J-750X	MG RESISTOR	75Ω 1/16W J		J1001	QNZ0454-001	AV JACK	S / V / L / R IN	
R1805	NRSA63J-101X	MG RESISTOR	100Ω 1/16W J		J1002	QNN0348-001	PIN JACK	L / R OUT	
R1821	NRSA63J-124X	MG RESISTOR	120kΩ 1/16W J		J1003	QNN0349-002	PIN JACK	V / L / R IN	
R1831	NRSA63J-750X	MG RESISTOR	75Ω 1/16W J		J1004	QNN0348-001	PIN JACK	L / R IN	
R1832	NRSA63J-750X	MG RESISTOR	75Ω 1/16W J		J1005	CEMN065-001	PIN JACK	V IN	
R1833	NRSA63J-750X	MG RESISTOR	75Ω 1/16W J		J1006	CEMN065-002	PIN JACK	L IN	
R1834	NRSA63J-101X	MG RESISTOR	100Ω 1/16W J		J1007	CEMN072-003	PIN JACK	R IN	
R1835	NRSA63J-101X	MG RESISTOR	100Ω 1/16W J		K1001	QQR0582-001Z	FERRITE BEADS		
R1836	NRSA63J-101X	MG RESISTOR	100Ω 1/16W J		K1101	QQR0582-001Z	FERRITE BEADS		
R1851	NRSA63J-101X	MG RESISTOR	100Ω 1/16W J		K1251	QQR0582-001Z	FERRITE BEADS		
R1852	NRSA63J-101X	MG RESISTOR	100Ω 1/16W J		K1253	QQR0582-001Z	FERRITE BEADS		
R1853	NRSA63J-101X	MG RESISTOR	100Ω 1/16W J		K1254	QQR0582-001Z	FERRITE BEADS		
R1854	NRSA63J-101X	MG RESISTOR	100Ω 1/16W J		K1401	QQR0582-001Z	FERRITE BEADS		
R1855	NRSA63J-153X	MG RESISTOR	15kΩ 1/16W J		K1701	QQR0582-001Z	FERRITE BEADS		
R1856	NRSA63J-101X	MG RESISTOR	100Ω 1/16W J		K1702	QQR0582-001Z	FERRITE BEADS		
R1857	NRSA63J-103X	MG RESISTOR	10kΩ 1/16W J		K1901	QQR0582-001Z	FERRITE BEADS		
R1858	NRSA63J-101X	MG RESISTOR	100Ω 1/16W J		K1902	QQR0582-001Z	FERRITE BEADS		
R1859	NRSA63J-101X	MG RESISTOR	100Ω 1/16W J		K1903	QQR0582-001Z	FERRITE BEADS		
R1860	NRSA63J-101X	MG RESISTOR	100Ω 1/16W J		K1904	QQR0582-001Z	FERRITE BEADS		
R1861	NRSA63J-101X	MG RESISTOR	100Ω 1/16W J		K1921	QQR0582-001Z	FERRITE BEADS		
R1862	NRSA63J-104X	MG RESISTOR	100kΩ 1/16W J		K1922	QQR0582-001Z	FERRITE BEADS		
R1863	NRSA63J-473X	MG RESISTOR	47kΩ 1/16W J		K1923	QQR0582-001Z	FERRITE BEADS		
△R1901	QRF074K-R47	UNF WW RESISTOR	0.47Ω 7W K		△LF1901	QQR0527-003	LINE FILTER		
R1902	QRE121J-473Y	C RESISTOR	47kΩ 1/2W J		△RY1901	QSK0085-001	RELAY		
R1903	QRE121J-473Y	C RESISTOR	47kΩ 1/2W J		S1401	QSL4A13-C02	LEVER SWITCH	V. CENTER	
R1904	QRT029J-R22	MF RESISTOR	0.22Ω 2W J		S1751	QSW0619-003Z	TACT SWITCH	POWER	
R1905	QRT029J-R22	MF RESISTOR	0.22Ω 2W J		S1752	QSW0619-003Z	TACT SWITCH	VOL +	
R1906	QRE121J-2R2Y	C RESISTOR	2.2Ω 2W J		S1753	QSW0619-003Z	TACT SWITCH	VOL -	
R1907	QRE121J-472Y	C RESISTOR	4.7kΩ 1/2W J		S1754	QSW0619-003Z	TACT SWITCH	CH +	
R1908	QRK126J-681X	UNF C RESISTOR	680Ω 1/2W J		S1755	QSW0619-003Z	TACT SWITCH	CH-	
R1910	QRE121J-684Y	C RESISTOR	680kΩ 1/2W J		S1756	QSW0619-003Z	TACT SWITCH	MENU	
R1911	QRG01GJ-470	OMF RESISTOR	47Ω 1W J		SF1101	QAX0723-001	SAW FILTER		
R1922	NRSA63J-102X	MG RESISTOR	1kΩ 1/16W J		△SK1351	QNZ0536-001	CRT SOCKET		
R1923	NRSA63J-473X	MG RESISTOR	47kΩ 1/16W J		△TH1901	QAD0129-3R0	P THERMISTOR	3Ω	
R1924	QRX01GJ-1R0	MF RESISTOR	1Ω 1W J		△TU1001	QAU0275-002	TUNER		
R1925	QRX01GJ-1R0	MF RESISTOR	1Ω 1W J		△VA1901	ERZV10V621CS	ZNR		
R1926	QRT029J-1R2	MF RESISTOR	1.2Ω 2W J		W1001	NRSA63J-0R0X	MG RESISTOR	0Ω 1/16W J	
R1927	QRT029J-1R2	MF RESISTOR	1.2Ω 2W J		W1002	NRSA63J-0R0X	MG RESISTOR	0Ω 1/16W J	
R1928	QRE121J-272Y	C RESISTOR	2.7kΩ 1/2W J		W1412	NRSA63J-0R0X	MG RESISTOR	0Ω 1/16W J	
R1929	QRE121J-223Y	C RESISTOR	22kΩ 1/2W J		W1728	NRSA63J-0R0X	MG RESISTOR	0Ω 1/16W J	
R1930	QRE121J-473Y	C RESISTOR	47kΩ 1/2W J		W1729	NRSA63J-0R0X	MG RESISTOR	0Ω 1/16W J	
R1932	NRSA63J-123X	MG RESISTOR	12kΩ 1/16W J		W1801	NRSA63J-0R0X	MG RESISTOR	0Ω 1/16W J	
R1933	NRSA63J-123X	MG RESISTOR	12kΩ 1/16W J		W1802	NRSA63J-0R0X	MG RESISTOR	0Ω 1/16W J	
R1934	NRSA63J-273X	MG RESISTOR	27kΩ 1/16W J		W1815	NRSA63J-0R0X	MG RESISTOR	0Ω 1/16W J	
R1935	NRSA63J-333X	MG RESISTOR	33kΩ 1/16W J		W1836	NRSA63J-0R0X	MG RESISTOR	0Ω 1/16W J	
R1936	QRE121J-103Y	C RESISTOR	10kΩ 1/2W J		X1701	QAX0717-001Z	CRYSTAL	8.000MHz	
R1938	QRE121J-103Y	C RESISTOR	10kΩ 1/2W J		Y1251	NRSA63J-0R0X	MG RESISTOR	0Ω 1/16W J	
R1939	QRE121J-103Y	C RESISTOR	10kΩ 1/2W J		Y1501	NRSA63J-0R0X	MG RESISTOR	0Ω 1/16W J	
R1941	QRG029J-180	OMF RESISTOR	18Ω 2W J		Y1605	NRSA63J-0R0X	MG RESISTOR	0Ω 1/16W J	
R1942	QRE121J-5R6Y	C RESISTOR	5.6Ω 1/2W J		Y1854	NRSA63J-0R0X	MG RESISTOR	0Ω 1/16W J	
R1943	QRE121J-820Y	C RESISTOR	82Ω 1/2W J						
△R1991	QRZ9041-275	C RESISTOR	2.7MΩ 1/2W K						

[AV-27D304/SA]
MAIN PW BOARD ASS'Y (SFE-1021A-M2)

△Ref No.	Part No.	Part Name	Description	Local
IC1101	M52342SP	IC		
IC1201	TM8812CPDNG4N35	IC(MCU)		
IC1251	TC90A49P	IC		
△IC1421	AN5522	IC		
IC1601	NJM2150AD	IC		
△IC1602	LA4446	IC		
IC1603	CXA2134Q-X	IC		
IC1702	AT24WC-27D304R	IC	(SERVICE)	
IC1703	S-80840CNY-T	IC		
IC1704	AN78L05-T	IC		
IC1751	GP1UM281QK	IR DETECT UNIT		
IC1851	TA1218AN	IC		
IC1901	STR-G5624A/F8	IC		
IC1921	AN7809F	IC		
IC1922	UPC7805AHF	IC		
Q1001	UN2212-X	DIGI TRANSISTOR		
Q1101	2SC5083/L-P/-T	TRANSISTOR		
Q1131	2SB709A/QR/-X	TRANSISTOR		
Q1161	2SD601A/QR/-X	TRANSISTOR		
Q1211	2SD601A/QR/-X	TRANSISTOR		
Q1232	2SD601A/QR/-X	TRANSISTOR		
Q1233	2SD601A/QR/-X	TRANSISTOR		
Q1251	2SD601A/QR/-X	TRANSISTOR		
Q1252	2SD601A/QR/-X	TRANSISTOR		
Q1281	2SB709A/QR/-X	TRANSISTOR		
Q1282	2SD601A/QR/-X	TRANSISTOR		
Q1283	2SB709A/QR/-X	TRANSISTOR		
Q1291	2SB709A/QR/-X	TRANSISTOR		
Q1292	2SD601A/QR/-X	TRANSISTOR		
Q1293	2SB709A/QR/-X	TRANSISTOR		
Q1301	2SC4544-LB	POW TRANSISTOR		
Q1311	2SC4544-LB	POW TRANSISTOR		
Q1321	2SC4544-LB	POW TRANSISTOR		
Q1331	2SD601A/QR/-X	TRANSISTOR		
Q1332	2SD601A/QR/-X	TRANSISTOR		
Q1352	2SD601A/QR/-X	TRANSISTOR		
Q1501	2SC4212/Z1/	TRANSISTOR		
△Q1521	2SD2634-YD	TRANSISTOR	H OUT	
Q1602	2SD601A/QR/-X	TRANSISTOR		
Q1681	2SD601A/QR/-X	TRANSISTOR		
Q1682	2SD601A/QR/-X	TRANSISTOR		
Q1683	2SD601A/QR/-X	TRANSISTOR		
Q1684	2SD601A/QR/-X	TRANSISTOR		
Q1701	2SB709A/QR/-X	TRANSISTOR		
Q1751	UN2112-X	DIGI TRANSISTOR		
Q1851	2SB709A/QR/-X	TRANSISTOR		
Q1921	2SD1383K/AB/-X	TRANSISTOR		
Q1922	2SC2785/JH/-T	SI TRANSISTOR		
Q1923	2SA1037AK/QR/-X	TRANSISTOR		
Q1924	2SA1208/ST/Z1-T	TRANSISTOR		
D1331	1SS133-T2	SI DIODE		
D1352	MTZJ9.1C-T2	Z.DIODE I M		
D1353	1SS133-T2	SI DIODE		
D1365	1SS133-T2	SI DIODE		
D1366	1SS133-T2	SI DIODE		
D1367	1SS133-T2	SI DIODE		
D1368	MTZJ5.1B-T2	Z DIODE		
D1369	MTZJ5.1B-T2	Z DIODE		
D1370	MTZJ5.1B-T2	Z DIODE		
D1401	1SR35-400A-T2	SI DIODE		
D1402	MTZJ75-T2	Z DIODE		
D1501	MTZJ3.3A-T2	Z DIODE		
D1521	1SR35-400A-T2	SI DIODE		
D1522	RH1S-T3	SI DIODE		
D1523	1SR35-400A-T2	SI DIODE		
D1524	RGP10J-5025-T3	SI DIODE		
D1525	MTZJ5.6A-T2	Z DIODE		
D1526	MA4068N/Z1/-T2	Z DIODE		
D1661	MTZJ9.1C-T2	Z.DIODE I M		
D1681	MTZJ9.1C-T2	Z.DIODE I M		
D1682	MTZJ9.1C-T2	Z.DIODE I M		
D1683	MTZJ9.1C-T2	Z.DIODE I M		
D1684	MTZJ9.1C-T2	Z.DIODE I M		
D1685	MTZJ9.1C-T2	Z.DIODE I M		
D1686	MTZJ9.1C-T2	Z.DIODE I M		
D1687	MTZJ9.1C-T2	Z.DIODE I M		
D1688	MTZJ9.1C-T2	Z.DIODE I M		
D1705	1SS133-T2	SI DIODE		
D1751	LG22440	LED	POWER / ON TIMER	
D1801	MTZJ9.1C-T2	Z.DIODE I M		
D1802	MTZJ9.1C-T2	Z.DIODE I M		

△Ref No.	Part No.	Part Name	Description	Local
D1803	MTZJ9.1C-T2	Z.DIODE I M		
D1804	MTZJ9.1C-T2	Z.DIODE I M		
D1807	MTZJ9.1C-T2	Z.DIODE I M		
D1831	MTZJ9.1C-T2	Z.DIODE I M		
D1832	MTZJ9.1C-T2	Z.DIODE I M		
D1833	MTZJ9.1C-T2	Z.DIODE I M		
D1834	MTZJ9.1C-T2	Z.DIODE I M		
△D1901	GSIB460-S1	BRIDGE DIODE		
D1902	RGP10J-5025-T3	SI DIODE		
D1903	RGP10J-5025-T3	SI DIODE		
D1904	RGP10J-5025-T3	SI DIODE		
D1905	SARS01-T2	SI DIODE		
D1907	MA700A-T2	SB DIODE		
D1908	MTZJ15C-T2	Z DIODE		
D1921	1SR35-400A-T2	SI DIODE		
D1922	1SR35-400A-T2	SI DIODE		
D1923	1SR35-400A-T2	SI DIODE		
D1924	1SR35-400A-T2	SI DIODE		
D1925	1SS133-T2	SI DIODE		
D1926	RU3AM-LFC4	SI DIODE		
D1927	RU3YX-LFC4	SI DIODE		
D1928	RU3YX-LFC4	SI DIODE		
D1929	MTZJ7.5A-T2	Z DIODE		
D1930	1SS133-T2	SI DIODE		
D1931	1SS133-T2	SI DIODE		
D1932	MTZJ33B-T2	Z DIODE		
D1933	1N4002G-T2	SI DIODE		
C1001	QETN1HM-475Z	E CAPACITOR	4.7uF 50V M	
C1002	NCB31HK-103X	C CAPACITOR	0.01uF 50V K	
C1003	QETN1VM-476Z	E CAPACITOR	47uF 35V M	
C1004	QETN1AM-477Z	E CAPACITOR	470uF 10V M	
C1005	NCB31HK-103X	C CAPACITOR	0.01uF 50V K	
C1101	NCB31HK-103X	C CAPACITOR	0.01uF 50V K	
C1102	NCB31HK-103X	C CAPACITOR	0.01uF 50V K	
C1104	NCB31HK-103X	C CAPACITOR	0.01uF 50V K	
C1105	NCB31HK-103X	C CAPACITOR	0.01uF 50V K	
C1106	QETN1EM-476Z	E CAPACITOR	47uF 25V M	
C1107	NCB31HK-103X	C CAPACITOR	0.01uF 50V K	
C1113	NCB31HK-103X	C CAPACITOR	0.01uF 50V K	
C1114	NCB31HK-103X	C CAPACITOR	0.01uF 50V K	
C1116	NCB31CK-224X	C CAPACITOR	0.22uF 16V K	
C1117	QETN1EM-476Z	E CAPACITOR	47uF 25V M	
C1118	NCB31HK-103X	C CAPACITOR	0.01uF 50V K	
C1119	NDC31HJ-681X	C CAPACITOR	680pF 50V J	
C1120	QETN1HM-474Z	E CAPACITOR	0.47uF 50V M	
C1124	NCB31HK-103X	C CAPACITOR	0.01uF 50V K	
C1131	NCB31HK-103X	C CAPACITOR	0.01uF 50V K	
C1161	QETN1HM-106Z	E CAPACITOR	10uF 50V M	
C1162	QETN1HM-106Z	E CAPACITOR	10uF 50V M	
C1163	NDC31HJ-470X	C CAPACITOR	47pF 50V J	
C1164	NDC31HJ-470X	C CAPACITOR	47pF 50V J	
C1165	NCB31HK-103X	C CAPACITOR	0.01uF 50V K	
C1166	NCB31HK-103X	C CAPACITOR	0.01uF 50V K	
C1202	QETN1HM-105Z	E CAPACITOR	1uF 50V M	
C1203	NCB31HK-152X	C CAPACITOR	1500pF 50V K	
C1211	QETN1HM-476Z	E CAPACITOR	47uF 50V M	
C1221	QETN1HM-106Z	E CAPACITOR	10uF 50V M	
C1222	NCB31HK-104X	C CAPACITOR	0.1uF 50V K	
C1223	NCB31HK-103X	C CAPACITOR	0.01uF 50V K	
C1233	NDC31HJ-680X	C CAPACITOR	68pF 50V J	
C1237	NCB31HK-103X	C CAPACITOR	0.01uF 50V K	
C1241	NCB31HK-103X	C CAPACITOR	0.01uF 50V K	
C1243	QETN1EM-476Z	E CAPACITOR	47uF 25V M	
C1244	NCB31HK-103X	C CAPACITOR	0.01uF 50V K	
C1247	QETN1HM-225Z	E CAPACITOR	2.2uF 50V M	
C1252	NDC31HJ-101X	C CAPACITOR	100pF 50V J	
C1253	NDC31HJ-470X	C CAPACITOR	47pF 50V J	
C1254	NDC31HJ-181X	C CAPACITOR	180pF 50V J	
C1261	NCB31HK-103X	C CAPACITOR	0.01uF 50V K	
C1262	QETN1EM-476Z	E CAPACITOR	47uF 25V M	
C1263	NCB31HK-103X	C CAPACITOR	0.01uF 50V K	
C1264	NCB31HK-103X	C CAPACITOR	0.01uF 50V K	
C1265	QETN1HM-474Z	E CAPACITOR	0.47uF 50V M	
C1266	NCB31HK-103X	C CAPACITOR	0.01uF 50V K	
C1267	NCB31HK-103X	C CAPACITOR	0.01uF 50V K	
C1268	QETN1EM-476Z	E CAPACITOR	47uF 25V M	
C1269	NCB31HK-103X	C CAPACITOR	0.01uF 50V K	
C1270	QETN1EM-476Z	E CAPACITOR	47uF 25V M	
C1272	NCB31HK-103X	C CAPACITOR	0.01uF 50V K	
C1273	NCB31HK-103X	C CAPACITOR	0.01uF 50V K	
C1274	NDC31HJ-181X	C CAPACITOR	180pF 50V J	
C1275	QETN1EM-476Z	E CAPACITOR	47uF 25V M	
C1276	NCB31HK-103X	C CAPACITOR	0.01uF 50V K	
C1277	NCB31HK-103X	C CAPACITOR	0.01uF 50V K	
C1278	NCB31HK-103X	C CAPACITOR	0.01uF 50V K	
C1283	NDC31HJ-330X	C CAPACITOR	33pF 50V J	

△Ref No.	Part No.	Part Name	Description	Local	△Ref No.	Part No.	Part Name	Description	Local
C1293	NDC31HJ-470X	C CAPACITOR	47pF 50V J		C1674	NCB31HK-472X	C CAPACITOR	4700pF 50V K	
C1302	NDC31HJ-331X	C CAPACITOR	330pF 50V J		C1675	QENC1HM-475Z	BP E CAPACITOR	4.7uF 50V M	
C1312	NDC31HJ-271X	C CAPACITOR	270pF 50V J		C1676	NCB31HK-104X	C CAPACITOR	0.1uF 50V K	
C1322	NDC31HJ-271X	C CAPACITOR	270pF 50V J		C1677	NCB31HK-472X	C CAPACITOR	4700pF 50V K	
C1331	QETN1HM-105Z	E CAPACITOR	1uF 50V M		C1681	QETN1HM-106Z	E CAPACITOR	10uF 50V M	
C1341	QETN1CM-107Z	E CAPACITOR	100uF 16V M		C1682	QETN1HM-106Z	E CAPACITOR	10uF 50V M	
△C1343	QCZ0121-102	C CAPACITOR	1000pF 3KV		C1683	QETN1HM-106Z	E CAPACITOR	10uF 50V M	
C1352	QETN1EM-476Z	E CAPACITOR	47uF 25V M		C1684	QETN1HM-106Z	E CAPACITOR	10uF 50V M	
C1354	NCB31HK-103X	C CAPACITOR	0.01uF 50V K		C1685	QETN1HM-106Z	E CAPACITOR	10uF 50V M	
C1361	QETN1EM-476Z	E CAPACITOR	47uF 25V M		C1686	QETN1HM-106Z	E CAPACITOR	10uF 50V M	
C1362	NCB31HK-103X	C CAPACITOR	0.01uF 50V K		C1687	QETN1HM-106Z	E CAPACITOR	10uF 50V M	
C1401	QFVF1HJ-474Z	MF CAPACITOR	0.47uF 50V J		C1688	QETN1HM-106Z	E CAPACITOR	10uF 50V M	
C1402	NCB31HK-102X	C CAPACITOR	1000pF 50V K		C1689	QETN1CM-336Z	E CAPACITOR	33uF 16V M	
C1403	QENC1CM-106Z	BP E CAPACITOR	10uF 16V M		C1701	NCB31HK-102X	C CAPACITOR	1000pF 50V K	
C1404	NCB31HK-222X	C CAPACITOR	2200pF 50V K		C1702	QETN1HM-106Z	E CAPACITOR	10uF 50V M	
C1405	QETN1HM-106Z	E CAPACITOR	10uF 50V M		C1703	QETN1HM-106Z	E CAPACITOR	10uF 50V M	
C1406	NCB31HK-102X	C CAPACITOR	1000pF 50V K		C1704	QETN1EM-476Z	E CAPACITOR	47uF 25V M	
C1407	QETN1VM-107Z	E CAPACITOR	100uF 50V M		C1705	NCB31HK-103X	C CAPACITOR	0.01uF 50V K	
C1408	QCS32HJ-100Z	C CAPACITOR	10pF 500V J		C1708	NDC31HJ-220X	C CAPACITOR	22pF 50V J	
C1409	QFLC2AK-104Z	M CAPACITOR	0.1uF 100V K		C1709	NDC31HJ-220X	C CAPACITOR	22pF 50V J	
C1410	QFLC2AK-104Z	M CAPACITOR	0.1uF 100V K		C1711	QETN1EM-476Z	E CAPACITOR	47uF 25V M	
C1411	QETN1VM-228	E CAPACITOR	2200uF 35V M		C1712	NCB31HK-103X	C CAPACITOR	0.01uF 50V K	
C1412	QETN1HM-225Z	E CAPACITOR	2.2uF 50V M		C1716	QETN1HM-106Z	E CAPACITOR	10uF 50V M	
C1501	QETN1EM-476Z	E CAPACITOR	47uF 25V M		C1751	QETN1EM-476Z	E CAPACITOR	47uF 25V M	
C1502	NCB31HK-103X	C CAPACITOR	0.01uF 50V K		C1801	QETN1HM-106Z	E CAPACITOR	10uF 50V M	
C1503	NCB31HK-103X	C CAPACITOR	0.01uF 50V K		C1802	QETN1HM-106Z	E CAPACITOR	10uF 50V M	
C1504	QETN1HM-225Z	E CAPACITOR	2.2uF 50V M		C1803	QETN1HM-105Z	E CAPACITOR	1uF 50V M	
C1505	NCB31AK-474X	C CAPACITOR	0.47uF 10V K		C1804	QETN1HM-106Z	E CAPACITOR	10uF 50V M	
C1506	QETN1EM-476Z	E CAPACITOR	47uF 25V M		C1807	NCB31HK-103X	C CAPACITOR	0.01uF 50V K	
C1507	NCB31HK-103X	C CAPACITOR	0.01uF 50V K		C1815	NCB31HK-103X	C CAPACITOR	0.01uF 50V K	
C1508	QCB32HK-151Z	C CAPACITOR	150pF 500V K		C1831	NCB31HK-104X	C CAPACITOR	0.1uF 50V K	
C1509	QCB32HK-331Z	C CAPACITOR	330pF 500V K		C1832	NCB31HK-104X	C CAPACITOR	0.1uF 50V K	
C1510	QETN2EM-225Z	E CAPACITOR	2.2uF 250V M		C1833	NCB31HK-104X	C CAPACITOR	0.1uF 50V K	
C1522	QFZ0198-133	MPP CAPACITOR	0.013uF 1.5V		C1834	QETN1HM-106Z	E CAPACITOR	10uF 50V M	
C1523	QFZ0199-564	MPP CAPACITOR	0.56uF 250V		C1851	NCB31HK-103X	C CAPACITOR	0.01uF 50V K	
C1524	QCB32HK-561Z	C CAPACITOR	560pF 500V K		C1852	NCB31HK-103X	C CAPACITOR	0.01uF 50V K	
C1525	QEZO203-107	E CAPACITOR	100uF 160V M		C1853	QETN1HM-106Z	E CAPACITOR	10uF 50V M	
C1526	QFLC1HJ-823Z	M CAPACITOR	0.082uF 50V J		C1854	NCB31HK-103X	C CAPACITOR	0.01uF 50V K	
C1527	QETN2EM-106Z	E CAPACITOR	10uF 250V M		C1855	NCB31HK-103X	C CAPACITOR	0.01uF 50V K	
C1528	QETN1VM-108Z	E CAPACITOR	1000uF 35V M		C1856	NCB31HK-103X	C CAPACITOR	0.01uF 50V K	
C1529	QETN1VM-476Z	E CAPACITOR	47uF 35V M		C1857	QETN1HM-106Z	E CAPACITOR	10uF 50V M	
C1530	QFLC2AK-104Z	M CAPACITOR	0.1uF 100V K		C1858	NCB31HK-103X	C CAPACITOR	0.01uF 50V K	
C1601	NCF31AZ-105X	C CAPACITOR	1uF 10V Z		C1859	NCB31HK-103X	C CAPACITOR	0.01uF 50V K	
C1602	NCF31AZ-105X	C CAPACITOR	1uF 10V Z		C1860	NCB31HK-103X	C CAPACITOR	0.01uF 50V K	
C1603	NCB31HK-332X	C CAPACITOR	3300pF 50V K		C1861	QETN1EM-476Z	E CAPACITOR	47uF 25V M	
C1604	NCB31HK-332X	C CAPACITOR	3300pF 50V K		C1862	QETN1HM-106Z	E CAPACITOR	10uF 50V M	
C1605	NCB31HK-333X	C CAPACITOR	0.033uF 50V K		△C1901	QFZ9072-104	MM CAPACITOR	0.1uF AC250V K	
C1606	NCB31HK-333X	C CAPACITOR	0.033uF 50V K		△C1902	QFZ9072-104	MM CAPACITOR	0.1uF AC250V K	
C1607	QETN1HM-106Z	E CAPACITOR	10uF 50V M		C1903	QEZO561-477	E CAPACITOR	470uF 200V	
C1608	QETN1HM-106Z	E CAPACITOR	10uF 50V M		△C1904	QCZ9054-102	C CAPACITOR	1000pF AC250V Z	
C1609	QETN1EM-476Z	E CAPACITOR	47uF 25V M		△C1905	QCZ9054-102	C CAPACITOR	1000pF AC250V Z	
C1610	NCB31HK-103X	C CAPACITOR	0.01uF 50V K		C1907	QETN1HM-476Z	E CAPACITOR	47uF 50V M	
C1614	QETN1CM-477Z	E CAPACITOR	470uF 16V M		C1908	QCZ0340-332	C CAPACITOR	3300pF 2kV K	
C1616	QETN1HM-475Z	E CAPACITOR	4.7uF 50V M		C1909	NCB31HK-182X	C CAPACITOR	1800pF 50V K	
C1617	QETN1CM-227Z	E CAPACITOR	220uF 16V M		C1910	NDC31HJ-471X	C CAPACITOR	470pF 50V J	
C1618	QETN1CM-107Z	E CAPACITOR	100uF 16V M		C1911	QFP32GJ-103Z	PP CAPACITOR	0.01uF 400V J	
C1619	QETN1CM-477Z	E CAPACITOR	470uF 16V M		C1921	QETN1EM-477Z	E CAPACITOR	470uF 25V M	
C1620	NCF31CZ-104X	C CAPACITOR	0.1uF 16V Z		C1923	QEZO203-107	E CAPACITOR	100uF 160V M	
C1622	QETN1HM-475Z	E CAPACITOR	4.7uF 50V M		C1924	QETN2CM-476Z	E CAPACITOR	47uF 160V M	
C1623	QETN1CM-227Z	E CAPACITOR	220uF 16V M		C1925	QETN1CM-108Z	E CAPACITOR	1000uF 16V M	
C1624	QETN1CM-107Z	E CAPACITOR	100uF 16V M		C1926	QETN1CM-107Z	E CAPACITOR	100uF 16V M	
C1625	QETN1CM-477Z	E CAPACITOR	470uF 16V M		C1927	QETN1CM-477Z	E CAPACITOR	470uF 16V M	
C1626	NCF31CZ-104X	C CAPACITOR	0.1uF 16V Z		C1929	QCZ0340-102	C CAPACITOR	1000pF 2kV K	
C1627	QETN1CM-227Z	E CAPACITOR	220uF 16V M		C1930	QCB32HK-102Z	C CAPACITOR	1000pF 500V K	
C1651	QENC1HM-475Z	BP E CAPACITOR	4.7uF 50V M		C1931	QCB32HK-102Z	C CAPACITOR	1000pF 500V K	
C1652	NCB31HK-104X	C CAPACITOR	0.1uF 50V K		C1932	QETN0JM-107Z	E CAPACITOR	100uF 6.3V M	
C1653	QENC1HM-475Z	BP E CAPACITOR	4.7uF 50V M		C1933	QETN1VM-476Z	E CAPACITOR	47uF 35V M	
C1654	NCB31HK-562X	C CAPACITOR	5600pF 50V K		C1935	QETN1CM-476Z	E CAPACITOR	47uF 16V M	
C1655	NCB31HK-123X	C CAPACITOR	0.012uF 50V K		C1940	NCB31HK-103X	C CAPACITOR	0.01uF 50V K	
C1656	QETN1HM-105Z	E CAPACITOR	1uF 50V M		C1941	QETN1CM-107Z	E CAPACITOR	100uF 16V M	
C1657	QETN1HM-106Z	E CAPACITOR	10uF 50V M		C1942	QETN1CM-107Z	E CAPACITOR	100uF 16V M	
C1658	QETN1HM-106Z	E CAPACITOR	10uF 50V M		C1943	NCB31HK-103X	C CAPACITOR	0.01uF 50V K	
C1659	QETN1HM-475Z	E CAPACITOR	4.7uF 50V M		C1944	QETN1CM-107Z	E CAPACITOR	100uF 16V M	
C1660	QETN1EM-476Z	E CAPACITOR	47uF 25V M		C1945	NCB31HK-103X	C CAPACITOR	0.01uF 50V K	
C1661	NCB31HK-103X	C CAPACITOR	0.01uF 50V K		△C1991	QCZ9074-103	C CAPACITOR	0.01uF 250V	
C1662	QENC1HM-475Z	BP E CAPACITOR	4.7uF 50V M		△C1992	QCZ9074-103	C CAPACITOR	0.01uF 250V	
C1663	QETN1HM-475Z	E CAPACITOR	4.7uF 50V M		R1003	NRSA63J-221X	MG RESISTOR	220Ω 1/16W J	
C1664	QENC1HM-475Z	BP E CAPACITOR	4.7uF 50V M		R1004	NRSA63J-221X	MG RESISTOR	220Ω 1/16W J	
C1665	NCB31HK-272X	C CAPACITOR	2700pF 50V K		R1005	NRSA63J-0R0X	MG RESISTOR	0Ω 1/16W J	
C1666	NCB31HK-473X	C CAPACITOR	0.047uF 50V K		R1006	NRSA63J-223X	MG RESISTOR	22kΩ 1/16W J	
C1667	QETN1HM-335Z	E CAPACITOR	3.3uF 50V M		R1008	NRSA63J-820X	MG RESISTOR	82Ω 1/16W J	
C1668	QENC1HM-475Z	BP E CAPACITOR	4.7uF 50V M		R1101	NRSA63J-562X	MG RESISTOR	5.6kΩ 1/16W J	
C1669	QETN1HM-106Z	E CAPACITOR	10uF 50V M		R1102	NRSA63J-182X	MG RESISTOR	1.8kΩ 1/16W J	
C1670	QETN1HM-105Z	E CAPACITOR	1uF 50V M		R1103	QRE121J-101Y	C RESISTOR	100Ω 1/2W J	
C1671	QETN1HM-106Z	E CAPACITOR	10uF 50V M		R1104	NRSA63J-180X	MG RESISTOR	18Ω 1/16W J	
C1672	QETN1HM-106Z	E CAPACITOR	10uF 50V M		R1105	NRSA63J-270X	MG RESISTOR	27Ω 1/16W J	
C1673	NCB31HK-223X	C CAPACITOR	0.022uF 50V K						

△Ref No.	Part No.	Part Name	Description	Local	△Ref No.	Part No.	Part Name	Description	Local
R1111	NRSA63J-394X	MG RESISTOR	390kΩ 1/16W J		R1408	QRE121J-681Y	C RESISTOR	680Ω 1/2W J	
R1112	NRSA63J-334X	MG RESISTOR	330kΩ 1/16W J		R1409	QRX01GJ-1R0	MF RESISTOR	1Ω 1W J	
R1113	NRSA63J-101X	MG RESISTOR	100Ω 1/16W J		R1411	NRSA63J-123X	MG RESISTOR	12kΩ 1/16W J	
R1115	NRSA63J-101X	MG RESISTOR	100Ω 1/16W J		R1412	NRSA63J-153X	MG RESISTOR	15kΩ 1/16W J	
R1116	NRSA63J-680X	MG RESISTOR	68Ω 1/16W J		R1414	NRSA63J-103X	MG RESISTOR	10kΩ 1/16W J	
R1117	NRSA63J-273X	MG RESISTOR	27kΩ 1/16W J		R1416	QRE121J-102Y	C RESISTOR	1kΩ 1/2W J	
R1131	NRSA63J-102X	MG RESISTOR	1kΩ 1/16W J		R1501	NRSA63J-472X	MG RESISTOR	4.7kΩ 1/16W J	
R1132	NRSA63J-221X	MG RESISTOR	220Ω 1/16W J		R1502	NRSA63J-681X	MG RESISTOR	680Ω 1/16W J	
R1133	NRSA63J-821X	MG RESISTOR	820Ω 1/16W J		R1504	NRSA63J-392X	MG RESISTOR	3.9kΩ 1/16W J	
R1134	NRSA63J-681X	MG RESISTOR	680Ω 1/16W J		R1505	NRSA63J-154X	MG RESISTOR	150kΩ 1/16W J	
R1135	NRSA63J-102X	MG RESISTOR	1kΩ 1/16W J		R1506	NRSA63J-471X	MG RESISTOR	470Ω 1/16W J	
R1161	NRSA63J-332X	MG RESISTOR	3.3kΩ 1/16W J		R1507	NRSA63J-561X	MG RESISTOR	560Ω 1/16W J	
R1163	NRSA63J-223X	MG RESISTOR	22kΩ 1/16W J		R1508	NRSA63J-101X	MG RESISTOR	100Ω 1/16W J	
R1164	NRSA63J-102X	MG RESISTOR	1kΩ 1/16W J		R1509	NRSA63J-271X	MG RESISTOR	270Ω 1/16W J	
R1165	NRSA63J-223X	MG RESISTOR	22kΩ 1/16W J		R1510	QRE121J-103Y	C RESISTOR	10kΩ 1/2W J	
R1166	NRSA63J-103X	MG RESISTOR	10kΩ 1/16W J		R1511	QRG029J-182	OMF RESISTOR	1.8kΩ 2W J	
R1167	NRSA63J-102X	MG RESISTOR	1kΩ 1/16W J		R1512	QRG029J-182	OMF RESISTOR	1.8kΩ 2W J	
R1168	NRSA63J-101X	MG RESISTOR	100Ω 1/16W J		R1521	QRE121J-220Y	C RESISTOR	22Ω 1/2W J	
R1169	NRSA63J-561X	MG RESISTOR	560Ω 1/16W J		R1522	QRE121J-681Y	C RESISTOR	680Ω 1/2W J	
R1171	NRSA63J-103X	MG RESISTOR	10kΩ 1/16W J		R1523	QRL039J-152	OMF RESISTOR	1.5kΩ 3W J	
R1201	NRSA63J-223X	MG RESISTOR	22kΩ 1/16W J		R1524	QRE121J-224Y	C RESISTOR	220kΩ 1/2W J	
R1212	NRSA63J-272X	MG RESISTOR	2.7kΩ 1/16W J		R1525	QRE121J-184Y	C RESISTOR	180kΩ 1/2W J	
R1215	NRSA63J-562X	MG RESISTOR	5.6kΩ 1/16W J		R1526	QRK129J-150	UNF C RESISTOR	15Ω 1/2W J	
R1216	NRSA63J-562X	MG RESISTOR	5.6kΩ 1/16W J		R1527	QRX01GJ-1R0	MF RESISTOR	1Ω 1W J	
R1217	NRSA63J-102X	MG RESISTOR	1kΩ 1/16W J		R1528	QRE121J-103Y	C RESISTOR	10kΩ 1/2W J	
R1227	NRSA63J-104X	MG RESISTOR	100kΩ 1/16W J		R1529	QRK126J-4R7X	UNF C RESISTOR	4.7Ω 1/2W J	
R1231	NRSA63J-182X	MG RESISTOR	1.8kΩ 1/16W J		R1530	QRX029J-1R5	MF RESISTOR	1.5Ω 2W J	
R1232	NRSA63J-392X	MG RESISTOR	3.9kΩ 1/16W J		R1531	NRZ0032-7151X	CMF RESISTOR	7.15kΩ	
R1233	NRSA63J-332X	MG RESISTOR	3.3kΩ 1/16W J		R1533	NRZ0032-2941X	CMF RESISTOR	2.94kΩ	
R1234	NRSA63J-152X	MG RESISTOR	1.5kΩ 1/16W J		R1541	QRE121J-683Y	C RESISTOR	68kΩ 1/2W J	
R1235	NRSA63J-102X	MG RESISTOR	1kΩ 1/16W J		R1601	NRSA63J-223X	MG RESISTOR	22kΩ 1/16W J	
R1251	NRSA63J-332X	MG RESISTOR	3.3kΩ 1/16W J		R1602	NRSA63J-223X	MG RESISTOR	22kΩ 1/16W J	
R1252	NRSA63J-103X	MG RESISTOR	10kΩ 1/16W J		R1603	NRSA63J-223X	MG RESISTOR	22kΩ 1/16W J	
R1253	NRSA63J-102X	MG RESISTOR	1kΩ 1/16W J		R1604	NRSA63J-223X	MG RESISTOR	22kΩ 1/16W J	
R1254	NRSA63J-181X	MG RESISTOR	180Ω 1/16W J		R1605	NRSA63J-0R0X	MG RESISTOR	0Ω 1/16W J	
R1255	NRSA63J-152X	MG RESISTOR	1.5kΩ 1/16W J		R1607	NRSA63J-0R0X	MG RESISTOR	0Ω 1/16W J	
R1256	NRSA63J-152X	MG RESISTOR	1.5kΩ 1/16W J		R1609	NRSA63J-103X	MG RESISTOR	10kΩ 1/16W J	
R1257	NRSA63J-222X	MG RESISTOR	2.2kΩ 1/16W J		R1614	QRL039J-100	OMF RESISTOR	10Ω 3W J	
R1261	NRSA63J-101X	MG RESISTOR	100Ω 1/16W J		R1615	NRSA63J-123X	MG RESISTOR	12kΩ 1/16W J	
R1262	NRSA63J-101X	MG RESISTOR	100Ω 1/16W J		R1616	NRSA63J-123X	MG RESISTOR	12kΩ 1/16W J	
R1263	NRSA63J-101X	MG RESISTOR	100Ω 1/16W J		R1617	NRSA63J-332X	MG RESISTOR	3.3kΩ 1/16W J	
R1264	NRSA63J-821X	MG RESISTOR	820Ω 1/16W J		R1618	NRSA63J-332X	MG RESISTOR	3.3kΩ 1/16W J	
R1282	NRSA63J-222X	MG RESISTOR	2.2kΩ 1/16W J		R1619	NRSA63J-471X	MG RESISTOR	470Ω 1/16W J	
R1283	NRSA63J-821X	MG RESISTOR	820Ω 1/16W J		R1620	NRSA63J-471X	MG RESISTOR	470Ω 1/16W J	
R1285	NRSA63J-331X	MG RESISTOR	330Ω 1/16W J		R1621	QRE121J-4R7Y	C RESISTOR	4.7Ω 1/2W J	
R1286	NRSA63J-102X	MG RESISTOR	1kΩ 1/16W J		R1622	QRE121J-4R7Y	C RESISTOR	4.7Ω 1/2W J	
R1287	NRSA63J-102X	MG RESISTOR	1kΩ 1/16W J		R1625	NRSA63J-103X	MG RESISTOR	10kΩ 1/16W J	
R1288	NRSA63J-0R0X	MG RESISTOR	0Ω 1/16W J		R1627	NRSA63J-101X	MG RESISTOR	100Ω 1/16W J	
R1292	NRSA63J-222X	MG RESISTOR	2.2kΩ 1/16W J		R1631	QRX029J-3R3	MF RESISTOR	3.3Ω 2W J	
R1293	NRSA63J-471X	MG RESISTOR	470Ω 1/16W J		R1651	NRSA63J-101X	MG RESISTOR	100Ω 1/16W J	
R1295	NRSA63J-331X	MG RESISTOR	330Ω 1/16W J		R1652	NRSA63J-101X	MG RESISTOR	100Ω 1/16W J	
R1296	NRSA63J-102X	MG RESISTOR	1kΩ 1/16W J		R1653	NRSA63J-105X	MG RESISTOR	1MΩ 1/16W J	
R1297	NRSA63J-102X	MG RESISTOR	1kΩ 1/16W J		R1654	NRSA63J-104X	MG RESISTOR	100kΩ 1/16W J	
R1298	NRSA63J-0R0X	MG RESISTOR	0Ω 1/16W J		R1655	NRSA63J-682X	MG RESISTOR	6.8kΩ 1/16W J	
R1301	NRSA63J-151X	MG RESISTOR	150Ω 1/16W J		R1656	NRSA63J-123X	MG RESISTOR	12kΩ 1/16W J	
R1302	QRL029J-123	OMF RESISTOR	12kΩ 2W J		R1657	NRSA63F-623X	MG RESISTOR	62kΩ 1/16W F	
R1303	QRZ0111-152	C RESISTOR	1.5kΩ 1/2W K		R1658	NRSA63J-332X	MG RESISTOR	3.3kΩ 1/16W J	
R1304	NRSA63J-332X	MG RESISTOR	3.3kΩ 1/16W J		R1659	NRSA63J-302X	MG RESISTOR	3kΩ 1/16W J	
R1305	NRSA63J-271X	MG RESISTOR	270Ω 1/16W J		R1661	NRSA63J-392X	MG RESISTOR	3.9kΩ 1/16W J	
R1306	NRSA63J-101X	MG RESISTOR	100Ω 1/16W J		R1662	NRSA63J-681X	MG RESISTOR	680Ω 1/16W J	
R1311	NRSA63J-151X	MG RESISTOR	150Ω 1/16W J		R1663	NRSA63J-681X	MG RESISTOR	680Ω 1/16W J	
R1312	QRL029J-123	OMF RESISTOR	12kΩ 2W J		R1664	NRSA63J-101X	MG RESISTOR	100Ω 1/16W J	
R1313	QRZ0111-152	C RESISTOR	1.5kΩ 1/2W K		R1665	NRSA63J-101X	MG RESISTOR	100Ω 1/16W J	
R1314	NRSA63J-332X	MG RESISTOR	3.3kΩ 1/16W J		R1666	NRSA63J-101X	MG RESISTOR	100Ω 1/16W J	
R1315	NRSA63J-271X	MG RESISTOR	270Ω 1/16W J		R1667	NRSA63J-101X	MG RESISTOR	100Ω 1/16W J	
R1316	NRSA63J-101X	MG RESISTOR	100Ω 1/16W J		R1681	NRSA63J-681X	MG RESISTOR	680Ω 1/16W J	
R1321	NRSA63J-151X	MG RESISTOR	150Ω 1/16W J		R1682	NRSA63J-681X	MG RESISTOR	680Ω 1/16W J	
R1322	QRL029J-123	OMF RESISTOR	12kΩ 2W J		R1683	NRSA63J-223X	MG RESISTOR	22kΩ 1/16W J	
R1323	QRZ0111-152	C RESISTOR	1.5kΩ 1/2W K		R1684	NRSA63J-223X	MG RESISTOR	22kΩ 1/16W J	
R1324	NRSA63J-332X	MG RESISTOR	3.3kΩ 1/16W J		R1685	NRSA63J-223X	MG RESISTOR	22kΩ 1/16W J	
R1325	NRSA63J-271X	MG RESISTOR	270Ω 1/16W J		R1686	NRSA63J-223X	MG RESISTOR	22kΩ 1/16W J	
R1326	NRSA63J-101X	MG RESISTOR	100Ω 1/16W J		R1687	NRSA63J-221X	MG RESISTOR	220Ω 1/16W J	
R1331	NRSA63J-223X	MG RESISTOR	22kΩ 1/16W J		R1688	NRSA63J-221X	MG RESISTOR	220Ω 1/16W J	
R1332	NRSA63J-101X	MG RESISTOR	100Ω 1/16W J		R1691	NRSA63J-823X	MG RESISTOR	82kΩ 1/16W J	
R1333	NRSA63J-103X	MG RESISTOR	10kΩ 1/16W J		R1692	NRSA63J-823X	MG RESISTOR	82kΩ 1/16W J	
R1354	NRSA63J-331X	MG RESISTOR	330Ω 1/16W J		R1701	NRSA63J-102X	MG RESISTOR	1kΩ 1/16W J	
R1356	NRSA63J-123X	MG RESISTOR	12kΩ 1/16W J		R1702	NRSA63J-102X	MG RESISTOR	1kΩ 1/16W J	
R1359	NRSA63J-103X	MG RESISTOR	10kΩ 1/16W J		R1703	NRSA63J-103X	MG RESISTOR	10kΩ 1/16W J	
R1360	NRSA63J-0R0X	MG RESISTOR	0Ω 1/16W J		R1704	NRSA63J-472X	MG RESISTOR	4.7kΩ 1/16W J	
R1364	NRSA63J-101X	MG RESISTOR	100Ω 1/16W J		R1705	NRSA63J-472X	MG RESISTOR	4.7kΩ 1/16W J	
R1365	NRSA63J-101X	MG RESISTOR	100Ω 1/16W J		R1706	NRSA63J-472X	MG RESISTOR	4.7kΩ 1/16W J	
R1366	NRSA63J-101X	MG RESISTOR	100Ω 1/16W J		R1707	NRSA63J-103X	MG RESISTOR	10kΩ 1/16W J	
R1401	NRSA63J-102X	MG RESISTOR	1kΩ 1/16W J		R1708	NRSA63J-101X	MG RESISTOR	100Ω 1/16W J	
R1402	NRSA63J-472X	MG RESISTOR	4.7kΩ 1/16W J		R1709	NRSA63J-101X	MG RESISTOR	100Ω 1/16W J	
R1403	NRSA63J-103X	MG RESISTOR	10kΩ 1/16W J		R1714	NRSA63J-823X	MG RESISTOR	82kΩ 1/16W J	
R1405	NRSA63J-103X	MG RESISTOR	10kΩ 1/16W J		R1715	NRSA63J-101X	MG RESISTOR	100Ω 1/16W J	
R1407	QRE121J-681Y	C RESISTOR	680Ω 1/2W J		R1718	NRSA63J-223X	MG RESISTOR	22kΩ 1/16W J	

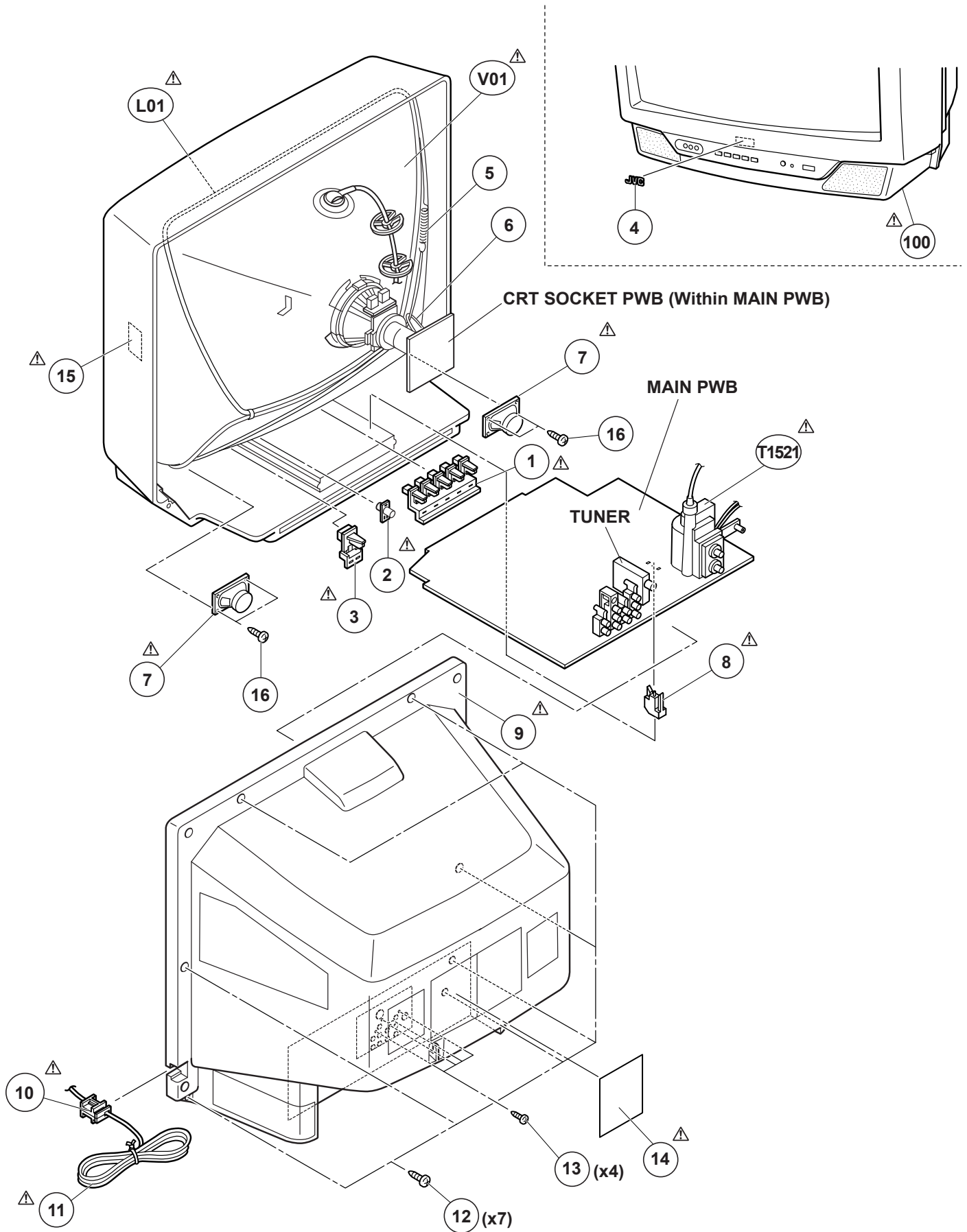
ΔRef No.	Part No.	Part Name	Description	Local	ΔRef No.	Part No.	Part Name	Description	Local
R1720	QRJ149J-1R0	UNF C RESISTOR	1Ω 1/4W J						
R1721	NRSA63J-102X	MG RESISTOR	1kΩ 1/16W J		L1101	QQLZ014-R39	COIL	0.39uH 100mA L	
R1729	NRSA63J-223X	MG RESISTOR	22kΩ 1/16W J		L1131	QQL244K-220Z	COIL	22uH K	
R1731	NRSA63J-101X	MG RESISTOR	100Ω 1/16W J		L1161	QQL244K-220Z	COIL	22uH K	
R1732	NRSA63J-101X	MG RESISTOR	100Ω 1/16W J		L1232	QQL244K-560Z	COIL	56uH K	
R1733	NRSA63J-472X	MG RESISTOR	4.7kΩ 1/16W J		L1251	QQL244K-4R7Z	COIL	4.7uH K	
R1734	NRSA63J-472X	MG RESISTOR	4.7kΩ 1/16W J		L1281	QQL244K-150Z	COIL	15uH K	
R1739	NRSA63J-272X	MG RESISTOR	2.7kΩ 1/16W J		L1291	QQL244K-150Z	COIL	15uH K	
R1740	NRSA63J-101X	MG RESISTOR	100Ω 1/16W J		L1341	QQL03BJ-390Z	P COIL	39uH J	
R1751	NRSA63J-102X	MG RESISTOR	1kΩ 1/16W J		L1521	QQR1027-004	LINEARITY COIL		
R1752	NRSA63J-102X	MG RESISTOR	1kΩ 1/16W J		L1921	QQL26AK-470Z	COIL	47uH K	
R1753	NRSA63J-152X	MG RESISTOR	1.5kΩ 1/16W J		L1922	QQL26AK-470Z	COIL	47uH K	
R1754	NRSA63J-272X	MG RESISTOR	2.7kΩ 1/16W J		T1111	QQR0907-001	IFT		
R1755	NRSA63J-562X	MG RESISTOR	5.6kΩ 1/16W J		T1501	CE42034-002	HOR DRIVE TRANS		
R1756	NRSA63J-122X	MG RESISTOR	1.2kΩ 1/16W J		ΔT1901	QQT0355-001	POWER TRANSF		
R1757	NRSA63J-101X	MG RESISTOR	100Ω 1/16W J		ΔT1921	QQS0158-001	SW TRANSF		
R1758	NRSA63J-101X	MG RESISTOR	100Ω 1/16W J						
R1764	NRSA63J-471X	MG RESISTOR	470Ω 1/16W J		CF1001	QAX0349-001	C TRAP		
R1765	NRSA63J-471X	MG RESISTOR	470Ω 1/16W J		CF1131	QAX0639-001Z	C TRAP	4.500MHz	
R1766	NRSA63J-471X	MG RESISTOR	470Ω 1/16W J		CF1161	QAX0642-001Z	C FILTER	4.500MHz	
R1767	NRSA63J-471X	MG RESISTOR	470Ω 1/16W J		CN100C	QGA2501F1-06	CONNECTOR	W-B (1-6)	
R1768	NRSA63J-682X	MG RESISTOR	6.8kΩ 1/16W J		CN100S	QGA2501C5-04Z	CONNECTOR	W-B (1-4)	
R1769	NRSA63J-102X	MG RESISTOR	1kΩ 1/16W J		CN100T	CHGC05-480	CONNECTOR WIRE		
R1770	NRSA63J-103X	MG RESISTOR	10kΩ 1/16W J		CN100U	CHGC04-400	CONNECTOR ASSY		
R1771	NRSA63J-153X	MG RESISTOR	15kΩ 1/16W J		CN10B1	CH41169-R03Y	EH POST HEADER		
R1772	NRSA63J-103X	MG RESISTOR	10kΩ 1/16W J		CN10E1	CHGT0015-0B	CONNECTOR ASSY		
R1773	NRSA63J-103X	MG RESISTOR	10kΩ 1/16W J		CN10HV	QZG5004C1-06	CONNECTOR	(1-6)	
R1774	NRSA63J-103X	MG RESISTOR	10kΩ 1/16W J		ΔCN1DEG	QGA7901C1-02	CONNECTOR	W-B (1-2)	
R1775	NRSA63J-103X	MG RESISTOR	10kΩ 1/16W J		CN1HHS	CH41169-R03Y	EH POST HEADER		
R1776	NRSA63J-101X	MG RESISTOR	100Ω 1/16W J		ΔF1901	QMF51N1-5R0-J5	FUSE	5A AC125V	
R1777	NRSA63J-101X	MG RESISTOR	100Ω 1/16W J		ΔFC1901	CEMG002-001Z	FUSE CLIP	(x2)	
R1778	NRSA63J-103X	MG RESISTOR	10kΩ 1/16W J		ΔH1002	LC30381-001A	HEAT SINK/FE-P/		
R1801	NRSA63J-680X	MG RESISTOR	68Ω 1/16W J		ΔH1602	CEHE014-001WU	HEAT SINK		
R1802	NRSA63J-750X	MG RESISTOR	75Ω 1/16W J		ΔHS1004	LC31696-001A	HEAT SINK/AL-F/		
R1803	NRSA63J-750X	MG RESISTOR	75Ω 1/16W J		ΔHS1009	LC31678-001A	HEAT SINK/AL-F/		
R1804	NRSA63J-750X	MG RESISTOR	75Ω 1/16W J		J1001	QNZ0454-001	AV JACK	S / V / L / R IN	
R1805	NRSA63J-101X	MG RESISTOR	100Ω 1/16W J		J1002	QNN0348-001	PIN JACK	L / R OUT	
R1821	NRSA63J-124X	MG RESISTOR	120kΩ 1/16W J		J1003	QNN0349-002	PIN JACK	V / L / R IN	
R1831	NRSA63J-750X	MG RESISTOR	75Ω 1/16W J		J1004	QNN0348-001	PIN JACK	L / R IN	
R1832	NRSA63J-750X	MG RESISTOR	75Ω 1/16W J		J1005	CEMN065-001	PIN JACK	V IN	
R1833	NRSA63J-750X	MG RESISTOR	75Ω 1/16W J		J1006	CEMN065-002	PIN JACK	L IN	
R1834	NRSA63J-101X	MG RESISTOR	100Ω 1/16W J		J1007	CEMN072-003	PIN JACK	R IN	
R1835	NRSA63J-101X	MG RESISTOR	100Ω 1/16W J		K1001	QQR0582-001Z	FERRITE BEADS		
R1836	NRSA63J-101X	MG RESISTOR	100Ω 1/16W J		K1101	QQR0582-001Z	FERRITE BEADS		
R1851	NRSA63J-101X	MG RESISTOR	100Ω 1/16W J		K1251	QQR0582-001Z	FERRITE BEADS		
R1852	NRSA63J-101X	MG RESISTOR	100Ω 1/16W J		K1253	QQR0582-001Z	FERRITE BEADS		
R1853	NRSA63J-101X	MG RESISTOR	100Ω 1/16W J		K1254	QQR0582-001Z	FERRITE BEADS		
R1854	NRSA63J-101X	MG RESISTOR	100Ω 1/16W J		K1401	QQR0582-001Z	FERRITE BEADS		
R1855	NRSA63J-153X	MG RESISTOR	15kΩ 1/16W J		K1701	QQR0582-001Z	FERRITE BEADS		
R1856	NRSA63J-101X	MG RESISTOR	100Ω 1/16W J		K1702	QQR0582-001Z	FERRITE BEADS		
R1857	NRSA63J-103X	MG RESISTOR	10kΩ 1/16W J		K1901	QQR0582-001Z	FERRITE BEADS		
R1858	NRSA63J-101X	MG RESISTOR	100Ω 1/16W J		K1902	QQR0582-001Z	FERRITE BEADS		
R1859	NRSA63J-101X	MG RESISTOR	100Ω 1/16W J		K1903	QQR0582-001Z	FERRITE BEADS		
R1860	NRSA63J-101X	MG RESISTOR	100Ω 1/16W J		K1904	QQR0582-001Z	FERRITE BEADS		
R1861	NRSA63J-101X	MG RESISTOR	100Ω 1/16W J		K1921	QQR0582-001Z	FERRITE BEADS		
R1862	NRSA63J-104X	MG RESISTOR	100kΩ 1/16W J		K1922	QQR0582-001Z	FERRITE BEADS		
R1863	NRSA63J-473X	MG RESISTOR	47kΩ 1/16W J		K1923	QQR0582-001Z	FERRITE BEADS		
ΔR1901	QRF074K-R47	UNF WW RESISTOR	0.47Ω 7W K		ΔLF1901	QQR0527-003	LINE FILTER		
R1902	QRE121J-473Y	C RESISTOR	47kΩ 1/2W J		ΔRY1901	QSK0085-001	RELAY		
R1903	QRE121J-473Y	C RESISTOR	47kΩ 1/2W J		S1401	QSL4A13-C02	LEVER SWITCH	V. CENTER	
R1904	QRT029J-R22	MF RESISTOR	0.22Ω 2W J		S1751	QSW0619-003Z	TACT SWITCH	POWER	
R1905	QRT029J-R22	MF RESISTOR	0.22Ω 2W J		S1752	QSW0619-003Z	TACT SWITCH	VOL +	
R1906	QRE121J-2R2Y	C RESISTOR	2.2Ω 2W J		S1753	QSW0619-003Z	TACT SWITCH	VOL -	
R1907	QRE121J-472Y	C RESISTOR	4.7kΩ 1/2W J		S1754	QSW0619-003Z	TACT SWITCH	CH +	
R1908	QRK126J-681X	UNF C RESISTOR	680Ω 1/2W J		S1755	QSW0619-003Z	TACT SWITCH	CH-	
R1910	QRE121J-684Y	C RESISTOR	680kΩ 1/2W J		S1756	QSW0619-003Z	TACT SWITCH	MENU	
R1911	QRG01GJ-470	OMF RESISTOR	47Ω 1W J		SF1101	QAX0723-001	SAW FILTER		
R1922	NRSA63J-102X	MG RESISTOR	1kΩ 1/16W J		ΔSK1351	QNZ0536-001	CRT SOCKET		
R1923	NRSA63J-473X	MG RESISTOR	47kΩ 1/16W J		ΔTH1901	QAD0129-3R0	P THERMISTOR	3Ω	
R1924	QRX01GJ-1R0	MF RESISTOR	1Ω 1W J		ΔTU1001	QAU0275-002	TUNER		
R1925	QRX01GJ-1R0	MF RESISTOR	1Ω 1W J		ΔVA1901	ERZV10V621CS	ZNR		
R1926	QRT029J-1R2	MF RESISTOR	1.2Ω 2W J		W1001	NRSA63J-0R0X	MG RESISTOR	0Ω 1/16W J	
R1927	QRT029J-1R2	MF RESISTOR	1.2Ω 2W J		W1002	NRSA63J-0R0X	MG RESISTOR	0Ω 1/16W J	
R1928	QRE121J-272Y	C RESISTOR	2.7kΩ 1/2W J		W1412	NRSA63J-0R0X	MG RESISTOR	0Ω 1/16W J	
R1929	QRE121J-223Y	C RESISTOR	22kΩ 1/2W J		W1728	NRSA63J-0R0X	MG RESISTOR	0Ω 1/16W J	
R1930	QRE121J-473Y	C RESISTOR	47kΩ 1/2W J		W1729	NRSA63J-0R0X	MG RESISTOR	0Ω 1/16W J	
R1932	NRSA63J-123X	MG RESISTOR	12kΩ 1/16W J		W1801	NRSA63J-0R0X	MG RESISTOR	0Ω 1/16W J	
R1933	NRSA63J-123X	MG RESISTOR	12kΩ 1/16W J		W1802	NRSA63J-0R0X	MG RESISTOR	0Ω 1/16W J	
R1934	NRSA63J-273X	MG RESISTOR	27kΩ 1/16W J		W1815	NRSA63J-0R0X	MG RESISTOR	0Ω 1/16W J	
R1935	NRSA63J-333X	MG RESISTOR	33kΩ 1/16W J		W1836	NRSA63J-0R0X	MG RESISTOR	0Ω 1/16W J	
R1936	QRE121J-103Y	C RESISTOR	10kΩ 1/2W J		X1701	QAX0717-001Z	CRYSTAL	8.000MHz	
R1938	QRE121J-103Y	C RESISTOR	10kΩ 1/2W J		Y1251	NRSA63J-0R0X	MG RESISTOR	0Ω 1/16W J	
R1939	QRE121J-103Y	C RESISTOR	10kΩ 1/2W J		Y1501	NRSA63J-0R0X	MG RESISTOR	0Ω 1/16W J	
R1941	QRG029J-180	OMF RESISTOR	18Ω 2W J		Y1605	NRSA63J-0R0X	MG RESISTOR	0Ω 1/16W J	
R1942	QRE121J-5R6Y	C RESISTOR	5.6Ω 1/2W J		Y1854	NRSA63J-0R0X	MG RESISTOR	0Ω 1/16W J	
R1943	QRE121J-820Y	C RESISTOR	82Ω 1/2W J						
ΔR1991	QRZ9041-275	C RESISTOR	2.7MΩ 1/2W K						

[AV-27430 / AV-27432]

EXPLODED VIEW PARTS LIST

△ Ref.No.	Part No.	Part Name	Description	Local
△ V01	A68ADT25X01	ITC	Included Dr. PC magnet	AV-27430/RA,AV-27432/RA
△ V01	A68QDN891X001	ITC	Included Dr. PC magnet	AV-27430/SA,AV-27432/SA
△ L01	CE41329-00DJB	DEG COIL		AV-27430/RA,AV-27432/RA
△ L01	QQW0134-001	DEG COIL		AV-27430/SA,AV-27432/SA
△ T1521	QQH0129-001	FB TRANSF		
△ 1	LC30271-001A-A	CONTROL KNOB		AV-27430/RA,AV-27430/SA
△ 1	LC30271-004A-A	CONTROL KNOB		AV-27432/RA,AV-27432/SA
△ 2	LC30191-001C-A	REMOCON LENS		
△ 3	LC30376-001A-A	POWER KNOB		AV-27430/RA,AV-27430/SA
△ 3	LC30376-004A-A	POWER KNOB		AV-27432/RA,AV-27432/SA
4	CM48006-006-C	JVC MARK		AV-27430/RA,AV-27430/SA
4	CM48006-007-C	JVC MARK		AV-27432/RA,AV-27432/SA
5	CHGB0016-0C	BRAIDED ASSY		
6	CHGB0015-0B	BRAIDED ASSY		
△ 7	QAS0054-001	SPEAKER	(x2)SP01,02	
△ 8	CM48144-001-A	PB STOPPER		
△ 9	LC10082-005A-A	REAR COVER		AV-27430/RA,AV-27430/SA
△ 9	LC10082-003A-A	REAR COVER		AV-27432/RA,AV-27432/SA
△ 10	LC20106-001D-A	POWER CORD CLAMP		
△ 11	QMPD390-200-JS	POWER CORD(US/CA)	2m BLACK	
12	QYSBSFG4016Z	TAP SCREW	4mm x 16mm(x7)	
13	QYSBSB3010Z	TAP SCREW	3mm x 10mm(x4)	
△ 14	LC31139-001A-A	RATING LABEL		
△ 15	GQ30034-001B-A	WARNING LABEL		
16	QYSBSB4012Z	TAP SCREW	4mm x 12mm(x4)	
△ 100	LC10081-004B-A	FRONT CABINET		AV-27430/RA,AV-27430/SA
△ 100	LC10081-008A-A	FRONT CABINET		AV-27432/RA,AV-27432/SA

EXPLODED VIEW



PRINTED WIRING BOARD PARTS LIST

[AV-27430/RA]

MAIN PW BOARD ASS'Y (SFE1028A-M2)

△Ref No.	Part No.	Part Name	Description	Local	△Ref No.	Part No.	Part Name	Description	Local
IC1101	M52342SP	IC			D1801	MTZJ9.1C-T2	Z.DIODE I M		
IC1201	TM8812CPDNG4N35	IC(MCU)			D1802	MTZJ9.1C-T2	Z.DIODE I M		
IC1251	TC90A49P	IC			D1803	MTZJ9.1C-T2	Z.DIODE I M		
△IC1421	AN5522	IC			D1804	MTZJ9.1C-T2	Z.DIODE I M		
△IC1602	LA4446	IC			D1807	MTZJ9.1C-T2	Z.DIODE I M		
IC1603	CXA2134Q-X	IC			D1831	MTZJ9.1C-T2	Z.DIODE I M		
IC1702	AT24WC-27430R	IC	(SERVICE)		D1834	MTZJ9.1C-T2	Z.DIODE I M		
IC1703	S-80840CNY-T	IC			△D1901	GSIB460-S1	BRIDGE DIODE		
IC1704	AN78L05-T	IC			D1902	RGP10J-5025-T3	SI DIODE		
IC1751	GP1UM281QK	IR DETECT UNIT			D1903	RGP10J-5025-T3	SI DIODE		
IC1851	TA1218AN	IC			D1904	RGP10J-5025-T3	SI DIODE		
IC1901	STR-G5624A/F8	IC			D1905	SARS01-T2	SI DIODE		
IC1921	AN7809F	IC			D1907	MA700A-T2	SB DIODE		
IC1922	UPC7805AHF	IC			D1908	MTZJ15C-T2	Z DIODE		
Q1001	UN2212-X	DIGI TRANSISTOR			D1921	1SR35-400A-T2	SI DIODE		
Q1101	2SC5083/L-P/-T	TRANSISTOR			D1922	1SR35-400A-T2	SI DIODE		
Q1131	2SB709A/QR/-X	TRANSISTOR			D1923	1SR35-400A-T2	SI DIODE		
Q1161	2SD601A/QR/-X	TRANSISTOR			D1924	1SR35-400A-T2	SI DIODE		
Q1211	2SD601A/QR/-X	TRANSISTOR			D1925	1SS133-T2	SI DIODE		
Q1232	2SD601A/QR/-X	TRANSISTOR			D1926	RU3AM-LFC4	SI DIODE		
Q1233	2SD601A/QR/-X	TRANSISTOR			D1927	RU3YX-LFC4	SI DIODE		
Q1251	2SD601A/QR/-X	TRANSISTOR			D1928	RU3YX-LFC4	SI DIODE		
Q1252	2SD601A/QR/-X	TRANSISTOR			D1929	MTZJ7.5A-T2	Z DIODE		
Q1281	2SB709A/QR/-X	TRANSISTOR			D1930	1SS133-T2	SI DIODE		
Q1282	2SD601A/QR/-X	TRANSISTOR			D1931	1SS133-T2	SI DIODE		
Q1283	2SB709A/QR/-X	TRANSISTOR			D1932	MTZJ33B-T2	Z DIODE		
Q1291	2SB709A/QR/-X	TRANSISTOR			D1933	1N4002G-T2	SI DIODE		
Q1292	2SD601A/QR/-X	TRANSISTOR			C1001	QETN1HM-475Z	E CAPACITOR	4.7uF 50V M	
Q1293	2SB709A/QR/-X	TRANSISTOR			C1002	NCB31HK-103X	C CAPACITOR	0.01uF 50V K	
Q1301	2SC4544-LB	POW TRANSISTOR			C1003	QETN1VM-476Z	E CAPACITOR	47uF 35V M	
Q1311	2SC4544-LB	POW TRANSISTOR			C1004	QETN1AM-477Z	E CAPACITOR	470uF 10V M	
Q1321	2SC4544-LB	POW TRANSISTOR			C1005	NCB31HK-103X	C CAPACITOR	0.01uF 50V K	
Q1331	2SD601A/QR/-X	TRANSISTOR			C1101	NCB31HK-103X	C CAPACITOR	0.01uF 50V K	
Q1332	2SD601A/QR/-X	TRANSISTOR			C1102	NCB31HK-103X	C CAPACITOR	0.01uF 50V K	
Q1352	2SD601A/QR/-X	TRANSISTOR			C1104	NCB31HK-103X	C CAPACITOR	0.01uF 50V K	
Q1501	2SC4212/Z1/	TRANSISTOR			C1105	NCB31HK-103X	C CAPACITOR	0.01uF 50V K	
△Q1521	2SD2634-YD	TRANSISTOR	H OUT		C1106	QETN1EM-476Z	E CAPACITOR	47uF 25V M	
Q1602	2SD601A/QR/-X	TRANSISTOR			C1107	NCB31HK-103X	C CAPACITOR	0.01uF 50V K	
Q1681	2SD601A/QR/-X	TRANSISTOR			C1113	NCB31HK-103X	C CAPACITOR	0.01uF 50V K	
Q1682	2SD601A/QR/-X	TRANSISTOR			C1114	NCB31HK-103X	C CAPACITOR	0.01uF 50V K	
Q1683	2SD601A/QR/-X	TRANSISTOR			C1116	NCB31CK-224X	C CAPACITOR	0.22uF 16V K	
Q1684	2SD601A/QR/-X	TRANSISTOR			C1117	QETN1EM-476Z	E CAPACITOR	47uF 25V M	
Q1701	2SB709A/QR/-X	TRANSISTOR			C1118	NCB31HK-103X	C CAPACITOR	0.01uF 50V K	
Q1751	UN2112-X	DIGI TRANSISTOR			C1119	NDC31HJ-681X	C CAPACITOR	680pF 50V J	
Q1851	2SB709A/QR/-X	TRANSISTOR			C1120	QETN1HM-474Z	E CAPACITOR	0.47uF 50V M	
Q1921	2SD1383K/AB/-X	TRANSISTOR			C1124	NCB31HK-103X	C CAPACITOR	0.01uF 50V K	
Q1922	2SC2785/JH/-T	SI TRANSISTOR			C1131	NCB31HK-103X	C CAPACITOR	0.01uF 50V K	
Q1923	2SA1037AK/QR/-X	TRANSISTOR			C1161	QETN1HM-106Z	E CAPACITOR	10uF 50V M	
Q1924	2SA1208/ST/Z1-T	TRANSISTOR			C1162	QETN1HM-106Z	E CAPACITOR	10uF 50V M	
D1331	1SS133-T2	SI DIODE			C1163	NDC31HJ-470X	C CAPACITOR	47pF 50V J	
D1352	MTZJ9.1C-T2	Z.DIODE I M			C1164	NDC31HJ-470X	C CAPACITOR	47pF 50V J	
D1353	1SS133-T2	SI DIODE			C1165	NCB31HK-103X	C CAPACITOR	0.01uF 50V K	
D1365	1SS133-T2	SI DIODE			C1166	NCB31HK-103X	C CAPACITOR	0.01uF 50V K	
D1366	1SS133-T2	SI DIODE			C1202	QETN1HM-105Z	E CAPACITOR	1uF 50V M	
D1367	1SS133-T2	SI DIODE			C1203	NCB31HK-152X	C CAPACITOR	1500pF 50V K	
D1368	MTZJ5.1B-T2	Z DIODE			C1211	QETN1HM-476Z	E CAPACITOR	47uF 50V M	
D1369	MTZJ5.1B-T2	Z DIODE			C1221	QETN1HM-106Z	E CAPACITOR	10uF 50V M	
D1370	MTZJ5.1B-T2	Z DIODE			C1222	NCB31HK-104X	C CAPACITOR	0.1uF 50V K	
D1401	1SR35-400A-T2	SI DIODE			C1223	NCB31HK-103X	C CAPACITOR	0.01uF 50V K	
D1402	MTZJ75-T2	Z DIODE			C1233	NDC31HJ-680X	C CAPACITOR	68pF 50V J	
D1501	MTZJ3.3A-T2	Z DIODE			C1237	NCB31HK-103X	C CAPACITOR	0.01uF 50V K	
D1521	1SR35-400A-T2	SI DIODE			C1241	NCB31HK-103X	C CAPACITOR	0.01uF 50V K	
D1522	RH1S-T3	SI DIODE			C1243	QETN1EM-476Z	E CAPACITOR	47uF 25V M	
D1523	1SR35-400A-T2	SI DIODE			C1244	NCB31HK-103X	C CAPACITOR	0.01uF 50V K	
D1524	RGP10J-5025-T3	SI DIODE			C1247	QETN1HM-225Z	E CAPACITOR	2.2uF 50V M	
D1525	MTZJ5.6A-T2	Z DIODE			C1252	NDC31HJ-101X	C CAPACITOR	100pF 50V J	
D1526	MA4068N/Z1/-T2	Z DIODE			C1253	NDC31HJ-470X	C CAPACITOR	47pF 50V J	
D1661	MTZJ9.1C-T2	Z.DIODE I M			C1254	NDC31HJ-181X	C CAPACITOR	180pF 50V J	
D1681	MTZJ9.1C-T2	Z.DIODE I M			C1261	NCB31HK-103X	C CAPACITOR	0.01uF 50V K	
D1682	MTZJ9.1C-T2	Z.DIODE I M			C1262	QETN1EM-476Z	E CAPACITOR	47uF 25V M	
D1683	MTZJ9.1C-T2	Z.DIODE I M			C1263	NCB31HK-103X	C CAPACITOR	0.01uF 50V K	
D1684	MTZJ9.1C-T2	Z.DIODE I M			C1264	NCB31HK-103X	C CAPACITOR	0.01uF 50V K	
D1685	MTZJ9.1C-T2	Z.DIODE I M			C1265	QETN1HM-474Z	E CAPACITOR	0.47uF 50V M	
D1686	MTZJ9.1C-T2	Z.DIODE I M			C1266	NCB31HK-103X	C CAPACITOR	0.01uF 50V K	
D1687	MTZJ9.1C-T2	Z.DIODE I M			C1267	NCB31HK-103X	C CAPACITOR	0.01uF 50V K	
D1688	MTZJ9.1C-T2	Z.DIODE I M			C1268	QETN1EM-476Z	E CAPACITOR	47uF 25V M	
D1705	1SS133-T2	SI DIODE			C1269	NCB31HK-103X	C CAPACITOR	0.01uF 50V K	
D1751	LG22440	LED	POWER / ON TIMER		C1270	QETN1EM-476Z	E CAPACITOR	47uF 25V M	
					C1272	NCB31HK-103X	C CAPACITOR	0.01uF 50V K	
					C1273	NCB31HK-103X	C CAPACITOR	0.01uF 50V K	
					C1274	NDC31HJ-181X	C CAPACITOR	180pF 50V J	
					C1275	QETN1EM-476Z	E CAPACITOR	47uF 25V M	
					C1276	NCB31HK-103X	C CAPACITOR	0.01uF 50V K	

△Ref No.	Part No.	Part Name	Description	Local	△Ref No.	Part No.	Part Name	Description	Local
C1277	NCB31HK-103X	C CAPACITOR	0.01uF 50V K		C1684	QETN1HM-106Z	E CAPACITOR	10uF 50V M	
C1278	NCB31HK-103X	C CAPACITOR	0.01uF 50V K		C1685	QETN1HM-106Z	E CAPACITOR	10uF 50V M	
C1283	NDC31HJ-330X	C CAPACITOR	33pF 50V J		C1686	QETN1HM-106Z	E CAPACITOR	10uF 50V M	
C1293	NDC31HJ-470X	C CAPACITOR	47pF 50V J		C1687	QETN1HM-106Z	E CAPACITOR	10uF 50V M	
C1302	NDC31HJ-331X	C CAPACITOR	330pF 50V J		C1688	QETN1HM-106Z	E CAPACITOR	10uF 50V M	
C1312	NDC31HJ-271X	C CAPACITOR	270pF 50V J		C1689	QETN1CM-336Z	E CAPACITOR	33uF 16V M	
C1322	NDC31HJ-271X	C CAPACITOR	270pF 50V J		C1701	NCB31HK-102X	C CAPACITOR	1000pF 50V K	
C1331	QETN1HM-105Z	E CAPACITOR	1uF 50V M		C1702	QETN1HM-106Z	E CAPACITOR	10uF 50V M	
C1341	QETN1CM-107Z	E CAPACITOR	100uF 16V M		C1703	QETN1HM-106Z	E CAPACITOR	10uF 50V M	
△C1343	QCZ0121-102	C CAPACITOR	1000pF 3KV		C1704	QETN1EM-476Z	E CAPACITOR	47uF 25V M	
C1352	QETN1EM-476Z	E CAPACITOR	47uF 25V M		C1705	NCB31HK-103X	C CAPACITOR	0.01uF 50V K	
C1354	NCB31HK-103X	C CAPACITOR	0.01uF 50V K		C1708	NDC31HJ-220X	C CAPACITOR	22pF 50V J	
C1361	QETN1EM-476Z	E CAPACITOR	47uF 25V M		C1709	NDC31HJ-220X	C CAPACITOR	22pF 50V J	
C1362	NCB31HK-103X	C CAPACITOR	0.01uF 50V K		C1711	QETN1EM-476Z	E CAPACITOR	47uF 25V M	
C1401	QFVF1HJ-474Z	MF CAPACITOR	0.47uF 50V J		C1712	NCB31HK-103X	C CAPACITOR	0.01uF 50V K	
C1402	NCB31HK-102X	C CAPACITOR	1000pF 50V K		C1716	QETN1HM-106Z	E CAPACITOR	10uF 50V M	
C1403	QENC1CM-106Z	BP E CAPACITOR	10uF 16V M		C1751	QETN1EM-476Z	E CAPACITOR	47uF 25V M	
C1404	NCB31HK-222X	C CAPACITOR	2200pF 50V K		C1801	QETN1HM-106Z	E CAPACITOR	10uF 50V M	
C1405	QETN1HM-106Z	E CAPACITOR	10uF 50V M		C1802	QETN1HM-106Z	E CAPACITOR	10uF 50V M	
C1406	NCB31HK-102X	C CAPACITOR	1000pF 50V K		C1803	QETN1HM-105Z	E CAPACITOR	1uF 50V M	
C1407	QETN1VM-107Z	E CAPACITOR	100uF 35V M		C1804	QETN1HM-106Z	E CAPACITOR	10uF 50V M	
C1408	QCS32HJ-100Z	C CAPACITOR	10pF 500V J		C1807	NCB31HK-103X	C CAPACITOR	0.01uF 50V K	
C1409	QFLC2AK-104Z	M CAPACITOR	0.1uF 100V K		C1815	NCB31HK-103X	C CAPACITOR	0.01uF 50V K	
C1410	QFLC2AK-104Z	M CAPACITOR	0.1uF 100V K		C1831	NCB31HK-104X	C CAPACITOR	0.1uF 50V K	
C1411	QETM1VM-228	E CAPACITOR	2200uF 35V M		C1834	QETN1HM-106Z	E CAPACITOR	10uF 50V M	
C1412	QETN1HM-225Z	E CAPACITOR	2.2uF 50V M		C1835	NCB31HK-103X	C CAPACITOR	0.01uF 50V K	
C1501	QETN1EM-476Z	E CAPACITOR	47uF 25V M		C1836	NCB31HK-103X	C CAPACITOR	0.01uF 50V K	
C1502	NCB31HK-103X	C CAPACITOR	0.01uF 50V K		C1837	NCB31HK-103X	C CAPACITOR	0.01uF 50V K	
C1503	NCB31HK-103X	C CAPACITOR	0.01uF 50V K		C1851	NCB31HK-103X	C CAPACITOR	0.01uF 50V K	
C1504	QETN1HM-225Z	E CAPACITOR	2.2uF 50V M		C1852	NCB31HK-103X	C CAPACITOR	0.01uF 50V K	
C1505	NCB31AK-474X	C CAPACITOR	0.47uF 10V K		C1853	QETN1HM-106Z	E CAPACITOR	10uF 50V M	
C1506	QETN1EM-476Z	E CAPACITOR	47uF 25V M		C1854	NCB31HK-103X	C CAPACITOR	0.01uF 50V K	
C1507	NCB31HK-103X	C CAPACITOR	0.01uF 50V K		C1855	NCB31HK-103X	C CAPACITOR	0.01uF 50V K	
C1508	QCB32HK-151Z	C CAPACITOR	150pF 500V K		C1856	NCB31HK-103X	C CAPACITOR	0.01uF 50V K	
C1509	QCB32HK-331Z	C CAPACITOR	330pF 500V K		C1857	QETN1HM-106Z	E CAPACITOR	10uF 50V M	
C1510	QETN2EM-225Z	E CAPACITOR	2.2uF 250V M		C1858	NCB31HK-103X	C CAPACITOR	0.01uF 50V K	
C1522	QFZ0198-123	MPP CAPACITOR	0.012uF 1.5KV		C1859	NCB31HK-103X	C CAPACITOR	0.01uF 50V K	
C1523	QFZ0199-564	MPP CAPACITOR	0.56uF 250V		C1860	NCB31HK-103X	C CAPACITOR	0.01uF 50V K	
C1524	QCB32HK-561Z	C CAPACITOR	560pF 500V K		C1861	QETN1EM-476Z	E CAPACITOR	47uF 25V M	
C1525	QEZO203-107	E CAPACITOR	100uF 160V M		C1862	QETN1HM-106Z	E CAPACITOR	10uF 50V M	
C1526	QFLC1HJ-823Z	M CAPACITOR	0.082uF 50V J		△C1901	QFZ9072-104	MM CAPACITOR	0.1uF AC250V K	
C1527	QETN2EM-106Z	E CAPACITOR	10uF 250V M		△C1902	QFZ9072-104	MM CAPACITOR	0.1uF AC250V K	
C1528	QETN1VM-108Z	E CAPACITOR	1000uF 35V M		C1903	QEZO561-477	E CAPACITOR	470uF 200V	
C1529	QETN1VM-476Z	E CAPACITOR	47uF 35V M		△C1904	QCZ9054-102	C CAPACITOR	1000pF AC250V Z	
C1530	QFLC2AK-104Z	M CAPACITOR	0.1uF 100V K		△C1905	QCZ9054-102	C CAPACITOR	1000pF AC250V Z	
C1614	QETN1CM-477Z	E CAPACITOR	470uF 16V M		C1907	QETN1HM-476Z	E CAPACITOR	47uF 50V M	
C1616	QETN1HM-475Z	E CAPACITOR	4.7uF 50V M		C1908	QCZ0340-33Z	C CAPACITOR	3300pF 2kV K	
C1617	QETN1CM-227Z	E CAPACITOR	220uF 16V M		C1909	NCB31HK-182X	C CAPACITOR	1800pF 50V K	
C1618	QETN1CM-107Z	E CAPACITOR	100uF 16V M		C1910	NDC31HJ-471X	C CAPACITOR	470pF 50V J	
C1619	QETN1CM-477Z	E CAPACITOR	470uF 16V M		C1911	QFP32GJ-103Z	PP CAPACITOR	0.01uF 400V J	
C1620	NCF31CZ-104X	C CAPACITOR	0.1uF 16V Z		C1921	QETN1EM-477Z	E CAPACITOR	470uF 25V M	
C1622	QETN1HM-475Z	E CAPACITOR	4.7uF 50V M		C1923	QEZO203-107	E CAPACITOR	100uF 160V M	
C1623	QETN1CM-227Z	E CAPACITOR	220uF 16V M		C1924	QETN2CM-476Z	E CAPACITOR	47uF 160V M	
C1624	QETN1CM-107Z	E CAPACITOR	100uF 16V M		C1925	QETN1CM-108Z	E CAPACITOR	1000uF 16V M	
C1625	QETN1CM-477Z	E CAPACITOR	470uF 16V M		C1926	QETN1CM-107Z	E CAPACITOR	100uF 16V M	
C1626	NCF31CZ-104X	C CAPACITOR	0.1uF 16V Z		C1927	QETN1CM-477Z	E CAPACITOR	470uF 16V M	
C1627	QETN1CM-227Z	E CAPACITOR	220uF 16V M		C1929	QCZ0340-102	C CAPACITOR	1000pF 2kV K	
C1651	QENC1HM-475Z	BP E CAPACITOR	4.7uF 50V M		C1930	QCB32HK-102Z	C CAPACITOR	1000pF 500V K	
C1652	NCB31HK-104X	C CAPACITOR	0.1uF 50V K		C1931	QCB32HK-102Z	C CAPACITOR	1000pF 500V K	
C1653	QENC1HM-475Z	BP E CAPACITOR	4.7uF 50V M		C1932	QETN0JM-107Z	E CAPACITOR	100uF 6.3V M	
C1654	NCB31HK-562X	C CAPACITOR	5600pF 50V K		C1933	QETN1VM-476Z	E CAPACITOR	47uF 35V M	
C1655	NCB31HK-123X	C CAPACITOR	0.012uF 50V K		C1935	QETN1CM-476Z	E CAPACITOR	47uF 16V M	
C1656	QETN1HM-105Z	E CAPACITOR	1uF 50V M		C1940	NCB31HK-103X	C CAPACITOR	0.01uF 50V K	
C1657	QETN1HM-106Z	E CAPACITOR	10uF 50V M		C1941	QETN1CM-107Z	E CAPACITOR	100uF 16V M	
C1658	QETN1HM-106Z	E CAPACITOR	10uF 50V M		C1942	QETN1CM-107Z	E CAPACITOR	100uF 16V M	
C1659	QETN1HM-475Z	E CAPACITOR	4.7uF 50V M		C1943	NCB31HK-103X	C CAPACITOR	0.01uF 50V K	
C1660	QETN1EM-476Z	E CAPACITOR	47uF 25V M		C1944	QETN1CM-107Z	E CAPACITOR	100uF 16V M	
C1661	NCB31HK-103X	C CAPACITOR	0.01uF 50V K		C1945	NCB31HK-103X	C CAPACITOR	0.01uF 50V K	
C1662	QENC1HM-475Z	BP E CAPACITOR	4.7uF 50V M		△C1991	QCZ9074-103	C CAPACITOR	0.01uF 250V	
C1663	QETN1HM-475Z	E CAPACITOR	4.7uF 50V M		△C1992	QCZ9074-103	C CAPACITOR	0.01uF 250V	
C1664	QENC1HM-475Z	BP E CAPACITOR	4.7uF 50V M						
C1665	NCB31HK-272X	C CAPACITOR	2700pF 50V K		R1003	NRSA63J-221X	MG RESISTOR	220Ω 1/16W J	
C1666	NCB31HK-473X	C CAPACITOR	0.047uF 50V K		R1004	NRSA63J-221X	MG RESISTOR	220Ω 1/16W J	
C1667	QETN1HM-335Z	E CAPACITOR	3.3uF 50V M		R1005	NRSA63J-0R0X	MG RESISTOR	0Ω 1/16W J	
C1668	QENC1HM-475Z	BP E CAPACITOR	4.7uF 50V M		R1006	NRSA63J-223X	MG RESISTOR	22kΩ 1/16W J	
C1669	QETN1HM-106Z	E CAPACITOR	10uF 50V M		R1008	NRSA63J-820X	MG RESISTOR	82Ω 1/16W J	
C1670	QETN1HM-105Z	E CAPACITOR	1uF 50V M		R1101	NRSA63J-562X	MG RESISTOR	5.6kΩ 1/16W J	
C1671	QETN1HM-106Z	E CAPACITOR	10uF 50V M		R1102	NRSA63J-182X	MG RESISTOR	1.8kΩ 1/16W J	
C1672	QETN1HM-106Z	E CAPACITOR	10uF 50V M		R1103	QRE121J-101Y	C RESISTOR	100Ω 1/2W J	
C1673	NCB31HK-223X	C CAPACITOR	0.022uF 50V K		R1104	NRSA63J-180X	MG RESISTOR	18Ω 1/16W J	
C1674	NCB31HK-472X	C CAPACITOR	4700pF 50V K		R1105	NRSA63J-270X	MG RESISTOR	27Ω 1/16W J	
C1675	QENC1HM-475Z	BP E CAPACITOR	4.7uF 50V M		R1111	NRSA63J-394X	MG RESISTOR	390kΩ 1/16W J	
C1676	NCB31HK-104X	C CAPACITOR	0.1uF 50V K		R1112	NRSA63J-334X	MG RESISTOR	330kΩ 1/16W J	
C1677	NCB31HK-472X	C CAPACITOR	4700pF 50V K		R1113	NRSA63J-101X	MG RESISTOR	100Ω 1/16W J	
C1681	QETN1HM-106Z	E CAPACITOR	10uF 50V M		R1115	NRSA63J-101X	MG RESISTOR	100Ω 1/16W J	
C1682	QETN1HM-106Z	E CAPACITOR	10uF 50V M		R1116	NRSA63J-680X	MG RESISTOR	68Ω 1/16W J	
C1683	QETN1HM-106Z	E CAPACITOR	10uF 50V M		R1117	NRSA63J-273X	MG RESISTOR	27kΩ 1/16W J	

△Ref No.	Part No.	Part Name	Description	Local	△Ref No.	Part No.	Part Name	Description	Local
R1131	NRSA63J-102X	MG RESISTOR	1kΩ 1/16W J		R1501	NRSA63J-472X	MG RESISTOR	4.7kΩ 1/16W J	
R1132	NRSA63J-221X	MG RESISTOR	220Ω 1/16W J		R1502	NRSA63J-681X	MG RESISTOR	680Ω 1/16W J	
R1133	NRSA63J-821X	MG RESISTOR	820Ω 1/16W J		R1504	NRSA63J-392X	MG RESISTOR	3.9kΩ 1/16W J	
R1134	NRSA63J-681X	MG RESISTOR	680Ω 1/16W J		R1505	NRSA63J-154X	MG RESISTOR	150kΩ 1/16W J	
R1135	NRSA63J-102X	MG RESISTOR	1kΩ 1/16W J		R1506	NRSA63J-471X	MG RESISTOR	470Ω 1/16W J	
R1161	NRSA63J-332X	MG RESISTOR	3.3kΩ 1/16W J		R1507	NRSA63J-561X	MG RESISTOR	560Ω 1/16W J	
R1163	NRSA63J-223X	MG RESISTOR	22kΩ 1/16W J		R1508	NRSA63J-101X	MG RESISTOR	100Ω 1/16W J	
R1164	NRSA63J-102X	MG RESISTOR	1kΩ 1/16W J		R1509	NRSA63J-271X	MG RESISTOR	270Ω 1/16W J	
R1165	NRSA63J-223X	MG RESISTOR	22kΩ 1/16W J		R1510	QRE121J-103Y	C RESISTOR	10kΩ 1/2W J	
R1166	NRSA63J-103X	MG RESISTOR	10kΩ 1/16W J		R1511	QRG029J-182	OMF RESISTOR	1.8kΩ 2W J	
R1167	NRSA63J-102X	MG RESISTOR	1kΩ 1/16W J		R1512	QRG029J-182	OMF RESISTOR	1.8kΩ 2W J	
R1168	NRSA63J-101X	MG RESISTOR	100Ω 1/16W J		R1521	QRE121J-220Y	C RESISTOR	22Ω 1/2W J	
R1169	NRSA63J-561X	MG RESISTOR	560Ω 1/16W J		R1522	QRE121J-681Y	C RESISTOR	680Ω 1/2W J	
R1171	NRSA63J-103X	MG RESISTOR	10kΩ 1/16W J		R1523	QRL039J-152	OMF RESISTOR	1.5kΩ 3W J	
R1201	NRSA63J-223X	MG RESISTOR	22kΩ 1/16W J		R1524	QRE121J-224Y	C RESISTOR	220kΩ 1/2W J	
R1212	NRSA63J-272X	MG RESISTOR	2.7kΩ 1/16W J		R1525	QRE121J-184Y	C RESISTOR	180kΩ 1/2W J	
R1215	NRSA63J-562X	MG RESISTOR	5.6kΩ 1/16W J		R1526	QRK129J-150	UNF C RESISTOR	15Ω 1/2W J	
R1216	NRSA63J-562X	MG RESISTOR	5.6kΩ 1/16W J		R1527	QRX01GJ-1R0	MF RESISTOR	1Ω 1W J	
R1217	NRSA63J-102X	MG RESISTOR	1kΩ 1/16W J		R1528	QRE121J-103Y	C RESISTOR	10kΩ 1/2W J	
R1227	NRSA63J-104X	MG RESISTOR	100kΩ 1/16W J		R1529	QRK126J-4R7X	UNF C RESISTOR	4.7Ω 1/2W J	
R1231	NRSA63J-182X	MG RESISTOR	1.8kΩ 1/16W J		R1530	QRG029J-1R5	MF RESISTOR	1.5Ω 2W J	
R1232	NRSA63J-392X	MG RESISTOR	3.9kΩ 1/16W J		R1531	NRZ0032-7151X	CMF RESISTOR	7.15kΩ	
R1233	NRSA63J-332X	MG RESISTOR	3.3kΩ 1/16W J		R1533	NRZ0032-2941X	CMF RESISTOR	2.94kΩ	
R1234	NRSA63J-152X	MG RESISTOR	1.5kΩ 1/16W J		R1541	QRE121J-683Y	C RESISTOR	68kΩ 1/2W J	
R1235	NRSA63J-102X	MG RESISTOR	1kΩ 1/16W J		R1614	QRL039J-100	OMF RESISTOR	10Ω 3W J	
R1251	NRSA63J-332X	MG RESISTOR	3.3kΩ 1/16W J		R1615	NRSA63J-123X	MG RESISTOR	12kΩ 1/16W J	
R1252	NRSA63J-103X	MG RESISTOR	10kΩ 1/16W J		R1616	NRSA63J-123X	MG RESISTOR	12kΩ 1/16W J	
R1253	NRSA63J-102X	MG RESISTOR	1kΩ 1/16W J		R1617	NRSA63J-332X	MG RESISTOR	3.3kΩ 1/16W J	
R1254	NRSA63J-181X	MG RESISTOR	180Ω 1/16W J		R1618	NRSA63J-332X	MG RESISTOR	3.3kΩ 1/16W J	
R1255	NRSA63J-152X	MG RESISTOR	1.5kΩ 1/16W J		R1619	NRSA63J-471X	MG RESISTOR	470Ω 1/16W J	
R1256	NRSA63J-152X	MG RESISTOR	1.5kΩ 1/16W J		R1620	NRSA63J-471X	MG RESISTOR	470Ω 1/16W J	
R1257	NRSA63J-222X	MG RESISTOR	2.2kΩ 1/16W J		R1621	QRE121J-4R7Y	C RESISTOR	4.7Ω 1/2W J	
R1261	NRSA63J-101X	MG RESISTOR	100Ω 1/16W J		R1622	QRE121J-4R7Y	C RESISTOR	4.7Ω 1/2W J	
R1262	NRSA63J-101X	MG RESISTOR	100Ω 1/16W J		R1625	NRSA63J-103X	MG RESISTOR	10kΩ 1/16W J	
R1263	NRSA63J-101X	MG RESISTOR	100Ω 1/16W J		R1627	NRSA63J-101X	MG RESISTOR	100Ω 1/16W J	
R1264	NRSA63J-821X	MG RESISTOR	820Ω 1/16W J		R1631	QRX029J-3R3	MF RESISTOR	3.3Ω 2W J	
R1282	NRSA63J-222X	MG RESISTOR	2.2kΩ 1/16W J		R1651	NRSA63J-101X	MG RESISTOR	100Ω 1/16W J	
R1283	NRSA63J-821X	MG RESISTOR	820Ω 1/16W J		R1652	NRSA63J-101X	MG RESISTOR	100Ω 1/16W J	
R1285	NRSA63J-331X	MG RESISTOR	330Ω 1/16W J		R1653	NRSA63J-105X	MG RESISTOR	1MΩ 1/16W J	
R1286	NRSA63J-102X	MG RESISTOR	1kΩ 1/16W J		R1654	NRSA63J-104X	MG RESISTOR	100kΩ 1/16W J	
R1287	NRSA63J-102X	MG RESISTOR	1kΩ 1/16W J		R1655	NRSA63J-682X	MG RESISTOR	6.8kΩ 1/16W J	
R1288	NRSA63J-0R0X	MG RESISTOR	0Ω 1/16W J		R1656	NRSA63J-123X	MG RESISTOR	12kΩ 1/16W J	
R1292	NRSA63J-222X	MG RESISTOR	2.2kΩ 1/16W J		R1657	NRSA63F-623X	MG RESISTOR	62kΩ 1/16W F	
R1293	NRSA63J-471X	MG RESISTOR	470Ω 1/16W J		R1658	NRSA63J-332X	MG RESISTOR	3.3kΩ 1/16W J	
R1295	NRSA63J-331X	MG RESISTOR	330Ω 1/16W J		R1659	NRSA63J-302X	MG RESISTOR	3kΩ 1/16W J	
R1296	NRSA63J-102X	MG RESISTOR	1kΩ 1/16W J		R1661	NRSA63J-392X	MG RESISTOR	3.9kΩ 1/16W J	
R1297	NRSA63J-102X	MG RESISTOR	1kΩ 1/16W J		R1662	NRSA63J-681X	MG RESISTOR	680Ω 1/16W J	
R1298	NRSA63J-0R0X	MG RESISTOR	0Ω 1/16W J		R1663	NRSA63J-681X	MG RESISTOR	680Ω 1/16W J	
R1301	NRSA63J-151X	MG RESISTOR	150Ω 1/16W J		R1664	NRSA63J-101X	MG RESISTOR	100Ω 1/16W J	
R1302	QRL029J-123	OMF RESISTOR	12kΩ 2W J		R1665	NRSA63J-101X	MG RESISTOR	100Ω 1/16W J	
R1303	QRZ0111-152	C RESISTOR	1.5kΩ 1/2W K		R1666	NRSA63J-101X	MG RESISTOR	100Ω 1/16W J	
R1304	NRSA63J-332X	MG RESISTOR	3.3kΩ 1/16W J		R1667	NRSA63J-101X	MG RESISTOR	100Ω 1/16W J	
R1305	NRSA63J-271X	MG RESISTOR	270Ω 1/16W J		R1681	NRSA63J-681X	MG RESISTOR	680Ω 1/16W J	
R1306	NRSA63J-101X	MG RESISTOR	100Ω 1/16W J		R1682	NRSA63J-681X	MG RESISTOR	680Ω 1/16W J	
R1311	NRSA63J-151X	MG RESISTOR	150Ω 1/16W J		R1683	NRSA63J-223X	MG RESISTOR	22kΩ 1/16W J	
R1312	QRL029J-123	OMF RESISTOR	12kΩ 2W J		R1684	NRSA63J-223X	MG RESISTOR	22kΩ 1/16W J	
R1313	QRZ0111-152	C RESISTOR	1.5kΩ 1/2W K		R1685	NRSA63J-223X	MG RESISTOR	22kΩ 1/16W J	
R1314	NRSA63J-332X	MG RESISTOR	3.3kΩ 1/16W J		R1686	NRSA63J-223X	MG RESISTOR	22kΩ 1/16W J	
R1315	NRSA63J-271X	MG RESISTOR	270Ω 1/16W J		R1687	NRSA63J-221X	MG RESISTOR	220Ω 1/16W J	
R1316	NRSA63J-101X	MG RESISTOR	100Ω 1/16W J		R1688	NRSA63J-221X	MG RESISTOR	220Ω 1/16W J	
R1321	NRSA63J-151X	MG RESISTOR	150Ω 1/16W J		R1691	NRSA63J-823X	MG RESISTOR	82kΩ 1/16W J	
R1322	QRL029J-123	OMF RESISTOR	12kΩ 2W J		R1692	NRSA63J-823X	MG RESISTOR	82kΩ 1/16W J	
R1323	QRZ0111-152	C RESISTOR	1.5kΩ 1/2W K		R1701	NRSA63J-102X	MG RESISTOR	1kΩ 1/16W J	
R1324	NRSA63J-332X	MG RESISTOR	3.3kΩ 1/16W J		R1702	NRSA63J-102X	MG RESISTOR	1kΩ 1/16W J	
R1325	NRSA63J-271X	MG RESISTOR	270Ω 1/16W J		R1703	NRSA63J-103X	MG RESISTOR	10kΩ 1/16W J	
R1326	NRSA63J-101X	MG RESISTOR	100Ω 1/16W J		R1704	NRSA63J-472X	MG RESISTOR	4.7kΩ 1/16W J	
R1331	NRSA63J-223X	MG RESISTOR	22kΩ 1/16W J		R1705	NRSA63J-472X	MG RESISTOR	4.7kΩ 1/16W J	
R1332	NRSA63J-101X	MG RESISTOR	100Ω 1/16W J		R1706	NRSA63J-472X	MG RESISTOR	4.7kΩ 1/16W J	
R1333	NRSA63J-103X	MG RESISTOR	10kΩ 1/16W J		R1707	NRSA63J-103X	MG RESISTOR	10kΩ 1/16W J	
R1354	NRSA63J-331X	MG RESISTOR	330Ω 1/16W J		R1708	NRSA63J-101X	MG RESISTOR	100Ω 1/16W J	
R1356	NRSA63J-123X	MG RESISTOR	12kΩ 1/16W J		R1709	NRSA63J-101X	MG RESISTOR	100Ω 1/16W J	
R1359	NRSA63J-103X	MG RESISTOR	10kΩ 1/16W J		R1714	NRSA63J-823X	MG RESISTOR	82kΩ 1/16W J	
R1360	NRSA63J-0R0X	MG RESISTOR	0Ω 1/16W J		R1715	NRSA63J-101X	MG RESISTOR	100Ω 1/16W J	
R1364	NRSA63J-101X	MG RESISTOR	100Ω 1/16W J		R1718	NRSA63J-223X	MG RESISTOR	22kΩ 1/16W J	
R1365	NRSA63J-101X	MG RESISTOR	100Ω 1/16W J		R1720	QRJ149J-1R0	UNF C RESISTOR	1Ω 1/4W J	
R1366	NRSA63J-101X	MG RESISTOR	100Ω 1/16W J		R1721	NRSA63J-102X	MG RESISTOR	1kΩ 1/16W J	
R1401	NRSA63J-102X	MG RESISTOR	1kΩ 1/16W J		R1729	NRSA63J-223X	MG RESISTOR	22kΩ 1/16W J	
R1402	NRSA63J-472X	MG RESISTOR	4.7kΩ 1/16W J		R1731	NRSA63J-101X	MG RESISTOR	100Ω 1/16W J	
R1403	NRSA63J-103X	MG RESISTOR	10kΩ 1/16W J		R1732	NRSA63J-101X	MG RESISTOR	100Ω 1/16W J	
R1405	NRSA63J-103X	MG RESISTOR	10kΩ 1/16W J		R1733	NRSA63J-472X	MG RESISTOR	4.7kΩ 1/16W J	
R1407	QRE121J-681Y	C RESISTOR	680Ω 1/2W J		R1734	NRSA63J-472X	MG RESISTOR	4.7kΩ 1/16W J	
R1408	QRE121J-681Y	C RESISTOR	680Ω 1/2W J		R1739	NRSA63J-272X	MG RESISTOR	2.7kΩ 1/16W J	
R1409	QRX01GJ-1R0	MF RESISTOR	1Ω 1W J		R1740	NRSA63J-101X	MG RESISTOR	100Ω 1/16W J	
R1411	NRSA63J-123X	MG RESISTOR	12kΩ 1/16W J		R1751	NRSA63J-102X	MG RESISTOR	1kΩ 1/16W J	
R1412	NRSA63J-153X	MG RESISTOR	15kΩ 1/16W J		R1752	NRSA63J-102X	MG RESISTOR	1kΩ 1/16W J	
R1414	NRSA63J-103X	MG RESISTOR	10kΩ 1/16W J		R1753	NRSA63J-152X	MG RESISTOR	1.5kΩ 1/16W J	
R1416	QRE121J-102Y	C RESISTOR	1kΩ 1/2W J		R1754	NRSA63J-272X	MG RESISTOR	2.7kΩ 1/16W J	

△Ref No.	Part No.	Part Name	Description	Local	△Ref No.	Part No.	Part Name	Description	Local
R1755	NRSA63J-562X	MG RESISTOR	5.6kΩ 1/16W J		CF1131	QAX0639-001Z	C TRAP	4.500MHz	
R1756	NRSA63J-122X	MG RESISTOR	1.2kΩ 1/16W J		CF1161	QAX0642-001Z	C FILTER	4.500MHz	
R1757	NRSA63J-101X	MG RESISTOR	100Ω 1/16W J		CN100C	QGA2501F1-06	CONNECTOR	W-B (1-6)	
R1758	NRSA63J-101X	MG RESISTOR	100Ω 1/16W J		CN100S	QGA2501C5-04Z	CONNECTOR	W-B (1-4)	
R1764	NRSA63J-471X	MG RESISTOR	470Ω 1/16W J		CN100T	CHGC05-480	CONNECTOR WIRE		
R1765	NRSA63J-471X	MG RESISTOR	470Ω 1/16W J		CN100U	CHGC04-400	CONNECTOR ASSY		
R1766	NRSA63J-471X	MG RESISTOR	470Ω 1/16W J		CN10B1	CH41169-R03Y	EH POST HEADER		
R1767	NRSA63J-471X	MG RESISTOR	470Ω 1/16W J		CN10E1	CHGT0015-0B	CONNECTOR ASSY		
R1768	NRSA63J-682X	MG RESISTOR	6.8kΩ 1/16W J		CN10HV	QGZ5004C1-06	CONNECTOR	(1-6)	
R1769	NRSA63J-102X	MG RESISTOR	1kΩ 1/16W J		△CN1DEG	QGA7901C1-02	CONNECTOR	W-B (1-2)	
R1770	NRSA63J-103X	MG RESISTOR	10kΩ 1/16W J		CN1HHS	CH41169-R03Y	EH POST HEADER		
R1771	NRSA63J-153X	MG RESISTOR	15kΩ 1/16W J		△F1901	QMF51N1-5R0-J5	FUSE	5A AC125V	
R1772	NRSA63J-103X	MG RESISTOR	10kΩ 1/16W J		△FC1901	CEMG002-001Z	FUSE CLIP	(x2)	
R1773	NRSA63J-103X	MG RESISTOR	10kΩ 1/16W J		△H1002	LC30381-001A	HEAT SINK/FE-P/		
R1774	NRSA63J-103X	MG RESISTOR	10kΩ 1/16W J		△H1602	CEHE014-001WU	HEAT SINK		
R1775	NRSA63J-103X	MG RESISTOR	10kΩ 1/16W J		△HS1004	LC31696-001A	HEAT SINK/AL-F/		
R1776	NRSA63J-101X	MG RESISTOR	100Ω 1/16W J		△HS1009	LC31678-001A	HEAT SINK/AL-F/		
R1777	NRSA63J-101X	MG RESISTOR	100Ω 1/16W J		J1001	QNZ0454-001	AV JACK	S / V / L / R IN	
R1778	NRSA63J-103X	MG RESISTOR	10kΩ 1/16W J		J1002	QNN0348-001	PIN JACK	L / R OUT	
R1801	NRSA63J-680X	MG RESISTOR	68Ω 1/16W J		J1003	QNN0349-001	PIN JACK	V / L / R IN	
R1802	NRSA63J-750X	MG RESISTOR	75Ω 1/16W J		J1005	CEMN065-001	PIN JACK	L / R IN	
R1803	NRSA63J-750X	MG RESISTOR	75Ω 1/16W J		J1006	CEMN065-002	PIN JACK	V IN	
R1804	NRSA63J-750X	MG RESISTOR	75Ω 1/16W J		J1007	CEMN072-003	PIN JACK	L IN	
R1805	NRSA63J-101X	MG RESISTOR	100Ω 1/16W J		K1001	QQR0582-001Z	FERRITE BEADS	R IN	
R1821	NRSA63J-124X	MG RESISTOR	120kΩ 1/16W J		K1101	QQR0582-001Z	FERRITE BEADS		
R1831	NRSA63J-750X	MG RESISTOR	75Ω 1/16W J		K1251	QQR0582-001Z	FERRITE BEADS		
R1851	NRSA63J-101X	MG RESISTOR	100Ω 1/16W J		K1253	QQR0582-001Z	FERRITE BEADS		
R1852	NRSA63J-101X	MG RESISTOR	100Ω 1/16W J		K1254	QQR0582-001Z	FERRITE BEADS		
R1853	NRSA63J-101X	MG RESISTOR	100Ω 1/16W J		K1401	QQR0582-001Z	FERRITE BEADS		
R1854	NRSA63J-101X	MG RESISTOR	100Ω 1/16W J		K1701	QQR0582-001Z	FERRITE BEADS		
R1855	NRSA63J-153X	MG RESISTOR	15kΩ 1/16W J		K1702	QQR0582-001Z	FERRITE BEADS		
R1856	NRSA63J-101X	MG RESISTOR	100Ω 1/16W J		K1901	QQR0582-001Z	FERRITE BEADS		
R1857	NRSA63J-103X	MG RESISTOR	10kΩ 1/16W J		K1902	QQR0582-001Z	FERRITE BEADS		
R1858	NRSA63J-101X	MG RESISTOR	100Ω 1/16W J		K1903	QQR0582-001Z	FERRITE BEADS		
R1859	NRSA63J-101X	MG RESISTOR	100Ω 1/16W J		K1904	QQR0582-001Z	FERRITE BEADS		
R1860	NRSA63J-101X	MG RESISTOR	100Ω 1/16W J		K1921	QQR0582-001Z	FERRITE BEADS		
R1861	NRSA63J-101X	MG RESISTOR	100Ω 1/16W J		K1922	QQR0582-001Z	FERRITE BEADS		
R1862	NRSA63J-104X	MG RESISTOR	100kΩ 1/16W J		K1923	QQR0582-001Z	FERRITE BEADS		
R1863	NRSA63J-473X	MG RESISTOR	47kΩ 1/16W J		△LF1901	QQR0527-003	LINE FILTER		
△R1901	QRF074K-R47	UNF WWW RESISTOR	0.47Ω 7W K		△RY1901	QSK0085-001	RELAY		
R1902	QRE121J-473Y	C RESISTOR	47kΩ 1/2W J		S1401	QSL4A13-C02	LEVER SWITCH	V. CENTER	
R1903	QRE121J-473Y	C RESISTOR	47kΩ 1/2W J		S1751	QSW0619-003Z	TACT SWITCH	POWER	
R1904	QRT029J-R22	MF RESISTOR	0.22Ω 2W J		S1752	QSW0619-003Z	TACT SWITCH	VOL +	
R1905	QRT029J-R22	MF RESISTOR	0.22Ω 2W J		S1753	QSW0619-003Z	TACT SWITCH	VOL -	
R1906	QRE121J-2R2Y	C RESISTOR	2.2Ω 1/2W J		S1754	QSW0619-003Z	TACT SWITCH	CH +	
R1907	QRE121J-472Y	C RESISTOR	4.7kΩ 1/2W J		S1755	QSW0619-003Z	TACT SWITCH	CH-	
R1908	QRK126J-681X	UNF C RESISTOR	680Ω 1/2W J		S1756	QSW0619-003Z	TACT SWITCH	MENU	
R1910	QRE121J-684Y	C RESISTOR	680kΩ 1/2W J		SF1101	QAX0723-001	SAW FILTER		
R1911	QRG01GJ-470	OMF RESISTOR	47Ω 1W J		△SK1351	QNZ0536-001	CRT SOCKET		
R1922	NRSA63J-102X	MG RESISTOR	1kΩ 1/16W J		△TH1901	QAD0129-3R0	P THERMISTOR	3Ω	
R1923	NRSA63J-473X	MG RESISTOR	47kΩ 1/16W J		△TU1001	QAU0275-002	TUNER		
R1924	QRX01GJ-1R0	MF RESISTOR	1Ω 1W J		△VA1901	ERZV10V621CS	ZNR		
R1925	QRX01GJ-1R0	MF RESISTOR	1Ω 1W J		W1001	NRSA63J-0R0X	MG RESISTOR	0Ω 1/16W J	
R1926	QRT029J-1R2	MF RESISTOR	1.2Ω 2W J		W1002	NRSA63J-0R0X	MG RESISTOR	0Ω 1/16W J	
R1927	QRT029J-1R2	MF RESISTOR	1.2Ω 2W J		W1412	NRSA63J-0R0X	MG RESISTOR	0Ω 1/16W J	
R1928	QRE121J-272Y	C RESISTOR	2.7kΩ 1/2W J		W1728	NRSA63J-0R0X	MG RESISTOR	0Ω 1/16W J	
R1929	QRE121J-223Y	C RESISTOR	22kΩ 1/2W J		W1729	NRSA63J-0R0X	MG RESISTOR	0Ω 1/16W J	
R1930	QRE121J-473Y	C RESISTOR	47kΩ 1/2W J		W1801	NRSA63J-0R0X	MG RESISTOR	0Ω 1/16W J	
R1932	NRSA63J-123X	MG RESISTOR	12kΩ 1/16W J		W1802	NRSA63J-0R0X	MG RESISTOR	0Ω 1/16W J	
R1933	NRSA63J-123X	MG RESISTOR	12kΩ 1/16W J		W1815	NRSA63J-0R0X	MG RESISTOR	0Ω 1/16W J	
R1934	NRSA63J-273X	MG RESISTOR	27kΩ 1/16W J		W1836	NRSA63J-0R0X	MG RESISTOR	0Ω 1/16W J	
R1935	NRSA63J-333X	MG RESISTOR	33kΩ 1/16W J		X1701	QAX0717-001Z	CRYSTAL	8.000MHz	
R1936	QRE121J-103Y	C RESISTOR	10kΩ 1/2W J		Y1251	NRSA63J-0R0X	MG RESISTOR	0Ω 1/16W J	
R1938	QRE121J-103Y	C RESISTOR	10kΩ 1/2W J		Y1501	NRSA63J-0R0X	MG RESISTOR	0Ω 1/16W J	
R1939	QRE121J-103Y	C RESISTOR	10kΩ 1/2W J		Y1601	NRSA63J-0R0X	MG RESISTOR	0Ω 1/16W J	
R1941	QRG029J-180	OMF RESISTOR	18Ω 2W J		Y1602	NRSA63J-0R0X	MG RESISTOR	0Ω 1/16W J	
R1942	QRE121J-5R6Y	C RESISTOR	5.6Ω 1/2W J		Y1605	NRSA63J-0R0X	MG RESISTOR	0Ω 1/16W J	
R1943	QRE121J-820Y	C RESISTOR	82Ω 1/2W J		Y1854	NRSA63J-0R0X	MG RESISTOR	0Ω 1/16W J	
△R1991	QRZ9041-275	C RESISTOR	2.7MΩ 1/2W K						
L1101	QQLZ014-R39	COIL	0.39uH 100mA L						
L1131	QQL244K-220Z	COIL	22uH K						
L1161	QQL244K-220Z	COIL	22uH K						
L1232	QQL244K-560Z	COIL	56uH K						
L1251	QQL244K-4R7Z	COIL	4.7uH K						
L1281	QQL244K-150Z	COIL	15uH K						
L1291	QQL244K-150Z	COIL	15uH K						
L1341	QQL03BJ-390Z	P COIL	39uH J						
L1521	QQR1027-004	LINEARITY COIL							
L1921	QQL26AK-470Z	COIL	47uH K						
L1922	QQL26AK-470Z	COIL	47uH K						
T1111	QQR0907-001	IFT							
T1501	CE42034-002	HOR DRIVE TRANS							
△T1901	QQT0355-001	POWER TRANSF							
△T1921	QQS0158-001	SW TRANSF							
CF1001	QAX0349-001	C TRAP							

[AV-27430/sA]
MAIN PW BOARD ASS'Y (SFE-1027A-M2)

△Ref No.	Part No.	Part Name	Description Local
IC1101	M52342SP	IC	
IC1201	TM8812CPDNG4N35	IC(MCU)	
IC1251	TC90A49P	IC	
△IC1421	AN5522	IC	
△IC1602	LA4446	IC	
IC1603	CXA2134Q-X	IC	
IC1702	AT24WC-27430R	IC	(SERVICE)
IC1703	S-80840CNY-T	IC	
IC1704	AN78L05-T	IC	
IC1751	GP1UM281QK	IR DETECT UNIT	
IC1851	TA1218AN	IC	
IC1901	STR-G5624A/F8	IC	
IC1921	AN7809F	IC	
IC1922	UPC7805AHF	IC	
Q1001	UN2212-X	DIGI TRANSISTOR	
Q1101	2SC5083/L-P/-T	TRANSISTOR	
Q1131	2SB709A/QR/-X	TRANSISTOR	
Q1161	2SD601A/QR/-X	TRANSISTOR	
Q1211	2SD601A/QR/-X	TRANSISTOR	
Q1232	2SD601A/QR/-X	TRANSISTOR	
Q1233	2SD601A/QR/-X	TRANSISTOR	
Q1251	2SD601A/QR/-X	TRANSISTOR	
Q1252	2SD601A/QR/-X	TRANSISTOR	
Q1281	2SB709A/QR/-X	TRANSISTOR	
Q1282	2SD601A/QR/-X	TRANSISTOR	
Q1283	2SB709A/QR/-X	TRANSISTOR	
Q1291	2SB709A/QR/-X	TRANSISTOR	
Q1292	2SD601A/QR/-X	TRANSISTOR	
Q1293	2SB709A/QR/-X	TRANSISTOR	
Q1301	2SC4544-LB	POW TRANSISTOR	
Q1311	2SC4544-LB	POW TRANSISTOR	
Q1321	2SC4544-LB	POW TRANSISTOR	
Q1331	2SD601A/QR/-X	TRANSISTOR	
Q1332	2SD601A/QR/-X	TRANSISTOR	
Q1352	2SD601A/QR/-X	TRANSISTOR	
Q1501	2SC4212Z1/	TRANSISTOR	
△Q1521	2SD2634-YD	TRANSISTOR	H OUT
Q1602	2SD601A/QR/-X	TRANSISTOR	
Q1681	2SD601A/QR/-X	TRANSISTOR	
Q1682	2SD601A/QR/-X	TRANSISTOR	
Q1683	2SD601A/QR/-X	TRANSISTOR	
Q1684	2SD601A/QR/-X	TRANSISTOR	
Q1701	2SB709A/QR/-X	TRANSISTOR	
Q1751	UN2112-X	DIGI TRANSISTOR	
Q1851	2SB709A/QR/-X	TRANSISTOR	
Q1921	2SD1383K/AB/-X	TRANSISTOR	
Q1922	2SC2785/JH/-T	SI TRANSISTOR	
Q1923	2SA1037AK/QR/-X	TRANSISTOR	
Q1924	2SA1208/ST/Z1-T	TRANSISTOR	
D1331	1SS133-T2	SI DIODE	
D1352	MTZJ9.1C-T2	Z.DIODE I M	
D1353	1SS133-T2	SI DIODE	
D1365	1SS133-T2	SI DIODE	
D1366	1SS133-T2	SI DIODE	
D1367	1SS133-T2	SI DIODE	
D1368	MTZJ5.1B-T2	Z DIODE	
D1369	MTZJ5.1B-T2	Z DIODE	
D1370	MTZJ5.1B-T2	Z DIODE	
D1401	1SR35-400A-T2	SI DIODE	
D1402	MTZJ75-T2	Z DIODE	
D1501	MTZJ3.3A-T2	Z DIODE	
D1521	1SR35-400A-T2	SI DIODE	
D1522	RH1S-T3	SI DIODE	
D1523	1SR35-400A-T2	SI DIODE	
D1524	RGPI0J-5025-T3	SI DIODE	
D1525	MTZJ5.6A-T2	Z DIODE	
D1526	MA4068NZ1/-T2	Z DIODE	
D1661	MTZJ9.1C-T2	Z.DIODE I M	
D1681	MTZJ9.1C-T2	Z.DIODE I M	
D1682	MTZJ9.1C-T2	Z.DIODE I M	
D1683	MTZJ9.1C-T2	Z.DIODE I M	
D1684	MTZJ9.1C-T2	Z.DIODE I M	
D1685	MTZJ9.1C-T2	Z.DIODE I M	
D1686	MTZJ9.1C-T2	Z.DIODE I M	
D1687	MTZJ9.1C-T2	Z.DIODE I M	
D1688	MTZJ9.1C-T2	Z.DIODE I M	
D1705	1SS133-T2	SI DIODE	
D1751	LG22440	LED	POWER / ON TIMER
D1801	MTZJ9.1C-T2	Z.DIODE I M	
D1802	MTZJ9.1C-T2	Z.DIODE I M	
D1803	MTZJ9.1C-T2	Z.DIODE I M	

△Ref No.	Part No.	Part Name	Description Local
D1804	MTZJ9.1C-T2	Z.DIODE I M	
D1807	MTZJ9.1C-T2	Z.DIODE I M	
D1831	MTZJ9.1C-T2	Z.DIODE I M	
D1834	MTZJ9.1C-T2	Z.DIODE I M	
△D1901	GSIB460-S1	BRIDGE DIODE	
D1902	RGPI0J-5025-T3	SI DIODE	
D1903	RGPI0J-5025-T3	SI DIODE	
D1904	RGPI0J-5025-T3	SI DIODE	
D1905	SARS01-T2	SI DIODE	
D1907	MA700A-T2	SB DIODE	
D1908	MTZJ15C-T2	Z DIODE	
D1921	1SR35-400A-T2	SI DIODE	
D1922	1SR35-400A-T2	SI DIODE	
D1923	1SR35-400A-T2	SI DIODE	
D1924	1SR35-400A-T2	SI DIODE	
D1925	1SS133-T2	SI DIODE	
D1926	RU3AM-LFC4	SI DIODE	
D1927	RU3YX-LFC4	SI DIODE	
D1928	RU3YX-LFC4	SI DIODE	
D1929	MTZJ7.5A-T2	Z DIODE	
D1930	1SS133-T2	SI DIODE	
D1931	1SS133-T2	SI DIODE	
D1932	MTZJ33B-T2	Z DIODE	
D1933	1N4002G-T2	SI DIODE	
C1001	QETN1HM-475Z	E CAPACITOR	4.7uF 50V M
C1002	NCB31HK-103X	C CAPACITOR	0.01uF 50V K
C1003	QETN1VM-476Z	E CAPACITOR	47uF 35V M
C1004	QETN1AM-477Z	E CAPACITOR	470uF 10V M
C1005	NCB31HK-103X	C CAPACITOR	0.01uF 50V K
C1101	NCB31HK-103X	C CAPACITOR	0.01uF 50V K
C1102	NCB31HK-103X	C CAPACITOR	0.01uF 50V K
C1104	NCB31HK-103X	C CAPACITOR	0.01uF 50V K
C1105	NCB31HK-103X	C CAPACITOR	0.01uF 50V K
C1106	QETN1EM-476Z	E CAPACITOR	47uF 25V M
C1107	NCB31HK-103X	C CAPACITOR	0.01uF 50V K
C1113	NCB31HK-103X	C CAPACITOR	0.01uF 50V K
C1114	NCB31HK-103X	C CAPACITOR	0.01uF 50V K
C1116	NCB31CK-224X	C CAPACITOR	0.22uF 16V K
C1117	QETN1EM-476Z	E CAPACITOR	47uF 25V M
C1118	NCB31HK-103X	C CAPACITOR	0.01uF 50V K
C1119	NDC31HJ-681X	C CAPACITOR	680pF 50V J
C1120	QETN1HM-474Z	E CAPACITOR	0.47uF 50V M
C1124	NCB31HK-103X	C CAPACITOR	0.01uF 50V K
C1131	NCB31HK-103X	C CAPACITOR	0.01uF 50V K
C1161	QETN1HM-106Z	E CAPACITOR	10uF 50V M
C1162	QETN1HM-106Z	E CAPACITOR	10uF 50V M
C1163	NDC31HJ-470X	C CAPACITOR	47pF 50V J
C1164	NDC31HJ-470X	C CAPACITOR	47pF 50V J
C1165	NCB31HK-103X	C CAPACITOR	0.01uF 50V K
C1166	NCB31HK-103X	C CAPACITOR	0.01uF 50V K
C1202	QETN1HM-105Z	E CAPACITOR	1uF 50V M
C1203	NCB31HK-152X	C CAPACITOR	1500pF 50V K
C1211	QETN1HM-476Z	E CAPACITOR	47uF 50V M
C1221	QETN1HM-106Z	E CAPACITOR	10uF 50V M
C1222	NCB31HK-104X	C CAPACITOR	0.1uF 50V K
C1223	NCB31HK-103X	C CAPACITOR	0.01uF 50V K
C1233	NDC31HJ-680X	C CAPACITOR	68pF 50V J
C1237	NCB31HK-103X	C CAPACITOR	0.01uF 50V K
C1241	NCB31HK-103X	C CAPACITOR	0.01uF 50V K
C1243	QETN1EM-476Z	E CAPACITOR	47uF 25V M
C1244	NCB31HK-103X	C CAPACITOR	0.01uF 50V K
C1247	QETN1HM-225Z	E CAPACITOR	2.2uF 50V M
C1252	NDC31HJ-101X	C CAPACITOR	100pF 50V J
C1253	NDC31HJ-470X	C CAPACITOR	47pF 50V J
C1254	NDC31HJ-181X	C CAPACITOR	180pF 50V J
C1261	NCB31HK-103X	C CAPACITOR	0.01uF 50V K
C1262	QETN1EM-476Z	E CAPACITOR	47uF 25V M
C1263	NCB31HK-103X	C CAPACITOR	0.01uF 50V K
C1264	NCB31HK-103X	C CAPACITOR	0.01uF 50V K
C1265	QETN1HM-474Z	E CAPACITOR	0.47uF 50V M
C1266	NCB31HK-103X	C CAPACITOR	0.01uF 50V K
C1267	NCB31HK-103X	C CAPACITOR	0.01uF 50V K
C1268	QETN1EM-476Z	E CAPACITOR	47uF 25V M
C1269	NCB31HK-103X	C CAPACITOR	0.01uF 50V K
C1270	QETN1EM-476Z	E CAPACITOR	47uF 25V M
C1272	NCB31HK-103X	C CAPACITOR	0.01uF 50V K
C1273	NCB31HK-103X	C CAPACITOR	0.01uF 50V K
C1274	NDC31HJ-181X	C CAPACITOR	180pF 50V J
C1275	QETN1EM-476Z	E CAPACITOR	47uF 25V M
C1276	NCB31HK-103X	C CAPACITOR	0.01uF 50V K
C1277	NCB31HK-103X	C CAPACITOR	0.01uF 50V K
C1278	NCB31HK-103X	C CAPACITOR	0.01uF 50V K
C1283	NDC31HJ-330X	C CAPACITOR	33pF 50V J
C1293	NDC31HJ-470X	C CAPACITOR	47pF 50V J
C1302	NDC31HJ-331X	C CAPACITOR	330pF 50V J
C1312	NDC31HJ-271X	C CAPACITOR	270pF 50V J

ΔRef No.	Part No.	Part Name	Description Local	ΔRef No.	Part No.	Part Name	Description Local
C1322	NDC31HJ-271X	C CAPACITOR	270pF 50V J	C1701	NCB31HK-102X	C CAPACITOR	1000pF 50V K
C1331	QETN1HM-105Z	E CAPACITOR	1uF 50V M	C1702	QETN1HM-106Z	E CAPACITOR	10uF 50V M
C1341	QETN1CM-107Z	E CAPACITOR	100uF 16V M	C1703	QETN1HM-106Z	E CAPACITOR	10uF 50V M
ΔC1343	QCZ0121-102	C CAPACITOR	1000pF 3KV	C1704	QETN1EM-476Z	E CAPACITOR	47uF 25V M
C1352	QETN1EM-476Z	E CAPACITOR	47uF 25V M	C1705	NCB31HK-103X	C CAPACITOR	0.01uF 50V K
C1354	NCB31HK-103X	C CAPACITOR	0.01uF 50V K	C1708	NDC31HJ-220X	C CAPACITOR	22pF 50V J
C1361	QETN1EM-476Z	E CAPACITOR	47uF 25V M	C1709	NDC31HJ-220X	C CAPACITOR	22pF 50V J
C1362	NCB31HK-103X	C CAPACITOR	0.01uF 50V K	C1711	QETN1EM-476Z	E CAPACITOR	47uF 25V M
C1401	QFVF1HJ-474Z	MF CAPACITOR	0.47uF 50V J	C1712	NCB31HK-103X	C CAPACITOR	0.01uF 50V K
C1402	NCB31HK-102X	C CAPACITOR	1000pF 50V K	C1716	QETN1HM-106Z	E CAPACITOR	10uF 50V M
C1403	QENC1CM-106Z	BP E CAPACITOR	10uF 16V M	C1751	QETN1EM-476Z	E CAPACITOR	47uF 25V M
C1404	NCB31HK-222X	C CAPACITOR	2200pF 50V K	C1801	QETN1HM-106Z	E CAPACITOR	10uF 50V M
C1405	QETN1HM-106Z	E CAPACITOR	10uF 50V M	C1802	QETN1HM-106Z	E CAPACITOR	10uF 50V M
C1406	NCB31HK-102X	C CAPACITOR	1000pF 50V K	C1803	QETN1HM-105Z	E CAPACITOR	1uF 50V M
C1407	QETN1VM-107Z	E CAPACITOR	100uF 35V M	C1804	QETN1HM-106Z	E CAPACITOR	10uF 50V M
C1408	QCS32HJ-100Z	C CAPACITOR	10pF 500V J	C1807	NCB31HK-103X	C CAPACITOR	0.01uF 50V K
C1409	QFLC2AK-104Z	M CAPACITOR	0.1uF 100V K	C1815	NCB31HK-103X	C CAPACITOR	0.01uF 50V K
C1410	QFLC2AK-104Z	M CAPACITOR	0.1uF 100V K	C1831	NCB31HK-104X	C CAPACITOR	0.1uF 50V K
C1411	QETN1VM-228	E CAPACITOR	2200uF 35V M	C1834	QETN1HM-106Z	E CAPACITOR	10uF 50V M
C1412	QETN1HM-225Z	E CAPACITOR	2.2uF 50V M	C1835	NCB31HK-103X	C CAPACITOR	0.01uF 50V K
C1501	QETN1EM-476Z	E CAPACITOR	47uF 25V M	C1836	NCB31HK-103X	C CAPACITOR	0.01uF 50V K
C1502	NCB31HK-103X	C CAPACITOR	0.01uF 50V K	C1837	NCB31HK-103X	C CAPACITOR	0.01uF 50V K
C1503	NCB31HK-103X	C CAPACITOR	0.01uF 50V K	C1851	NCB31HK-103X	C CAPACITOR	0.01uF 50V K
C1504	QETN1HM-225Z	E CAPACITOR	2.2uF 50V M	C1852	NCB31HK-103X	C CAPACITOR	0.01uF 50V K
C1505	NCB31AK-474X	C CAPACITOR	0.47uF 10V K	C1853	QETN1HM-106Z	E CAPACITOR	10uF 50V M
C1506	QETN1EM-476Z	E CAPACITOR	47uF 25V M	C1854	NCB31HK-103X	C CAPACITOR	0.01uF 50V K
C1507	NCB31HK-103X	C CAPACITOR	0.01uF 50V K	C1855	NCB31HK-103X	C CAPACITOR	0.01uF 50V K
C1508	QCB32HK-151Z	C CAPACITOR	150pF 500V K	C1856	NCB31HK-103X	C CAPACITOR	0.01uF 50V K
C1509	QCB32HK-331Z	C CAPACITOR	330pF 500V K	C1857	QETN1HM-106Z	E CAPACITOR	10uF 50V M
C1510	QETN2EM-225Z	E CAPACITOR	2.2uF 250V M	C1858	NCB31HK-103X	C CAPACITOR	0.01uF 50V K
C1522	QFZ0198-133	MPP CAPACITOR	0.013uF 1.5KV	C1859	NCB31HK-103X	C CAPACITOR	0.01uF 50V K
C1523	QFZ0199-564	MPP CAPACITOR	0.56uF 250V	C1860	NCB31HK-103X	C CAPACITOR	0.01uF 50V K
C1524	QCB32HK-561Z	C CAPACITOR	560pF 500V K	C1861	QETN1EM-476Z	E CAPACITOR	47uF 25V M
C1525	QEZO203-107	E CAPACITOR	100uF 160V M	C1862	QETN1HM-106Z	E CAPACITOR	10uF 50V M
C1526	QFLC1HJ-823Z	M CAPACITOR	0.082uF 50V J	ΔC1901	QFZ9072-104	MM CAPACITOR	0.1uF AC250V K
C1527	QETN2EM-106Z	E CAPACITOR	10uF 250V M	ΔC1902	QFZ9072-104	MM CAPACITOR	0.1uF AC250V K
C1528	QETN1VM-108Z	E CAPACITOR	1000uF 35V M	C1903	QEZO561-477	E CAPACITOR	470uF 200V
C1529	QETN1VM-476Z	E CAPACITOR	47uF 35V M	ΔC1904	QCZ9054-102	C CAPACITOR	1000pF AC250V Z
C1530	QFLC2AK-104Z	M CAPACITOR	0.1uF 100V K	ΔC1905	QCZ9054-102	C CAPACITOR	1000pF AC250V Z
C1614	QETN1CM-477Z	E CAPACITOR	470uF 16V M	C1907	QETN1HM-476Z	E CAPACITOR	47uF 50V M
C1616	QETN1HM-475Z	E CAPACITOR	4.7uF 50V M	C1908	QCZ0340-332	C CAPACITOR	3300pF 2kV K
C1617	QETN1CM-227Z	E CAPACITOR	220uF 16V M	C1909	NCB31HK-182X	C CAPACITOR	1800pF 50V K
C1618	QETN1CM-107Z	E CAPACITOR	100uF 16V M	C1910	NDC31HJ-471X	C CAPACITOR	470pF 50V J
C1619	QETN1CM-477Z	E CAPACITOR	470uF 16V M	C1911	QFP32GJ-103Z	PP CAPACITOR	0.01uF 400V J
C1620	NCF31CZ-104X	C CAPACITOR	0.1uF 16V Z	C1921	QETN1EM-477Z	E CAPACITOR	470uF 25V M
C1622	QETN1HM-475Z	E CAPACITOR	4.7uF 50V M	C1923	QEZO203-107	E CAPACITOR	100uF 160V M
C1623	QETN1CM-227Z	E CAPACITOR	220uF 16V M	C1924	QETN2CM-476Z	E CAPACITOR	47uF 160V M
C1624	QETN1CM-107Z	E CAPACITOR	100uF 16V M	C1925	QETN1CM-108Z	E CAPACITOR	1000uF 16V M
C1625	QETN1CM-477Z	E CAPACITOR	470uF 16V M	C1926	QETN1CM-107Z	E CAPACITOR	100uF 16V M
C1626	NCF31CZ-104X	C CAPACITOR	0.1uF 16V Z	C1927	QETN1CM-477Z	E CAPACITOR	470uF 16V M
C1627	QETN1CM-227Z	E CAPACITOR	220uF 16V M	C1929	QCZ0340-102	C CAPACITOR	1000pF 2kV K
C1651	QENC1HM-475Z	BP E CAPACITOR	4.7uF 50V M	C1930	QCB32HK-102Z	C CAPACITOR	1000pF 500V K
C1652	NCB31HK-104X	C CAPACITOR	0.1uF 50V M	C1931	QCB32HK-102Z	C CAPACITOR	1000pF 500V K
C1653	QENC1HM-475Z	BP E CAPACITOR	4.7uF 50V M	C1932	QETN0JM-107Z	E CAPACITOR	100uF 6.3V M
C1654	NCB31HK-562X	C CAPACITOR	5600pF 50V K	C1933	QETN1VM-476Z	E CAPACITOR	47uF 35V M
C1655	NCB31HK-123X	C CAPACITOR	0.012uF 50V K	C1935	QETN1CM-476Z	E CAPACITOR	47uF 16V M
C1656	QETN1HM-105Z	E CAPACITOR	10uF 50V M	C1940	NCB31HK-103X	C CAPACITOR	0.01uF 50V K
C1657	QETN1HM-106Z	E CAPACITOR	10uF 50V M	C1941	QETN1CM-107Z	E CAPACITOR	100uF 16V M
C1658	QETN1HM-106Z	E CAPACITOR	10uF 50V M	C1942	QETN1CM-107Z	E CAPACITOR	100uF 16V M
C1659	QETN1HM-475Z	E CAPACITOR	4.7uF 50V M	C1943	NCB31HK-103X	C CAPACITOR	0.01uF 50V K
C1660	QETN1EM-476Z	E CAPACITOR	47uF 25V M	C1944	QETN1CM-107Z	E CAPACITOR	100uF 16V M
C1661	NCB31HK-103X	C CAPACITOR	0.01uF 50V K	C1945	NCB31HK-103X	C CAPACITOR	0.01uF 50V K
C1662	QENC1HM-475Z	BP E CAPACITOR	4.7uF 50V M	ΔC1991	QCZ9074-103	C CAPACITOR	0.01uF 250V
C1663	QETN1HM-475Z	E CAPACITOR	4.7uF 50V M	ΔC1992	QCZ9074-103	C CAPACITOR	0.01uF 250V
C1664	QENC1HM-475Z	BP E CAPACITOR	4.7uF 50V M	R1003	NRSA63J-221X	MG RESISTOR	220Ω 1/16W J
C1665	NCB31HK-272X	C CAPACITOR	2700pF 50V K	R1004	NRSA63J-221X	MG RESISTOR	220Ω 1/16W J
C1666	NCB31HK-473X	C CAPACITOR	0.047uF 50V K	R1005	NRSA63J-0R0X	MG RESISTOR	0Ω 1/16W J
C1667	QETN1HM-335Z	E CAPACITOR	3.3uF 50V M	R1006	NRSA63J-223X	MG RESISTOR	22kΩ 1/16W J
C1668	QENC1HM-475Z	BP E CAPACITOR	4.7uF 50V M	R1008	NRSA63J-820X	MG RESISTOR	82Ω 1/16W J
C1669	QETN1HM-106Z	E CAPACITOR	10uF 50V M	R1101	NRSA63J-562X	MG RESISTOR	5.6kΩ 1/16W J
C1670	QETN1HM-105Z	E CAPACITOR	1uF 50V M	R1102	NRSA63J-182X	MG RESISTOR	1.8kΩ 1/16W J
C1671	QETN1HM-106Z	E CAPACITOR	10uF 50V M	R1103	QRE121J-101Y	C RESISTOR	100Ω 1/2W J
C1672	QETN1HM-106Z	E CAPACITOR	10uF 50V M	R1104	NRSA63J-180X	MG RESISTOR	18Ω 1/16W J
C1673	NCB31HK-223X	C CAPACITOR	0.022uF 50V K	R1105	NRSA63J-270X	MG RESISTOR	27Ω 1/16W J
C1674	NCB31HK-472X	C CAPACITOR	4700pF 50V K	R1111	NRSA63J-394X	MG RESISTOR	390kΩ 1/16W J
C1675	QENC1HM-475Z	BP E CAPACITOR	4.7uF 50V M	R1112	NRSA63J-334X	MG RESISTOR	330kΩ 1/16W J
C1676	NCB31HK-104X	C CAPACITOR	0.1uF 50V K	R1113	NRSA63J-101X	MG RESISTOR	100Ω 1/16W J
C1677	NCB31HK-472X	C CAPACITOR	4700pF 50V K	R1115	NRSA63J-101X	MG RESISTOR	100Ω 1/16W J
C1681	QETN1HM-106Z	E CAPACITOR	10uF 50V M	R1116	NRSA63J-680X	MG RESISTOR	68Ω 1/16W J
C1682	QETN1HM-106Z	E CAPACITOR	10uF 50V M	R1117	NRSA63J-273X	MG RESISTOR	27kΩ 1/16W J
C1683	QETN1HM-106Z	E CAPACITOR	10uF 50V M	R1131	NRSA63J-102X	MG RESISTOR	1kΩ 1/16W J
C1684	QETN1HM-106Z	E CAPACITOR	10uF 50V M	R1132	NRSA63J-221X	MG RESISTOR	220Ω 1/16W J
C1685	QETN1HM-106Z	E CAPACITOR	10uF 50V M	R1133	NRSA63J-821X	MG RESISTOR	820Ω 1/16W J
C1686	QETN1HM-106Z	E CAPACITOR	10uF 50V M	R1134	NRSA63J-681X	MG RESISTOR	680Ω 1/16W J
C1687	QETN1HM-106Z	E CAPACITOR	10uF 50V M	R1135	NRSA63J-102X	MG RESISTOR	1kΩ 1/16W J
C1688	QETN1HM-106Z	E CAPACITOR	10uF 50V M	R1161	NRSA63J-332X	MG RESISTOR	3.3kΩ 1/16W J
C1689	QETN1CM-336Z	E CAPACITOR	33uF 16V M				

△Ref No.	Part No.	Part Name	Description Local	△Ref No.	Part No.	Part Name	Description Local
R1163	NRSA63J-223X	MG RESISTOR	22kΩ 1/16W J	R1508	NRSA63J-101X	MG RESISTOR	100Ω 1/16W J
R1164	NRSA63J-102X	MG RESISTOR	1kΩ 1/16W J	R1509	NRSA63J-271X	MG RESISTOR	270Ω 1/16W J
R1165	NRSA63J-223X	MG RESISTOR	22kΩ 1/16W J	R1510	QRE121J-103Y	C RESISTOR	10kΩ 1/2W J
R1166	NRSA63J-103X	MG RESISTOR	10kΩ 1/16W J	R1511	QRG029J-182	OMF RESISTOR	1.8kΩ 2W J
R1167	NRSA63J-102X	MG RESISTOR	1kΩ 1/16W J	R1512	QRG029J-182	OMF RESISTOR	1.8kΩ 2W J
R1168	NRSA63J-101X	MG RESISTOR	100Ω 1/16W J	R1521	QRE121J-220Y	C RESISTOR	22Ω 1/2W J
R1169	NRSA63J-561X	MG RESISTOR	560Ω 1/16W J	R1522	QRE121J-681Y	C RESISTOR	680Ω 1/2W J
R1171	NRSA63J-103X	MG RESISTOR	10kΩ 1/16W J	R1523	QRL039J-152	OMF RESISTOR	1.5kΩ 3W J
R1201	NRSA63J-223X	MG RESISTOR	22kΩ 1/16W J	R1524	QRE121J-224Y	C RESISTOR	220kΩ 1/2W J
R1212	NRSA63J-272X	MG RESISTOR	2.7kΩ 1/16W J	R1525	QRE121J-184Y	C RESISTOR	180kΩ 1/2W J
R1215	NRSA63J-562X	MG RESISTOR	5.6kΩ 1/16W J	R1526	QRK129J-150	UNF C RESISTOR	15Ω 1/2W J
R1216	NRSA63J-562X	MG RESISTOR	5.6kΩ 1/16W J	R1527	QRX01GJ-1R0	MF RESISTOR	1Ω 1W J
R1217	NRSA63J-102X	MG RESISTOR	1kΩ 1/16W J	R1528	QRE121J-103Y	C RESISTOR	10kΩ 1/2W J
R1227	NRSA63J-104X	MG RESISTOR	100kΩ 1/16W J	R1529	QRK126J-4R7X	UNF C RESISTOR	4.7Ω 1/2W J
R1231	NRSA63J-182X	MG RESISTOR	1.8kΩ 1/16W J	R1530	QRX029J-1R5	MF RESISTOR	1.5Ω 2W J
R1232	NRSA63J-392X	MG RESISTOR	3.9kΩ 1/16W J	R1531	NRZ0032-7151X	CMF RESISTOR	7.15kΩ
R1233	NRSA63J-332X	MG RESISTOR	3.3kΩ 1/16W J	R1533	NRZ0032-2941X	CMF RESISTOR	2.94kΩ
R1234	NRSA63J-152X	MG RESISTOR	1.5kΩ 1/16W J	R1541	QRE121J-683Y	C RESISTOR	68kΩ 1/2W J
R1235	NRSA63J-102X	MG RESISTOR	1kΩ 1/16W J	R1614	QRL039J-100	OMF RESISTOR	10Ω 3W J
R1251	NRSA63J-332X	MG RESISTOR	3.3kΩ 1/16W J	R1615	NRSA63J-123X	MG RESISTOR	12kΩ 1/16W J
R1252	NRSA63J-103X	MG RESISTOR	10kΩ 1/16W J	R1616	NRSA63J-123X	MG RESISTOR	12kΩ 1/16W J
R1253	NRSA63J-102X	MG RESISTOR	1kΩ 1/16W J	R1617	NRSA63J-332X	MG RESISTOR	3.3kΩ 1/16W J
R1254	NRSA63J-181X	MG RESISTOR	180Ω 1/16W J	R1618	NRSA63J-332X	MG RESISTOR	3.3kΩ 1/16W J
R1255	NRSA63J-152X	MG RESISTOR	1.5kΩ 1/16W J	R1619	NRSA63J-471X	MG RESISTOR	470Ω 1/16W J
R1256	NRSA63J-152X	MG RESISTOR	1.5kΩ 1/16W J	R1620	NRSA63J-471X	MG RESISTOR	470Ω 1/16W J
R1257	NRSA63J-222X	MG RESISTOR	2.2kΩ 1/16W J	R1621	QRE121J-4R7Y	C RESISTOR	4.7Ω 1/2W J
R1261	NRSA63J-101X	MG RESISTOR	100Ω 1/16W J	R1622	QRE121J-4R7Y	C RESISTOR	4.7Ω 1/2W J
R1262	NRSA63J-101X	MG RESISTOR	100Ω 1/16W J	R1625	NRSA63J-103X	MG RESISTOR	10kΩ 1/16W J
R1263	NRSA63J-101X	MG RESISTOR	100Ω 1/16W J	R1627	NRSA63J-101X	MG RESISTOR	100Ω 1/16W J
R1264	NRSA63J-821X	MG RESISTOR	820Ω 1/16W J	R1631	QRX029J-3R3	MF RESISTOR	3.3Ω 2W J
R1282	NRSA63J-222X	MG RESISTOR	2.2kΩ 1/16W J	R1651	NRSA63J-101X	MG RESISTOR	100Ω 1/16W J
R1283	NRSA63J-821X	MG RESISTOR	820Ω 1/16W J	R1652	NRSA63J-101X	MG RESISTOR	100Ω 1/16W J
R1285	NRSA63J-331X	MG RESISTOR	330Ω 1/16W J	R1653	NRSA63J-105X	MG RESISTOR	1MΩ 1/16W J
R1286	NRSA63J-102X	MG RESISTOR	1kΩ 1/16W J	R1654	NRSA63J-104X	MG RESISTOR	100kΩ 1/16W J
R1287	NRSA63J-102X	MG RESISTOR	1kΩ 1/16W J	R1655	NRSA63J-682X	MG RESISTOR	6.8kΩ 1/16W J
R1288	NRSA63J-0R0X	MG RESISTOR	0Ω 1/16W J	R1656	NRSA63J-123X	MG RESISTOR	12kΩ 1/16W J
R1292	NRSA63J-222X	MG RESISTOR	2.2kΩ 1/16W J	R1657	NRSA63F-623X	MG RESISTOR	62kΩ 1/16W F
R1293	NRSA63J-471X	MG RESISTOR	470Ω 1/16W J	R1658	NRSA63J-332X	MG RESISTOR	3.3kΩ 1/16W J
R1295	NRSA63J-331X	MG RESISTOR	330Ω 1/16W J	R1659	NRSA63J-302X	MG RESISTOR	3kΩ 1/16W J
R1296	NRSA63J-102X	MG RESISTOR	1kΩ 1/16W J	R1661	NRSA63J-392X	MG RESISTOR	3.9kΩ 1/16W J
R1297	NRSA63J-102X	MG RESISTOR	1kΩ 1/16W J	R1662	NRSA63J-681X	MG RESISTOR	680Ω 1/16W J
R1298	NRSA63J-0R0X	MG RESISTOR	0Ω 1/16W J	R1663	NRSA63J-681X	MG RESISTOR	680Ω 1/16W J
R1301	NRSA63J-151X	MG RESISTOR	150Ω 1/16W J	R1664	NRSA63J-101X	MG RESISTOR	100Ω 1/16W J
R1302	QRL029J-123	OMF RESISTOR	12kΩ 2W J	R1665	NRSA63J-101X	MG RESISTOR	100Ω 1/16W J
R1303	QRZ0111-152	C RESISTOR	1.5kΩ 1/2W K	R1666	NRSA63J-101X	MG RESISTOR	100Ω 1/16W J
R1304	NRSA63J-332X	MG RESISTOR	3.3kΩ 1/16W J	R1667	NRSA63J-101X	MG RESISTOR	100Ω 1/16W J
R1305	NRSA63J-271X	MG RESISTOR	270Ω 1/16W J	R1681	NRSA63J-681X	MG RESISTOR	680Ω 1/16W J
R1306	NRSA63J-101X	MG RESISTOR	100Ω 1/16W J	R1682	NRSA63J-681X	MG RESISTOR	680Ω 1/16W J
R1311	NRSA63J-151X	MG RESISTOR	150Ω 1/16W J	R1683	NRSA63J-223X	MG RESISTOR	22kΩ 1/16W J
R1312	QRL029J-123	OMF RESISTOR	12kΩ 2W J	R1684	NRSA63J-223X	MG RESISTOR	22kΩ 1/16W J
R1313	QRZ0111-152	C RESISTOR	1.5kΩ 1/2W K	R1685	NRSA63J-223X	MG RESISTOR	22kΩ 1/16W J
R1314	NRSA63J-332X	MG RESISTOR	3.3kΩ 1/16W J	R1686	NRSA63J-223X	MG RESISTOR	22kΩ 1/16W J
R1315	NRSA63J-271X	MG RESISTOR	270Ω 1/16W J	R1687	NRSA63J-221X	MG RESISTOR	220Ω 1/16W J
R1316	NRSA63J-101X	MG RESISTOR	100Ω 1/16W J	R1688	NRSA63J-221X	MG RESISTOR	220Ω 1/16W J
R1321	NRSA63J-151X	MG RESISTOR	150Ω 1/16W J	R1691	NRSA63J-823X	MG RESISTOR	82kΩ 1/16W J
R1322	QRL029J-123	OMF RESISTOR	12kΩ 2W J	R1692	NRSA63J-823X	MG RESISTOR	82kΩ 1/16W J
R1323	QRZ0111-152	C RESISTOR	1.5kΩ 1/2W K	R1701	NRSA63J-102X	MG RESISTOR	1kΩ 1/16W J
R1324	NRSA63J-332X	MG RESISTOR	3.3kΩ 1/16W J	R1702	NRSA63J-102X	MG RESISTOR	1kΩ 1/16W J
R1325	NRSA63J-271X	MG RESISTOR	270Ω 1/16W J	R1703	NRSA63J-103X	MG RESISTOR	10kΩ 1/16W J
R1326	NRSA63J-101X	MG RESISTOR	100Ω 1/16W J	R1704	NRSA63J-472X	MG RESISTOR	4.7kΩ 1/16W J
R1331	NRSA63J-223X	MG RESISTOR	22kΩ 1/16W J	R1705	NRSA63J-472X	MG RESISTOR	4.7kΩ 1/16W J
R1332	NRSA63J-101X	MG RESISTOR	100Ω 1/16W J	R1706	NRSA63J-472X	MG RESISTOR	4.7kΩ 1/16W J
R1333	NRSA63J-103X	MG RESISTOR	10kΩ 1/16W J	R1707	NRSA63J-103X	MG RESISTOR	10kΩ 1/16W J
R1354	NRSA63J-331X	MG RESISTOR	330Ω 1/16W J	R1708	NRSA63J-101X	MG RESISTOR	100Ω 1/16W J
R1356	NRSA63J-123X	MG RESISTOR	12kΩ 1/16W J	R1709	NRSA63J-101X	MG RESISTOR	100Ω 1/16W J
R1359	NRSA63J-103X	MG RESISTOR	10kΩ 1/16W J	R1714	NRSA63J-823X	MG RESISTOR	82kΩ 1/16W J
R1360	NRSA63J-0R0X	MG RESISTOR	0Ω 1/16W J	R1715	NRSA63J-101X	MG RESISTOR	100Ω 1/16W J
R1364	NRSA63J-101X	MG RESISTOR	100Ω 1/16W J	R1718	NRSA63J-223X	MG RESISTOR	22kΩ 1/16W J
R1365	NRSA63J-101X	MG RESISTOR	100Ω 1/16W J	R1720	QRJ149J-1R0	UNF C RESISTOR	1Ω 1/4W J
R1366	NRSA63J-101X	MG RESISTOR	100Ω 1/16W J	R1721	NRSA63J-102X	MG RESISTOR	1kΩ 1/16W J
R1401	NRSA63J-102X	MG RESISTOR	1kΩ 1/16W J	R1729	NRSA63J-223X	MG RESISTOR	22kΩ 1/16W J
R1402	NRSA63J-472X	MG RESISTOR	4.7kΩ 1/16W J	R1731	NRSA63J-101X	MG RESISTOR	100Ω 1/16W J
R1403	NRSA63J-103X	MG RESISTOR	10kΩ 1/16W J	R1732	NRSA63J-101X	MG RESISTOR	100Ω 1/16W J
R1405	NRSA63J-103X	MG RESISTOR	10kΩ 1/16W J	R1733	NRSA63J-472X	MG RESISTOR	4.7kΩ 1/16W J
R1407	QRE121J-681Y	C RESISTOR	680Ω 1/2W J	R1734	NRSA63J-472X	MG RESISTOR	4.7kΩ 1/16W J
R1408	QRE121J-681Y	C RESISTOR	680Ω 1/2W J	R1739	NRSA63J-272X	MG RESISTOR	2.7kΩ 1/16W J
R1409	QRX01GJ-1R0	MF RESISTOR	1Ω 1W J	R1740	NRSA63J-101X	MG RESISTOR	100Ω 1/16W J
R1411	NRSA63J-123X	MG RESISTOR	12kΩ 1/16W J	R1751	NRSA63J-102X	MG RESISTOR	1kΩ 1/16W J
R1412	NRSA63J-153X	MG RESISTOR	15kΩ 1/16W J	R1752	NRSA63J-102X	MG RESISTOR	1kΩ 1/16W J
R1414	NRSA63J-103X	MG RESISTOR	10kΩ 1/16W J	R1753	NRSA63J-152X	MG RESISTOR	1.5kΩ 1/16W J
R1416	QRE121J-102Y	C RESISTOR	1kΩ 1/2W J	R1754	NRSA63J-272X	MG RESISTOR	2.7kΩ 1/16W J
R1501	NRSA63J-472X	MG RESISTOR	4.7kΩ 1/16W J	R1755	NRSA63J-562X	MG RESISTOR	5.6kΩ 1/16W J
R1502	NRSA63J-681X	MG RESISTOR	680Ω 1/16W J	R1756	NRSA63J-122X	MG RESISTOR	1.2kΩ 1/16W J
R1504	NRSA63J-392X	MG RESISTOR	3.9kΩ 1/16W J	R1757	NRSA63J-101X	MG RESISTOR	100Ω 1/16W J
R1505	NRSA63J-154X	MG RESISTOR	150kΩ 1/16W J	R1758	NRSA63J-101X	MG RESISTOR	100Ω 1/16W J
R1506	NRSA63J-471X	MG RESISTOR	470Ω 1/16W J	R1764	NRSA63J-471X	MG RESISTOR	470Ω 1/16W J
R1507	NRSA63J-561X	MG RESISTOR	560Ω 1/16W J	R1765	NRSA63J-471X	MG RESISTOR	470Ω 1/16W J

ΔRef No.	Part No.	Part Name	Description Local	ΔRef No.	Part No.	Part Name	Description Local
R1766	NRSA63J-471X	MG RESISTOR	470Ω 1/16W J	CN10B1	CH41169-R03Y	EH POST HEADER	
R1767	NRSA63J-471X	MG RESISTOR	470Ω 1/16W J	CN10E1	CHGT0015-0B	CONNECTOR ASSY	
R1768	NRSA63J-682X	MG RESISTOR	6.8kΩ 1/16W J	CN10HV	QGZ5004C1-06	CONNECTOR	(1-6)
R1769	NRSA63J-102X	MG RESISTOR	1kΩ 1/16W J	ΔCN1DEG	QGA7901C1-02	CONNECTOR	W-B (1-2)
R1770	NRSA63J-103X	MG RESISTOR	10kΩ 1/16W J	CN1HHS	CH41169-R03Y	EH POST HEADER	
R1771	NRSA63J-153X	MG RESISTOR	15kΩ 1/16W J	ΔF1901	QMF51N1-5R0-J5	FUSE	5A AC125V
R1772	NRSA63J-103X	MG RESISTOR	10kΩ 1/16W J	ΔFC1901	CEMG002-001Z	FUSE CLIP	(x2)
R1773	NRSA63J-103X	MG RESISTOR	10kΩ 1/16W J	ΔH1002	LC30381-001A	HEAT SINK/FE-P/	
R1774	NRSA63J-103X	MG RESISTOR	10kΩ 1/16W J	ΔH1602	CEHE014-001WU	HEAT SINK	
R1775	NRSA63J-103X	MG RESISTOR	10kΩ 1/16W J	ΔHS1004	LC31696-001A	HEAT SINK/AL-F/	
R1776	NRSA63J-101X	MG RESISTOR	100Ω 1/16W J	ΔHS1009	LC31678-001A	HEAT SINK/AL-F/	
R1777	NRSA63J-101X	MG RESISTOR	100Ω 1/16W J	J1001	QNZ0454-001	AV JACK	S / V / L / R IN
R1778	NRSA63J-103X	MG RESISTOR	10kΩ 1/16W J	J1002	QNN0348-001	PIN JACK	L / R OUT
R1801	NRSA63J-680X	MG RESISTOR	68Ω 1/16W J	J1003	QNN0349-001	PIN JACK	V / L / R IN
R1802	NRSA63J-750X	MG RESISTOR	75Ω 1/16W J	J1005	CEMN065-001	PIN JACK	L / R IN
R1803	NRSA63J-750X	MG RESISTOR	75Ω 1/16W J	J1006	CEMN065-002	PIN JACK	V IN
R1804	NRSA63J-750X	MG RESISTOR	75Ω 1/16W J	J1007	CEMN072-003	PIN JACK	L IN
R1805	NRSA63J-101X	MG RESISTOR	100Ω 1/16W J	K1001	QQR0582-001Z	FERRITE BEADS	R IN
R1821	NRSA63J-124X	MG RESISTOR	120kΩ 1/16W J	K1101	QQR0582-001Z	FERRITE BEADS	
R1831	NRSA63J-750X	MG RESISTOR	75Ω 1/16W J	K1251	QQR0582-001Z	FERRITE BEADS	
R1851	NRSA63J-101X	MG RESISTOR	100Ω 1/16W J	K1253	QQR0582-001Z	FERRITE BEADS	
R1852	NRSA63J-101X	MG RESISTOR	100Ω 1/16W J	K1254	QQR0582-001Z	FERRITE BEADS	
R1853	NRSA63J-101X	MG RESISTOR	100Ω 1/16W J	K1401	QQR0582-001Z	FERRITE BEADS	
R1854	NRSA63J-101X	MG RESISTOR	100Ω 1/16W J	K1701	QQR0582-001Z	FERRITE BEADS	
R1855	NRSA63J-153X	MG RESISTOR	15kΩ 1/16W J	K1702	QQR0582-001Z	FERRITE BEADS	
R1856	NRSA63J-101X	MG RESISTOR	100Ω 1/16W J	K1901	QQR0582-001Z	FERRITE BEADS	
R1857	NRSA63J-103X	MG RESISTOR	10kΩ 1/16W J	K1902	QQR0582-001Z	FERRITE BEADS	
R1858	NRSA63J-101X	MG RESISTOR	100Ω 1/16W J	K1903	QQR0582-001Z	FERRITE BEADS	
R1859	NRSA63J-101X	MG RESISTOR	100Ω 1/16W J	K1904	QQR0582-001Z	FERRITE BEADS	
R1860	NRSA63J-101X	MG RESISTOR	100Ω 1/16W J	K1921	QQR0582-001Z	FERRITE BEADS	
R1861	NRSA63J-101X	MG RESISTOR	100Ω 1/16W J	K1922	QQR0582-001Z	FERRITE BEADS	
R1862	NRSA63J-104X	MG RESISTOR	100kΩ 1/16W J	K1923	QQR0582-001Z	FERRITE BEADS	
R1863	NRSA63J-473X	MG RESISTOR	47kΩ 1/16W J	ΔLF1901	QQR0527-003	LINE FILTER	
ΔR1901	QR074K-R47	UNF WW RESISTOR	0.47Ω 7W K	ΔRY1901	QSK0085-001	RELAY	
R1902	QRE121J-473Y	C RESISTOR	47kΩ 1/2W J	S1401	QSL4A13-C02	LEVER SWITCH	V. CENTER
R1903	QRE121J-473Y	C RESISTOR	47kΩ 1/2W J	S1751	QSW0619-003Z	TACT SWITCH	POWER
R1904	QRT029J-R22	MF RESISTOR	0.22Ω 2W J	S1752	QSW0619-003Z	TACT SWITCH	VOL +
R1905	QRT029J-R22	MF RESISTOR	0.22Ω 2W J	S1753	QSW0619-003Z	TACT SWITCH	VOL -
R1906	QRE121J-2R2Y	C RESISTOR	2.2Ω 1/2W J	S1754	QSW0619-003Z	TACT SWITCH	CH +
R1907	QRE121J-472Y	C RESISTOR	4.7kΩ 1/2W J	S1755	QSW0619-003Z	TACT SWITCH	CH-
R1908	QRK126J-681X	UNF C RESISTOR	680Ω 1/2W J	S1756	QSW0619-003Z	TACT SWITCH	MENU
R1910	QRE121J-684Y	C RESISTOR	680kΩ 1/2W J	SF1101	QAX0723-001	SAW FILTER	
R1911	QRG01GJ-470	OMF RESISTOR	47Ω 1W J	ΔSK1351	QNZ0536-001	CRT SOCKET	
R1922	NRSA63J-102X	MG RESISTOR	1kΩ 1/16W J	ΔTH1901	QAD0129-3R0	P THERMISTOR	3Ω
R1923	NRSA63J-473X	MG RESISTOR	47kΩ 1/16W J	ΔTU1001	QAU0275-002	TUNER	
R1924	QRX01GJ-1R0	MF RESISTOR	1Ω 1W J	ΔVA1901	ERZV10V621CS	ZNR	
R1925	QRX01GJ-1R0	MF RESISTOR	1Ω 1W J	W1001	NRSA63J-0R0X	MG RESISTOR	0Ω 1/16W J
R1926	QRT029J-1R2	MF RESISTOR	1.2Ω 2W J	W1002	NRSA63J-0R0X	MG RESISTOR	0Ω 1/16W J
R1927	QRT029J-1R2	MF RESISTOR	1.2Ω 2W J	W1412	NRSA63J-0R0X	MG RESISTOR	0Ω 1/16W J
R1928	QRE121J-272Y	C RESISTOR	2.7kΩ 1/2W J	W1728	NRSA63J-0R0X	MG RESISTOR	0Ω 1/16W J
R1929	QRE121J-223Y	C RESISTOR	22kΩ 1/2W J	W1729	NRSA63J-0R0X	MG RESISTOR	0Ω 1/16W J
R1930	QRE121J-473Y	C RESISTOR	47kΩ 1/2W J	W1801	NRSA63J-0R0X	MG RESISTOR	0Ω 1/16W J
R1932	NRSA63J-123X	MG RESISTOR	12kΩ 1/16W J	W1802	NRSA63J-0R0X	MG RESISTOR	0Ω 1/16W J
R1933	NRSA63J-123X	MG RESISTOR	12kΩ 1/16W J	W1815	NRSA63J-0R0X	MG RESISTOR	0Ω 1/16W J
R1934	NRSA63J-273X	MG RESISTOR	27kΩ 1/16W J	W1836	NRSA63J-0R0X	MG RESISTOR	0Ω 1/16W J
R1935	NRSA63J-333X	MG RESISTOR	33kΩ 1/16W J	X1701	QAX0717-001Z	CRYSTAL	8.000MHz
R1936	QRE121J-103Y	C RESISTOR	10kΩ 1/2W J	Y1251	NRSA63J-0R0X	MG RESISTOR	0Ω 1/16W J
R1938	QRE121J-103Y	C RESISTOR	10kΩ 1/2W J	Y1501	NRSA63J-0R0X	MG RESISTOR	0Ω 1/16W J
R1939	QRE121J-103Y	C RESISTOR	10kΩ 1/2W J	Y1601	NRSA63J-0R0X	MG RESISTOR	0Ω 1/16W J
R1941	QRG029J-180	OMF RESISTOR	18Ω 2W J	Y1602	NRSA63J-0R0X	MG RESISTOR	0Ω 1/16W J
R1942	QRE121J-5R6Y	C RESISTOR	5.6Ω 1/2W J	Y1605	NRSA63J-0R0X	MG RESISTOR	0Ω 1/16W J
R1943	QRE121J-820Y	C RESISTOR	82Ω 1/2W J	Y1854	NRSA63J-0R0X	MG RESISTOR	0Ω 1/16W J
ΔR1991	QRZ9041-275	C RESISTOR	2.7MΩ 1/2W K				
L1101	QQLZ014-R39	COIL	0.39uH 100mA L				
L1131	QQL244K-220Z	COIL	22uH K				
L1161	QQL244K-220Z	COIL	22uH K				
L1232	QQL244K-560Z	COIL	56uH K				
L1251	QQL244K-4R7Z	COIL	4.7uH K				
L1281	QQL244K-150Z	COIL	15uH K				
L1291	QQL244K-150Z	COIL	15uH K				
L1341	QQL03BJ-390Z	P COIL	39uH J				
L1521	QQR1027-004	LINEARITY COIL					
L1921	QQL26AK-470Z	COIL	47uH K				
L1922	QQL26AK-470Z	COIL	47uH K				
T1111	QQR0907-001	IFT					
T1501	CE42034-002	HOR DRIVE TRANS					
ΔT1901	QQT0355-001	POWER TRANSF					
ΔT1921	QQS0158-001	SW TRANSF					
CF1001	QAX0349-001	C TRAP					
CF1131	QAX0639-001Z	C TRAP	4.500MHz				
CF1161	QAX0642-001Z	C FILTER	4.500MHz				
CN100C	QGA2501F1-06	CONNECTOR	W-B (1-6)				
CN100S	QGA2501C5-04Z	CONNECTOR	W-B (1-4)				
CN100T	CHGC05-480	CONNECTOR WIRE					
CN100U	CHGC04-400	CONNECTOR ASSY					

[AV-27432/RA]
MAIN PW BOARD ASS'Y (SFE-1030A-M2)

△Ref No.	Part No.	Part Name	Description	Local
IC1101	M52342SP	IC		
IC1201	TM8812CPDNG4N35	IC(MCU)		
IC1251	TC90A49P	IC		
△IC1421	AN5522	IC		
△IC1602	LA4446	IC		
IC1603	CXA2134Q-X	IC		
IC1702	AT24WC-27430R	IC	(SERVICE)	
IC1703	S-80840CNY-T	IC		
IC1704	AN78L05-T	IC		
IC1751	GP1UM281QK	IR DETECT UNIT		
IC1851	TA1218AN	IC		
IC1901	STR-G5624A/F8	IC		
IC1921	AN7809F	IC		
IC1922	UPC7805AHF	IC		
Q1001	UN2212-X	DIGI TRANSISTOR		
Q1101	2SC5083/L-P/-T	TRANSISTOR		
Q1131	2SB709A/QR/-X	TRANSISTOR		
Q1161	2SD601A/QR/-X	TRANSISTOR		
Q1211	2SD601A/QR/-X	TRANSISTOR		
Q1232	2SD601A/QR/-X	TRANSISTOR		
Q1233	2SD601A/QR/-X	TRANSISTOR		
Q1251	2SD601A/QR/-X	TRANSISTOR		
Q1252	2SD601A/QR/-X	TRANSISTOR		
Q1281	2SB709A/QR/-X	TRANSISTOR		
Q1282	2SD601A/QR/-X	TRANSISTOR		
Q1283	2SB709A/QR/-X	TRANSISTOR		
Q1291	2SB709A/QR/-X	TRANSISTOR		
Q1292	2SD601A/QR/-X	TRANSISTOR		
Q1293	2SB709A/QR/-X	TRANSISTOR		
Q1301	2SC4544-LB	POW TRANSISTOR		
Q1311	2SC4544-LB	POW TRANSISTOR		
Q1321	2SC4544-LB	POW TRANSISTOR		
Q1331	2SD601A/QR/-X	TRANSISTOR		
Q1332	2SD601A/QR/-X	TRANSISTOR		
Q1352	2SD601A/QR/-X	TRANSISTOR		
Q1501	2SC4212/Z1/	TRANSISTOR		
△Q1521	2SD2634-YD	TRANSISTOR	H OUT	
Q1602	2SD601A/QR/-X	TRANSISTOR		
Q1681	2SD601A/QR/-X	TRANSISTOR		
Q1682	2SD601A/QR/-X	TRANSISTOR		
Q1683	2SD601A/QR/-X	TRANSISTOR		
Q1684	2SD601A/QR/-X	TRANSISTOR		
Q1701	2SB709A/QR/-X	TRANSISTOR		
Q1751	UN2112-X	DIGI TRANSISTOR		
Q1851	2SB709A/QR/-X	TRANSISTOR		
Q1921	2SD1383K/AB/-X	TRANSISTOR		
Q1922	2SC2785/JH/-T	SI TRANSISTOR		
Q1923	2SA1037AK/QR/-X	TRANSISTOR		
Q1924	2SA1208/ST/Z1-T	TRANSISTOR		
D1331	1SS133-T2	SI DIODE		
D1352	MTZJ9.1C-T2	Z.DIODE I M		
D1353	1SS133-T2	SI DIODE		
D1365	1SS133-T2	SI DIODE		
D1366	1SS133-T2	SI DIODE		
D1367	1SS133-T2	SI DIODE		
D1368	MTZJ5.1B-T2	Z DIODE		
D1369	MTZJ5.1B-T2	Z DIODE		
D1370	MTZJ5.1B-T2	Z DIODE		
D1401	1SR35-400A-T2	SI DIODE		
D1402	MTZJ75-T2	Z DIODE		
D1501	MTZJ3.3A-T2	Z DIODE		
D1521	1SR35-400A-T2	SI DIODE		
D1522	RH1S-T3	SI DIODE		
D1523	1SR35-400A-T2	SI DIODE		
D1524	RGPI0J-5025-T3	SI DIODE		
D1525	MTZJ5.6A-T2	Z DIODE		
D1526	MA4068NZ1/-T2	Z DIODE		
D1661	MTZJ9.1C-T2	Z.DIODE I M		
D1681	MTZJ9.1C-T2	Z.DIODE I M		
D1682	MTZJ9.1C-T2	Z.DIODE I M		
D1683	MTZJ9.1C-T2	Z.DIODE I M		
D1684	MTZJ9.1C-T2	Z.DIODE I M		
D1685	MTZJ9.1C-T2	Z.DIODE I M		
D1686	MTZJ9.1C-T2	Z.DIODE I M		
D1687	MTZJ9.1C-T2	Z.DIODE I M		
D1688	MTZJ9.1C-T2	Z.DIODE I M		
D1705	1SS133-T2	SI DIODE		
D1751	LG22440	LED	POWER / ON TIMER	
D1801	MTZJ9.1C-T2	Z.DIODE I M		
D1802	MTZJ9.1C-T2	Z.DIODE I M		
D1803	MTZJ9.1C-T2	Z.DIODE I M		
D1804	MTZJ9.1C-T2	Z.DIODE I M		
D1807	MTZJ9.1C-T2	Z.DIODE I M		
D1831	MTZJ9.1C-T2	Z.DIODE I M		
D1832	MTZJ9.1C-T2	Z DIODE		
D1833	MTZJ9.1C-T2	Z DIODE		
D1834	MTZJ9.1C-T2	Z.DIODE I M		
△D1901	GSIB460-S1	BRIDGE DIODE		
D1902	RGPI0J-5025-T3	SI DIODE		
D1903	RGPI0J-5025-T3	SI DIODE		
D1904	RGPI0J-5025-T3	SI DIODE		
D1905	SARS01-T2	SI DIODE		
D1907	MA700A-T2	SB DIODE		
D1908	MTZJ15C-T2	Z DIODE		
D1921	1SR35-400A-T2	SI DIODE		
D1922	1SR35-400A-T2	SI DIODE		
D1923	1SR35-400A-T2	SI DIODE		
D1924	1SR35-400A-T2	SI DIODE		
D1925	1SS133-T2	SI DIODE		
D1926	RU3AM-LFC4	SI DIODE		
D1927	RU3YX-LFC4	SI DIODE		
D1928	RU3YX-LFC4	SI DIODE		
D1929	MTZJ7.5A-T2	Z DIODE		
D1930	1SS133-T2	SI DIODE		
D1931	1SS133-T2	SI DIODE		
D1932	MTZJ33B-T2	Z DIODE		
D1933	1N4002G-T2	SI DIODE		
C1001	QETN1HM-475Z	E CAPACITOR	4.7uF 50V M	
C1002	NCB31HK-103X	C CAPACITOR	0.01uF 50V K	
C1003	QETN1VM-476Z	E CAPACITOR	47uF 35V M	
C1004	QETN1AM-477Z	E CAPACITOR	470uF 10V M	
C1005	NCB31HK-103X	C CAPACITOR	0.01uF 50V K	
C1101	NCB31HK-103X	C CAPACITOR	0.01uF 50V K	
C1102	NCB31HK-103X	C CAPACITOR	0.01uF 50V K	
C1104	NCB31HK-103X	C CAPACITOR	0.01uF 50V K	
C1105	NCB31HK-103X	C CAPACITOR	0.01uF 50V K	
C1106	QETN1EM-476Z	E CAPACITOR	47uF 25V M	
C1107	NCB31HK-103X	C CAPACITOR	0.01uF 50V K	
C1113	NCB31HK-103X	C CAPACITOR	0.01uF 50V K	
C1114	NCB31HK-103X	C CAPACITOR	0.01uF 50V K	
C1116	NCB31CK-224X	C CAPACITOR	0.22uF 16V K	
C1117	QETN1EM-476Z	E CAPACITOR	47uF 25V M	
C1118	NCB31HK-103X	C CAPACITOR	0.01uF 50V K	
C1119	NDC31HJ-681X	C CAPACITOR	680pF 50V J	
C1120	QETN1HM-474Z	E CAPACITOR	0.47uF 50V M	
C1124	NCB31HK-103X	C CAPACITOR	0.01uF 50V K	
C1131	NCB31HK-103X	C CAPACITOR	0.01uF 50V K	
C1161	QETN1HM-106Z	E CAPACITOR	10uF 50V M	
C1162	QETN1HM-106Z	E CAPACITOR	10uF 50V M	
C1163	NDC31HJ-470X	C CAPACITOR	47pF 50V J	
C1164	NDC31HJ-470X	C CAPACITOR	47pF 50V J	
C1165	NCB31HK-103X	C CAPACITOR	0.01uF 50V K	
C1166	NCB31HK-103X	C CAPACITOR	0.01uF 50V K	
C1202	QETN1HM-105Z	E CAPACITOR	1uF 50V M	
C1203	NCB31HK-152X	C CAPACITOR	1500pF 50V K	
C1211	QETN1HM-476Z	E CAPACITOR	47uF 50V M	
C1221	QETN1HM-106Z	E CAPACITOR	10uF 50V M	
C1222	NCB31HK-104X	C CAPACITOR	0.1uF 50V K	
C1223	NCB31HK-103X	C CAPACITOR	0.01uF 50V K	
C1233	NDC31HJ-680X	C CAPACITOR	68pF 50V J	
C1237	NCB31HK-103X	C CAPACITOR	0.01uF 50V K	
C1241	NCB31HK-103X	C CAPACITOR	0.01uF 50V K	
C1243	QETN1EM-476Z	E CAPACITOR	47uF 25V M	
C1244	NCB31HK-103X	C CAPACITOR	0.01uF 50V K	
C1247	QETN1HM-225Z	E CAPACITOR	2.2uF 50V M	
C1252	NDC31HJ-101X	C CAPACITOR	100pF 50V J	
C1253	NDC31HJ-470X	C CAPACITOR	47pF 50V J	
C1254	NDC31HJ-181X	C CAPACITOR	180pF 50V J	
C1261	NCB31HK-103X	C CAPACITOR	0.01uF 50V K	
C1262	QETN1EM-476Z	E CAPACITOR	47uF 25V M	
C1263	NCB31HK-103X	C CAPACITOR	0.01uF 50V K	
C1264	NCB31HK-103X	C CAPACITOR	0.01uF 50V K	
C1265	QETN1HM-474Z	E CAPACITOR	0.47uF 50V M	
C1266	NCB31HK-103X	C CAPACITOR	0.01uF 50V K	
C1267	NCB31HK-103X	C CAPACITOR	0.01uF 50V K	
C1268	QETN1EM-476Z	E CAPACITOR	47uF 25V M	
C1269	NCB31HK-103X	C CAPACITOR	0.01uF 50V K	
C1270	QETN1EM-476Z	E CAPACITOR	47uF 25V M	
C1272	NCB31HK-103X	C CAPACITOR	0.01uF 50V K	
C1273	NCB31HK-103X	C CAPACITOR	0.01uF 50V K	
C1274	NDC31HJ-181X	C CAPACITOR	180pF 50V J	
C1275	QETN1EM-476Z	E CAPACITOR	47uF 25V M	
C1276	NCB31HK-103X	C CAPACITOR	0.01uF 50V K	
C1277	NCB31HK-103X	C CAPACITOR	0.01uF 50V K	
C1278	NCB31HK-103X	C CAPACITOR	0.01uF 50V K	
C1283	NDC31HJ-330X	C CAPACITOR	33pF 50V J	
C1293	NDC31HJ-470X	C CAPACITOR	47pF 50V J	

△Ref No.	Part No.	Part Name	Description	Local	△Ref No.	Part No.	Part Name	Description	Local
C1302	NDC31HJ-331X	C CAPACITOR	330pF 50V J		C1688	QETN1HM-106Z	E CAPACITOR	10uF 50V M	
C1312	NDC31HJ-271X	C CAPACITOR	270pF 50V J		C1689	QETN1CM-336Z	E CAPACITOR	33uF 16V M	
C1322	NDC31HJ-271X	C CAPACITOR	270pF 50V J		C1701	NCB31HK-102X	C CAPACITOR	1000pF 50V K	
C1331	QETN1HM-105Z	E CAPACITOR	1uF 50V M		C1702	QETN1HM-106Z	E CAPACITOR	10uF 50V M	
C1341	QETN1CM-107Z	E CAPACITOR	100uF 16V M		C1703	QETN1HM-106Z	E CAPACITOR	10uF 50V M	
△C1343	QCZ0121-102	C CAPACITOR	1000pF 3KV		C1704	QETN1EM-476Z	E CAPACITOR	47uF 25V M	
C1352	QETN1EM-476Z	E CAPACITOR	47uF 25V M		C1705	NCB31HK-103X	C CAPACITOR	0.01uF 50V K	
C1354	NCB31HK-103X	C CAPACITOR	0.01uF 50V K		C1708	NDC31HJ-220X	C CAPACITOR	22pF 50V J	
C1361	QETN1EM-476Z	E CAPACITOR	47uF 25V M		C1709	NDC31HJ-220X	C CAPACITOR	22pF 50V J	
C1362	NCB31HK-103X	C CAPACITOR	0.01uF 50V K		C1711	QETN1EM-476Z	E CAPACITOR	47uF 25V M	
C1401	QFV1HJ-474Z	MF CAPACITOR	0.47uF 50V J		C1712	NCB31HK-103X	C CAPACITOR	0.01uF 50V K	
C1402	NCB31HK-102X	C CAPACITOR	1000pF 50V K		C1716	QETN1HM-106Z	E CAPACITOR	10uF 50V M	
C1403	QENC1CM-106Z	BP E CAPACITOR	10uF 16V M		C1751	QETN1EM-476Z	E CAPACITOR	47uF 25V M	
C1404	NCB31HK-222X	C CAPACITOR	2200pF 50V K		C1801	QETN1HM-106Z	E CAPACITOR	10uF 50V M	
C1405	QETN1HM-106Z	E CAPACITOR	10uF 50V M		C1802	QETN1HM-106Z	E CAPACITOR	10uF 50V M	
C1406	NCB31HK-102X	C CAPACITOR	1000pF 50V K		C1803	QETN1HM-105Z	E CAPACITOR	1uF 50V M	
C1407	QETN1VM-107Z	E CAPACITOR	100uF 35V M		C1804	QETN1HM-106Z	E CAPACITOR	10uF 50V M	
C1408	QCS32HJ-100Z	C CAPACITOR	10pF 500V J		C1807	NCB31HK-103X	C CAPACITOR	0.01uF 50V K	
C1409	QFLC2AK-104Z	M CAPACITOR	0.1uF 100V K		C1815	NCB31HK-103X	C CAPACITOR	0.01uF 50V K	
C1410	QFLC2AK-104Z	M CAPACITOR	0.1uF 100V K		C1831	NCB31HK-104X	C CAPACITOR	0.1uF 50V K	
C1411	QETM1VM-228	E CAPACITOR	2200uF 35V M		C1832	NCB31HK-104X	C CAPACITOR	0.1uF 50V K	
C1412	QETN1HM-225Z	E CAPACITOR	2.2uF 50V M		C1833	NCB31HK-104X	C CAPACITOR	0.1uF 50V K	
C1501	QETN1EM-476Z	E CAPACITOR	47uF 25V M		C1834	QETN1HM-106Z	E CAPACITOR	10uF 50V M	
C1502	NCB31HK-103X	C CAPACITOR	0.01uF 50V K		C1851	NCB31HK-103X	C CAPACITOR	0.01uF 50V K	
C1503	NCB31HK-103X	C CAPACITOR	0.01uF 50V K		C1852	NCB31HK-103X	C CAPACITOR	0.01uF 50V K	
C1504	QETN1HM-225Z	E CAPACITOR	2.2uF 50V M		C1853	QETN1HM-106Z	E CAPACITOR	10uF 50V M	
C1505	NCB31AK-474X	C CAPACITOR	0.47uF 10V K		C1854	NCB31HK-103X	C CAPACITOR	0.01uF 50V K	
C1506	QETN1EM-476Z	E CAPACITOR	47uF 25V M		C1855	NCB31HK-103X	C CAPACITOR	0.01uF 50V K	
C1507	NCB31HK-103X	C CAPACITOR	0.01uF 50V K		C1856	NCB31HK-103X	C CAPACITOR	0.01uF 50V K	
C1508	QCB32HK-151Z	C CAPACITOR	150pF 500V K		C1857	QETN1HM-106Z	E CAPACITOR	10uF 50V M	
C1509	QCB32HK-331Z	C CAPACITOR	330pF 500V K		C1858	NCB31HK-103X	C CAPACITOR	0.01uF 50V K	
C1510	QETN2EM-225Z	E CAPACITOR	2.2uF 50V M		C1859	NCB31HK-103X	C CAPACITOR	0.01uF 50V K	
C1522	QFZ0198-123	MPP CAPACITOR	0.012uF 1.5KV		C1860	NCB31HK-103X	C CAPACITOR	0.01uF 50V K	
C1523	QFZ0199-564	MPP CAPACITOR	0.56uF 250V K		C1861	QETN1EM-476Z	E CAPACITOR	47uF 25V M	
C1524	QCB32HK-561Z	C CAPACITOR	560pF 500V K		C1862	QETN1HM-106Z	E CAPACITOR	10uF 50V M	
C1525	QEZO203-107	E CAPACITOR	100uF 160V M		△C1901	QFZ9072-104	MM CAPACITOR	0.1uF AC250V K	
C1526	QFLC1HJ-823Z	M CAPACITOR	0.082uF 50V J		△C1902	QFZ9072-104	MM CAPACITOR	0.1uF AC250V K	
C1527	QETN2EM-106Z	E CAPACITOR	10uF 250V M		C1903	QEZO561-477	E CAPACITOR	470uF 200V	
C1528	QETN1VM-108Z	E CAPACITOR	1000uF 35V M		△C1904	QCZ9054-102	C CAPACITOR	1000pF AC250V Z	
C1529	QETN1VM-476Z	E CAPACITOR	47uF 35V M		△C1905	QCZ9054-102	C CAPACITOR	1000pF AC250V Z	
C1530	QFLC2AK-104Z	M CAPACITOR	0.1uF 100V K		C1907	QETN1HM-476Z	E CAPACITOR	47uF 50V M	
C1614	QETN1CM-477Z	E CAPACITOR	470uF 16V M		C1908	QCZ0340-332	C CAPACITOR	3300pF 2kV K	
C1616	QETN1HM-475Z	E CAPACITOR	4.7uF 50V M		C1909	NCB31HK-182X	C CAPACITOR	1800pF 50V K	
C1617	QETN1CM-227Z	E CAPACITOR	220uF 16V M		C1910	NDC31HJ-471X	C CAPACITOR	470pF 50V J	
C1618	QETN1CM-107Z	E CAPACITOR	100uF 16V M		C1911	QFP32GJ-103Z	PP CAPACITOR	0.01uF 400V J	
C1619	QETN1CM-477Z	E CAPACITOR	470uF 16V M		C1921	QETN1EM-477Z	E CAPACITOR	470uF 25V M	
C1620	NCF31CZ-104X	C CAPACITOR	0.1uF 16V Z		C1923	QEZO203-107	E CAPACITOR	100uF 160V M	
C1622	QETN1HM-475Z	E CAPACITOR	4.7uF 50V M		C1924	QETN2CM-476Z	E CAPACITOR	47uF 160V M	
C1623	QETN1CM-227Z	E CAPACITOR	220uF 16V M		C1925	QETN1CM-108Z	E CAPACITOR	1000uF 16V M	
C1624	QETN1CM-107Z	E CAPACITOR	100uF 16V M		C1926	QETN1CM-107Z	E CAPACITOR	100uF 16V M	
C1625	QETN1CM-477Z	E CAPACITOR	470uF 16V M		C1927	QETN1CM-477Z	E CAPACITOR	470uF 16V M	
C1626	NCF31CZ-104X	C CAPACITOR	0.1uF 16V Z		C1929	QCZ0340-102	C CAPACITOR	1000pF 2kV K	
C1627	QETN1CM-227Z	E CAPACITOR	220uF 16V M		C1930	QCB32HK-102Z	C CAPACITOR	1000pF 500V K	
C1651	QENC1HM-475Z	BP E CAPACITOR	4.7uF 50V M		C1931	QCB32HK-102Z	C CAPACITOR	1000pF 500V K	
C1652	NCB31HK-104X	C CAPACITOR	0.1uF 50V K		C1932	QETN0JM-107Z	E CAPACITOR	100uF 6.3V M	
C1653	QENC1HM-475Z	BP E CAPACITOR	4.7uF 50V M		C1933	QETN1VM-476Z	E CAPACITOR	47uF 35V M	
C1654	NCB31HK-562X	C CAPACITOR	5600pF 50V K		C1935	QETN1CM-476Z	E CAPACITOR	47uF 16V M	
C1655	NCB31HK-123X	C CAPACITOR	0.012uF 50V K		C1940	NCB31HK-103X	C CAPACITOR	0.01uF 50V K	
C1656	QETN1HM-105Z	E CAPACITOR	1uF 50V M		C1941	QETN1CM-107Z	E CAPACITOR	100uF 16V M	
C1657	QETN1HM-106Z	E CAPACITOR	10uF 50V M		C1942	QETN1CM-107Z	E CAPACITOR	100uF 16V M	
C1658	QETN1HM-106Z	E CAPACITOR	10uF 50V M		C1943	NCB31HK-103X	C CAPACITOR	0.01uF 50V K	
C1659	QETN1HM-475Z	E CAPACITOR	4.7uF 50V M		C1944	QETN1CM-107Z	E CAPACITOR	100uF 16V M	
C1660	QETN1EM-476Z	E CAPACITOR	47uF 25V M		C1945	NCB31HK-103X	C CAPACITOR	0.01uF 50V K	
C1661	NCB31HK-103X	C CAPACITOR	0.01uF 50V K		△C1991	QCZ9074-103	C CAPACITOR	0.01uF 250V	
C1662	QENC1HM-475Z	BP E CAPACITOR	4.7uF 50V M		△C1992	QCZ9074-103	C CAPACITOR	0.01uF 250V	
C1663	QETN1HM-475Z	E CAPACITOR	4.7uF 50V M						
C1664	QENC1HM-475Z	BP E CAPACITOR	4.7uF 50V M		R1003	NRSA63J-221X	MG RESISTOR	220Ω 1/16W J	
C1665	NCB31HK-272X	C CAPACITOR	2700pF 50V K		R1004	NRSA63J-221X	MG RESISTOR	220Ω 1/16W J	
C1666	NCB31HK-473X	C CAPACITOR	0.047uF 50V K		R1005	NRSA63J-0R0X	MG RESISTOR	0Ω 1/16W J	
C1667	QETN1HM-335Z	E CAPACITOR	3.3uF 50V M		R1006	NRSA63J-223X	MG RESISTOR	22kΩ 1/16W J	
C1668	QENC1HM-475Z	BP E CAPACITOR	4.7uF 50V M		R1008	NRSA63J-820X	MG RESISTOR	82Ω 1/16W J	
C1669	QETN1HM-106Z	E CAPACITOR	10uF 50V M		R1101	NRSA63J-562X	MG RESISTOR	5.6kΩ 1/16W J	
C1670	QETN1HM-105Z	E CAPACITOR	1uF 50V M		R1102	NRSA63J-182X	MG RESISTOR	1.8kΩ 1/16W J	
C1671	QETN1HM-106Z	E CAPACITOR	10uF 50V M		R1103	QRE121J-101Y	C RESISTOR	100Ω 1/2W J	
C1672	QETN1HM-106Z	E CAPACITOR	10uF 50V M		R1104	NRSA63J-180X	MG RESISTOR	18Ω 1/16W J	
C1673	NCB31HK-223X	C CAPACITOR	0.022uF 50V K		R1105	NRSA63J-270X	MG RESISTOR	27Ω 1/16W J	
C1674	NCB31HK-472X	C CAPACITOR	4700pF 50V K		R1111	NRSA63J-394X	MG RESISTOR	390kΩ 1/16W J	
C1675	QENC1HM-475Z	BP E CAPACITOR	4.7uF 50V M		R1112	NRSA63J-334X	MG RESISTOR	330kΩ 1/16W J	
C1676	NCB31HK-104X	C CAPACITOR	0.1uF 50V K		R1113	NRSA63J-101X	MG RESISTOR	100Ω 1/16W J	
C1677	NCB31HK-472X	C CAPACITOR	4700pF 50V K		R1115	NRSA63J-101X	MG RESISTOR	100Ω 1/16W J	
C1681	QETN1HM-106Z	E CAPACITOR	10uF 50V M		R1116	NRSA63J-680X	MG RESISTOR	68Ω 1/16W J	
C1682	QETN1HM-106Z	E CAPACITOR	10uF 50V M		R1117	NRSA63J-273X	MG RESISTOR	27kΩ 1/16W J	
C1683	QETN1HM-106Z	E CAPACITOR	10uF 50V M		R1131	NRSA63J-102X	MG RESISTOR	1kΩ 1/16W J	
C1684	QETN1HM-106Z	E CAPACITOR	10uF 50V M		R1132	NRSA63J-221X	MG RESISTOR	220Ω 1/16W J	
C1685	QETN1HM-106Z	E CAPACITOR	10uF 50V M		R1133	NRSA63J-821X	MG RESISTOR	820Ω 1/16W J	
C1686	QETN1HM-106Z	E CAPACITOR	10uF 50V M		R1134	NRSA63J-681X	MG RESISTOR	680Ω 1/16W J	
C1687	QETN1HM-106Z	E CAPACITOR	10uF 50V M		R1135	NRSA63J-102X	MG RESISTOR	1kΩ 1/16W J	

△Ref No.	Part No.	Part Name	Description	Local	△Ref No.	Part No.	Part Name	Description	Local
R1161	NRSA63J-332X	MG RESISTOR	3.3kΩ 1/16W J		R1507	NRSA63J-561X	MG RESISTOR	560Ω 1/16W J	
R1163	NRSA63J-223X	MG RESISTOR	22kΩ 1/16W J		R1508	NRSA63J-101X	MG RESISTOR	100Ω 1/16W J	
R1164	NRSA63J-102X	MG RESISTOR	1kΩ 1/16W J		R1509	NRSA63J-271X	MG RESISTOR	270Ω 1/16W J	
R1165	NRSA63J-223X	MG RESISTOR	22kΩ 1/16W J		R1510	QRE121J-103Y	C RESISTOR	10kΩ 1/2W J	
R1166	NRSA63J-103X	MG RESISTOR	10kΩ 1/16W J		R1511	QRG029J-182	OMF RESISTOR	1.8kΩ 2W J	
R1167	NRSA63J-102X	MG RESISTOR	1kΩ 1/16W J		R1512	QRG029J-182	OMF RESISTOR	1.8kΩ 2W J	
R1168	NRSA63J-101X	MG RESISTOR	100Ω 1/16W J		R1521	QRE121J-220Y	C RESISTOR	22Ω 1/2W J	
R1169	NRSA63J-561X	MG RESISTOR	560Ω 1/16W J		R1522	QRE121J-681Y	C RESISTOR	680Ω 1/2W J	
R1171	NRSA63J-103X	MG RESISTOR	10kΩ 1/16W J		R1523	QRL039J-152	OMF RESISTOR	1.5kΩ 3W J	
R1201	NRSA63J-223X	MG RESISTOR	22kΩ 1/16W J		R1524	QRE121J-224Y	C RESISTOR	220kΩ 1/2W J	
R1212	NRSA63J-272X	MG RESISTOR	2.7kΩ 1/16W J		R1525	QRE121J-184Y	C RESISTOR	180kΩ 1/2W J	
R1215	NRSA63J-562X	MG RESISTOR	5.6kΩ 1/16W J		R1526	QRK129J-150	UNF C RESISTOR	15Ω 1/2W J	
R1216	NRSA63J-562X	MG RESISTOR	5.6kΩ 1/16W J		R1527	QRX01GJ-1R0	MF RESISTOR	1Ω 1W J	
R1217	NRSA63J-102X	MG RESISTOR	1kΩ 1/16W J		R1528	QRE121J-103Y	C RESISTOR	10kΩ 1/2W J	
R1227	NRSA63J-104X	MG RESISTOR	100kΩ 1/16W J		R1529	QRK126J-4R7X	UNF C RESISTOR	4.7Ω 1/2W J	
R1231	NRSA63J-182X	MG RESISTOR	1.8kΩ 1/16W J		R1530	QRX029J-1R5	MF RESISTOR	1.5Ω 2W J	
R1232	NRSA63J-392X	MG RESISTOR	3.9kΩ 1/16W J		R1531	NRZ0032-7151X	CMF RESISTOR	7.15kΩ	
R1233	NRSA63J-332X	MG RESISTOR	3.3kΩ 1/16W J		R1533	NRZ0032-2941X	CMF RESISTOR	2.94kΩ	
R1234	NRSA63J-152X	MG RESISTOR	1.5kΩ 1/16W J		R1541	QRE121J-683Y	C RESISTOR	68kΩ 1/2W J	
R1235	NRSA63J-102X	MG RESISTOR	1kΩ 1/16W J		R1614	QRL039J-100	OMF RESISTOR	10Ω 3W J	
R1251	NRSA63J-332X	MG RESISTOR	3.3kΩ 1/16W J		R1615	NRSA63J-123X	MG RESISTOR	12kΩ 1/16W J	
R1252	NRSA63J-103X	MG RESISTOR	10kΩ 1/16W J		R1616	NRSA63J-123X	MG RESISTOR	12kΩ 1/16W J	
R1253	NRSA63J-102X	MG RESISTOR	1kΩ 1/16W J		R1617	NRSA63J-332X	MG RESISTOR	3.3kΩ 1/16W J	
R1254	NRSA63J-181X	MG RESISTOR	180Ω 1/16W J		R1618	NRSA63J-332X	MG RESISTOR	3.3kΩ 1/16W J	
R1255	NRSA63J-152X	MG RESISTOR	1.5kΩ 1/16W J		R1619	NRSA63J-471X	MG RESISTOR	470Ω 1/16W J	
R1256	NRSA63J-152X	MG RESISTOR	1.5kΩ 1/16W J		R1620	NRSA63J-471X	MG RESISTOR	470Ω 1/16W J	
R1257	NRSA63J-222X	MG RESISTOR	2.2kΩ 1/16W J		R1621	QRE121J-4R7Y	C RESISTOR	4.7Ω 1/2W J	
R1261	NRSA63J-101X	MG RESISTOR	100Ω 1/16W J		R1622	QRE121J-4R7Y	C RESISTOR	4.7Ω 1/2W J	
R1262	NRSA63J-101X	MG RESISTOR	100Ω 1/16W J		R1625	NRSA63J-103X	MG RESISTOR	10kΩ 1/16W J	
R1263	NRSA63J-101X	MG RESISTOR	100Ω 1/16W J		R1627	NRSA63J-101X	MG RESISTOR	100Ω 1/16W J	
R1264	NRSA63J-821X	MG RESISTOR	820Ω 1/16W J		R1631	QRX029J-3R3	MF RESISTOR	3.3Ω 2W J	
R1282	NRSA63J-222X	MG RESISTOR	2.2kΩ 1/16W J		R1651	NRSA63J-101X	MG RESISTOR	100Ω 1/16W J	
R1283	NRSA63J-821X	MG RESISTOR	820Ω 1/16W J		R1652	NRSA63J-101X	MG RESISTOR	100Ω 1/16W J	
R1285	NRSA63J-331X	MG RESISTOR	330Ω 1/16W J		R1653	NRSA63J-105X	MG RESISTOR	1MΩ 1/16W J	
R1286	NRSA63J-102X	MG RESISTOR	1kΩ 1/16W J		R1654	NRSA63J-104X	MG RESISTOR	100kΩ 1/16W J	
R1287	NRSA63J-102X	MG RESISTOR	1kΩ 1/16W J		R1655	NRSA63J-682X	MG RESISTOR	6.8kΩ 1/16W J	
R1288	NRSA63J-0R0X	MG RESISTOR	0Ω 1/16W J		R1656	NRSA63J-123X	MG RESISTOR	12kΩ 1/16W J	
R1292	NRSA63J-222X	MG RESISTOR	2.2kΩ 1/16W J		R1657	NRSA63F-623X	MG RESISTOR	62kΩ 1/16W F	
R1293	NRSA63J-471X	MG RESISTOR	470Ω 1/16W J		R1658	NRSA63J-332X	MG RESISTOR	3.3kΩ 1/16W J	
R1295	NRSA63J-331X	MG RESISTOR	330Ω 1/16W J		R1659	NRSA63J-302X	MG RESISTOR	3kΩ 1/16W J	
R1296	NRSA63J-102X	MG RESISTOR	1kΩ 1/16W J		R1661	NRSA63J-392X	MG RESISTOR	3.9kΩ 1/16W J	
R1297	NRSA63J-102X	MG RESISTOR	1kΩ 1/16W J		R1662	NRSA63J-681X	MG RESISTOR	680Ω 1/16W J	
R1298	NRSA63J-0R0X	MG RESISTOR	0Ω 1/16W J		R1663	NRSA63J-681X	MG RESISTOR	680Ω 1/16W J	
R1301	NRSA63J-151X	MG RESISTOR	150Ω 1/16W J		R1664	NRSA63J-101X	MG RESISTOR	100Ω 1/16W J	
R1302	QRL029J-123	OMF RESISTOR	12kΩ 2W J		R1665	NRSA63J-101X	MG RESISTOR	100Ω 1/16W J	
R1303	QRZ0111-152	C RESISTOR	1.5kΩ 1/2W K		R1666	NRSA63J-101X	MG RESISTOR	100Ω 1/16W J	
R1304	NRSA63J-332X	MG RESISTOR	3.3kΩ 1/16W J		R1667	NRSA63J-101X	MG RESISTOR	100Ω 1/16W J	
R1305	NRSA63J-271X	MG RESISTOR	270Ω 1/16W J		R1681	NRSA63J-681X	MG RESISTOR	680Ω 1/16W J	
R1306	NRSA63J-101X	MG RESISTOR	100Ω 1/16W J		R1682	NRSA63J-681X	MG RESISTOR	680Ω 1/16W J	
R1311	NRSA63J-151X	MG RESISTOR	150Ω 1/16W J		R1683	NRSA63J-223X	MG RESISTOR	22kΩ 1/16W J	
R1312	QRL029J-123	OMF RESISTOR	12kΩ 2W J		R1684	NRSA63J-223X	MG RESISTOR	22kΩ 1/16W J	
R1313	QRZ0111-152	C RESISTOR	1.5kΩ 1/2W K		R1685	NRSA63J-223X	MG RESISTOR	22kΩ 1/16W J	
R1314	NRSA63J-332X	MG RESISTOR	3.3kΩ 1/16W J		R1686	NRSA63J-223X	MG RESISTOR	22kΩ 1/16W J	
R1315	NRSA63J-271X	MG RESISTOR	270Ω 1/16W J		R1687	NRSA63J-221X	MG RESISTOR	220Ω 1/16W J	
R1316	NRSA63J-101X	MG RESISTOR	100Ω 1/16W J		R1688	NRSA63J-221X	MG RESISTOR	220Ω 1/16W J	
R1321	NRSA63J-151X	MG RESISTOR	150Ω 1/16W J		R1691	NRSA63J-823X	MG RESISTOR	82kΩ 1/16W J	
R1322	QRL029J-123	OMF RESISTOR	12kΩ 2W J		R1692	NRSA63J-823X	MG RESISTOR	82kΩ 1/16W J	
R1323	QRZ0111-152	C RESISTOR	1.5kΩ 1/2W K		R1701	NRSA63J-102X	MG RESISTOR	1kΩ 1/16W J	
R1324	NRSA63J-332X	MG RESISTOR	3.3kΩ 1/16W J		R1702	NRSA63J-102X	MG RESISTOR	1kΩ 1/16W J	
R1325	NRSA63J-271X	MG RESISTOR	270Ω 1/16W J		R1703	NRSA63J-103X	MG RESISTOR	10kΩ 1/16W J	
R1326	NRSA63J-101X	MG RESISTOR	100Ω 1/16W J		R1704	NRSA63J-472X	MG RESISTOR	4.7kΩ 1/16W J	
R1331	NRSA63J-223X	MG RESISTOR	22kΩ 1/16W J		R1705	NRSA63J-472X	MG RESISTOR	4.7kΩ 1/16W J	
R1332	NRSA63J-101X	MG RESISTOR	100Ω 1/16W J		R1706	NRSA63J-472X	MG RESISTOR	4.7kΩ 1/16W J	
R1333	NRSA63J-103X	MG RESISTOR	10kΩ 1/16W J		R1707	NRSA63J-103X	MG RESISTOR	10kΩ 1/16W J	
R1354	NRSA63J-331X	MG RESISTOR	330Ω 1/16W J		R1708	NRSA63J-101X	MG RESISTOR	100Ω 1/16W J	
R1356	NRSA63J-123X	MG RESISTOR	12kΩ 1/16W J		R1709	NRSA63J-101X	MG RESISTOR	100Ω 1/16W J	
R1359	NRSA63J-103X	MG RESISTOR	10kΩ 1/16W J		R1714	NRSA63J-823X	MG RESISTOR	82kΩ 1/16W J	
R1360	NRSA63J-0R0X	MG RESISTOR	0Ω 1/16W J		R1715	NRSA63J-101X	MG RESISTOR	100Ω 1/16W J	
R1364	NRSA63J-101X	MG RESISTOR	100Ω 1/16W J		R1718	NRSA63J-223X	MG RESISTOR	22kΩ 1/16W J	
R1365	NRSA63J-101X	MG RESISTOR	100Ω 1/16W J		R1720	QRJ149J-1R0	UNF C RESISTOR	1Ω 1/4W J	
R1366	NRSA63J-101X	MG RESISTOR	100Ω 1/16W J		R1721	NRSA63J-102X	MG RESISTOR	1kΩ 1/16W J	
R1401	NRSA63J-102X	MG RESISTOR	1kΩ 1/16W J		R1729	NRSA63J-223X	MG RESISTOR	22kΩ 1/16W J	
R1402	NRSA63J-472X	MG RESISTOR	4.7kΩ 1/16W J		R1731	NRSA63J-101X	MG RESISTOR	100Ω 1/16W J	
R1403	NRSA63J-103X	MG RESISTOR	10kΩ 1/16W J		R1732	NRSA63J-101X	MG RESISTOR	100Ω 1/16W J	
R1405	NRSA63J-103X	MG RESISTOR	10kΩ 1/16W J		R1733	NRSA63J-472X	MG RESISTOR	4.7kΩ 1/16W J	
R1407	QRE121J-681Y	C RESISTOR	680Ω 1/2W J		R1734	NRSA63J-472X	MG RESISTOR	4.7kΩ 1/16W J	
R1408	QRE121J-681Y	C RESISTOR	680Ω 1/2W J		R1739	NRSA63J-272X	MG RESISTOR	2.7kΩ 1/16W J	
R1409	QRX01GJ-1R0	MF RESISTOR	1Ω 1W J		R1740	NRSA63J-101X	MG RESISTOR	100Ω 1/16W J	
R1411	NRSA63J-123X	MG RESISTOR	12kΩ 1/16W J		R1751	NRSA63J-102X	MG RESISTOR	1kΩ 1/16W J	
R1412	NRSA63J-153X	MG RESISTOR	15kΩ 1/16W J		R1752	NRSA63J-102X	MG RESISTOR	1kΩ 1/16W J	
R1414	NRSA63J-103X	MG RESISTOR	10kΩ 1/16W J		R1753	NRSA63J-152X	MG RESISTOR	1.5kΩ 1/16W J	
R1416	QRE121J-102Y	C RESISTOR	1kΩ 1/2W J		R1754	NRSA63J-272X	MG RESISTOR	2.7kΩ 1/16W J	
R1501	NRSA63J-472X	MG RESISTOR	4.7kΩ 1/16W J		R1755	NRSA63J-562X	MG RESISTOR	5.6kΩ 1/16W J	
R1502	NRSA63J-681X	MG RESISTOR	680Ω 1/16W J		R1756	NRSA63J-122X	MG RESISTOR	1.2kΩ 1/16W J	
R1504	NRSA63J-392X	MG RESISTOR	3.9kΩ 1/16W J		R1757	NRSA63J-101X	MG RESISTOR	100Ω 1/16W J	
R1505	NRSA63J-154X	MG RESISTOR	150kΩ 1/16W J		R1758	NRSA63J-101X	MG RESISTOR	100Ω 1/16W J	
R1506	NRSA63J-471X	MG RESISTOR	470Ω 1/16W J		R1764	NRSA63J-471X	MG RESISTOR	470Ω 1/16W J	

△Ref No.	Part No.	Part Name	Description	Local	△Ref No.	Part No.	Part Name	Description	Local
R1765	NRSA63J-471X	MG RESISTOR	470Ω 1/16W J		CF1131	QAX0639-001Z	C TRAP	4.500MHz	
R1766	NRSA63J-471X	MG RESISTOR	470Ω 1/16W J		CF1161	QAX0642-001Z	C FILTER	4.500MHz	
R1767	NRSA63J-471X	MG RESISTOR	470Ω 1/16W J		CN100C	QGA2501F1-06	CONNECTOR	W-B (1-6)	
R1768	NRSA63J-682X	MG RESISTOR	6.8kΩ 1/16W J		CN100S	QGA2501C5-04Z	CONNECTOR	W-B (1-4)	
R1769	NRSA63J-102X	MG RESISTOR	1kΩ 1/16W J		CN100T	CHGC05-480	CONNECTOR WIRE		
R1770	NRSA63J-103X	MG RESISTOR	10kΩ 1/16W J		CN100U	CHGC04-400	CONNECTOR ASSY		
R1771	NRSA63J-153X	MG RESISTOR	15kΩ 1/16W J		CN10B1	CH41169-R03Y	EH POST HEADER		
R1772	NRSA63J-103X	MG RESISTOR	10kΩ 1/16W J		CN10E1	CHGT0015-0B	CONNECTOR ASSY		
R1773	NRSA63J-103X	MG RESISTOR	10kΩ 1/16W J		CN10HV	QGZ5004C1-06	CONNECTOR	(1-6)	
R1774	NRSA63J-103X	MG RESISTOR	10kΩ 1/16W J		△CN1DEG	QGA7901C1-02	CONNECTOR	W-B (1-2)	
R1775	NRSA63J-103X	MG RESISTOR	10kΩ 1/16W J		CN1HHS	CH41169-R03Y	EH POST HEADER		
R1776	NRSA63J-101X	MG RESISTOR	100Ω 1/16W J		△F1901	QMF51N1-5R0-J5	FUSE	5A AC125V	
R1777	NRSA63J-101X	MG RESISTOR	100Ω 1/16W J		△FC1901	CEMG002-001Z	FUSE CLIP	(x2)	
R1778	NRSA63J-103X	MG RESISTOR	10kΩ 1/16W J		△H1002	LC30381-001A	HEAT SINK/FE-P/		
R1801	NRSA63J-680X	MG RESISTOR	68Ω 1/16W J		△H1602	CEHE014-001WU	HEAT SINK		
R1802	NRSA63J-750X	MG RESISTOR	75Ω 1/16W J		△HS1004	LC31696-001A	HEAT SINK/AL-F/		
R1803	NRSA63J-750X	MG RESISTOR	75Ω 1/16W J		△HS1009	LC31678-001A	HEAT SINK/AL-F/		
R1804	NRSA63J-750X	MG RESISTOR	75Ω 1/16W J		J1001	QNZ0454-001	AV JACK	S / V / L / R IN	
R1805	NRSA63J-101X	MG RESISTOR	100Ω 1/16W J		J1002	QNN0348-001	PIN JACK	L / R OUT	
R1821	NRSA63J-124X	MG RESISTOR	120kΩ 1/16W J		J1003	QNN0349-002	PIN JACK	V / L / R IN	
R1831	NRSA63J-750X	MG RESISTOR	75Ω 1/16W J		J1004	QNN0348-001	PIN JACK	L / R IN	
R1832	NRSA63J-750X	MG RESISTOR	75Ω 1/16W J		J1005	CEMN065-001	PIN JACK	V IN	
R1833	NRSA63J-750X	MG RESISTOR	75Ω 1/16W J		J1006	CEMN065-002	PIN JACK	L IN	
R1834	NRSA63J-101X	MG RESISTOR	100Ω 1/16W J		J1007	CEMN072-003	PIN JACK	R IN	
R1835	NRSA63J-101X	MG RESISTOR	100Ω 1/16W J		K1001	QQR0582-001Z	FERRITE BEADS		
R1836	NRSA63J-101X	MG RESISTOR	100Ω 1/16W J		K1101	QQR0582-001Z	FERRITE BEADS		
R1851	NRSA63J-101X	MG RESISTOR	100Ω 1/16W J		K1251	QQR0582-001Z	FERRITE BEADS		
R1852	NRSA63J-101X	MG RESISTOR	100Ω 1/16W J		K1253	QQR0582-001Z	FERRITE BEADS		
R1853	NRSA63J-101X	MG RESISTOR	100Ω 1/16W J		K1254	QQR0582-001Z	FERRITE BEADS		
R1854	NRSA63J-101X	MG RESISTOR	100Ω 1/16W J		K1401	QQR0582-001Z	FERRITE BEADS		
R1855	NRSA63J-153X	MG RESISTOR	15kΩ 1/16W J		K1701	QQR0582-001Z	FERRITE BEADS		
R1856	NRSA63J-101X	MG RESISTOR	100Ω 1/16W J		K1702	QQR0582-001Z	FERRITE BEADS		
R1857	NRSA63J-103X	MG RESISTOR	10kΩ 1/16W J		K1901	QQR0582-001Z	FERRITE BEADS		
R1858	NRSA63J-101X	MG RESISTOR	100Ω 1/16W J		K1902	QQR0582-001Z	FERRITE BEADS		
R1859	NRSA63J-101X	MG RESISTOR	100Ω 1/16W J		K1903	QQR0582-001Z	FERRITE BEADS		
R1860	NRSA63J-101X	MG RESISTOR	100Ω 1/16W J		K1904	QQR0582-001Z	FERRITE BEADS		
R1861	NRSA63J-101X	MG RESISTOR	100Ω 1/16W J		K1921	QQR0582-001Z	FERRITE BEADS		
R1862	NRSA63J-104X	MG RESISTOR	100kΩ 1/16W J		K1922	QQR0582-001Z	FERRITE BEADS		
R1863	NRSA63J-473X	MG RESISTOR	47kΩ 1/16W J		K1923	QQR0582-001Z	FERRITE BEADS		
△R1901	QRF074K-R47	UNF WWW RESISTOR	0.47Ω 7W K		△LF1901	QQR0527-003	LINE FILTER		
R1902	QRE121J-473Y	C RESISTOR	47kΩ 1/2W J		△RY1901	QSK0085-001	RELAY		
R1903	QRE121J-473Y	C RESISTOR	47kΩ 1/2W J		S1401	QSL4A13-C02	LEVER SWITCH	V. CENTER	
R1904	QRT029J-R22	MF RESISTOR	0.22Ω 2W J		S1751	QSW0619-003Z	TACT SWITCH	POWER	
R1905	QRT029J-R22	MF RESISTOR	0.22Ω 2W J		S1752	QSW0619-003Z	TACT SWITCH	VOL +	
R1906	QRE121J-2R2Y	C RESISTOR	2.2Ω 1/2W J		S1753	QSW0619-003Z	TACT SWITCH	VOL -	
R1907	QRE121J-472Y	C RESISTOR	4.7kΩ 1/2W J		S1754	QSW0619-003Z	TACT SWITCH	CH +	
R1908	QRK126J-681X	UNF C RESISTOR	680Ω 1/2W J		S1755	QSW0619-003Z	TACT SWITCH	CH-	
R1910	QRE121J-684Y	C RESISTOR	680kΩ 1/2W J		S1756	QSW0619-003Z	TACT SWITCH	MENU	
R1911	QRG01GJ-470	OMF RESISTOR	47Ω 1W J		SF1101	QAX0723-001	SAW FILTER		
R1922	NRSA63J-102X	MG RESISTOR	1kΩ 1/16W J		△SK1351	QNZ0536-001	CRT SOCKET		
R1923	NRSA63J-473X	MG RESISTOR	47kΩ 1/16W J		△TH1901	QAD0129-3R0	P THERMISTOR	3Ω	
R1924	QRX01GJ-1R0	MF RESISTOR	1Ω 1W J		△TU1001	QAU0275-002	TUNER		
R1925	QRX01GJ-1R0	MF RESISTOR	1Ω 1W J		△VA1901	ERZV10V621CS	ZNR		
R1926	QRT029J-1R2	MF RESISTOR	1.2Ω 2W J		W1001	NRSA63J-0R0X	MG RESISTOR	0Ω 1/16W J	
R1927	QRT029J-1R2	MF RESISTOR	1.2Ω 2W J		W1002	NRSA63J-0R0X	MG RESISTOR	0Ω 1/16W J	
R1928	QRE121J-272Y	C RESISTOR	2.7kΩ 1/2W J		W1412	NRSA63J-0R0X	MG RESISTOR	0Ω 1/16W J	
R1929	QRE121J-223Y	C RESISTOR	22kΩ 1/2W J		W1728	NRSA63J-0R0X	MG RESISTOR	0Ω 1/16W J	
R1930	QRE121J-473Y	C RESISTOR	47kΩ 1/2W J		W1729	NRSA63J-0R0X	MG RESISTOR	0Ω 1/16W J	
R1932	NRSA63J-123X	MG RESISTOR	12kΩ 1/16W J		W1801	NRSA63J-0R0X	MG RESISTOR	0Ω 1/16W J	
R1933	NRSA63J-123X	MG RESISTOR	12kΩ 1/16W J		W1802	NRSA63J-0R0X	MG RESISTOR	0Ω 1/16W J	
R1934	NRSA63J-273X	MG RESISTOR	27kΩ 1/16W J		W1815	NRSA63J-0R0X	MG RESISTOR	0Ω 1/16W J	
R1935	NRSA63J-333X	MG RESISTOR	33kΩ 1/16W J		W1836	NRSA63J-0R0X	MG RESISTOR	0Ω 1/16W J	
R1936	QRE121J-103Y	C RESISTOR	10kΩ 1/2W J		X1701	QAX0717-001Z	CRYSTAL	8.000MHz	
R1938	QRE121J-103Y	C RESISTOR	10kΩ 1/2W J		Y1251	NRSA63J-0R0X	MG RESISTOR	0Ω 1/16W J	
R1939	QRE121J-103Y	C RESISTOR	10kΩ 1/2W J		Y1501	NRSA63J-0R0X	MG RESISTOR	0Ω 1/16W J	
R1941	QRG029J-180	OMF RESISTOR	18Ω 2W J		Y1601	NRSA63J-0R0X	MG RESISTOR	0Ω 1/16W J	
R1942	QRE121J-5R6Y	C RESISTOR	5.6Ω 1/2W J		Y1602	NRSA63J-0R0X	MG RESISTOR	0Ω 1/16W J	
R1943	QRE121J-820Y	C RESISTOR	82Ω 1/2W J		Y1605	NRSA63J-0R0X	MG RESISTOR	0Ω 1/16W J	
△R1991	QRZ9041-275	C RESISTOR	2.7MΩ 1/2W K		Y1854	NRSA63J-0R0X	MG RESISTOR	0Ω 1/16W J	
L1101	QQLZ014-R39	COIL	0.39uH 100mA L						
L1131	QQL244K-220Z	COIL	22uH K						
L1161	QQL244K-220Z	COIL	22uH K						
L1232	QQL244K-560Z	COIL	56uH K						
L1251	QQL244K-4R7Z	COIL	4.7uH K						
L1281	QQL244K-150Z	COIL	15uH K						
L1291	QQL244K-150Z	COIL	15uH K						
L1341	QQL03BJ-390Z	P COIL	39uH J						
L1521	QQR1027-004	LINEARITY COIL							
L1921	QQL26AK-470Z	COIL	47uH K						
L1922	QQL26AK-470Z	COIL	47uH K						
T1111	QQR0907-001	IFT							
T1501	CE42034-002	HOR DRIVE TRANS							
△T1901	QQT0355-001	POWER TRANSF							
△T1921	QQS0158-001	SW TRANSF							
CF1001	QAX0349-001	C TRAP							

[AV-27432/sA]
MAIN PW BOARD ASS'Y (SFE-1029A-M2)

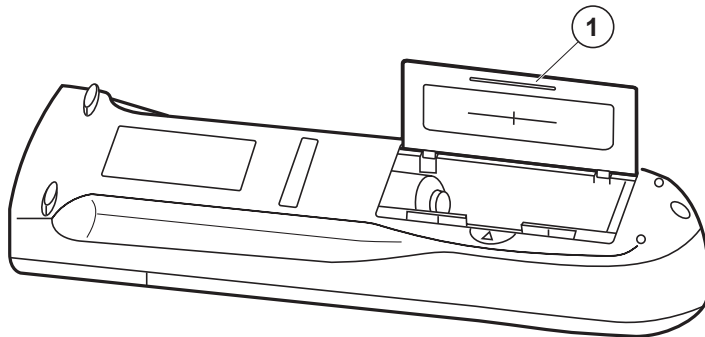
△Ref No.	Part No.	Part Name	Description	Local
IC1101	M52342SP	IC		
IC1201	TM8812CPDNG4N35	IC(MCU)		
IC1251	TC90A49P	IC		
△IC1421	AN5522	IC		
△IC1602	LA4446	IC		
IC1603	CXA2134Q-X	IC		
IC1702	AT24WC-27430R	IC	(SERVICE)	
IC1703	S-80840CNY-T	IC		
IC1704	AN78L05-T	IC		
IC1751	GP1UM281QK	IR DETECT UNIT		
IC1851	TA1218AN	IC		
IC1901	STR-G5624A/F8	IC		
IC1921	AN7809F	IC		
IC1922	UPC7805AHF	IC		
Q1001	UN2212-X	DIGI TRANSISTOR		
Q1101	2SC5083/L-P/-T	TRANSISTOR		
Q1131	2SB709A/QR/-X	TRANSISTOR		
Q1161	2SD601A/QR/-X	TRANSISTOR		
Q1211	2SD601A/QR/-X	TRANSISTOR		
Q1232	2SD601A/QR/-X	TRANSISTOR		
Q1233	2SD601A/QR/-X	TRANSISTOR		
Q1251	2SD601A/QR/-X	TRANSISTOR		
Q1252	2SD601A/QR/-X	TRANSISTOR		
Q1281	2SB709A/QR/-X	TRANSISTOR		
Q1282	2SD601A/QR/-X	TRANSISTOR		
Q1283	2SB709A/QR/-X	TRANSISTOR		
Q1291	2SB709A/QR/-X	TRANSISTOR		
Q1292	2SD601A/QR/-X	TRANSISTOR		
Q1293	2SB709A/QR/-X	TRANSISTOR		
Q1301	2SC4544-LB	POW TRANSISTOR		
Q1311	2SC4544-LB	POW TRANSISTOR		
Q1321	2SC4544-LB	POW TRANSISTOR		
Q1331	2SD601A/QR/-X	TRANSISTOR		
Q1332	2SD601A/QR/-X	TRANSISTOR		
Q1352	2SD601A/QR/-X	TRANSISTOR		
Q1501	2SC4212/Z1/	TRANSISTOR		
△Q1521	2SD2634-YD	TRANSISTOR	H OUT	
Q1602	2SD601A/QR/-X	TRANSISTOR		
Q1681	2SD601A/QR/-X	TRANSISTOR		
Q1682	2SD601A/QR/-X	TRANSISTOR		
Q1683	2SD601A/QR/-X	TRANSISTOR		
Q1684	2SD601A/QR/-X	TRANSISTOR		
Q1701	2SB709A/QR/-X	TRANSISTOR		
Q1751	UN2112-X	DIGI TRANSISTOR		
Q1851	2SB709A/QR/-X	TRANSISTOR		
Q1921	2SD1383K/AB/-X	TRANSISTOR		
Q1922	2SC2785/JH/-T	SI TRANSISTOR		
Q1923	2SA1037AK/QR/-X	TRANSISTOR		
Q1924	2SA1208/ST/Z1-T	TRANSISTOR		
D1331	1SS133-T2	SI DIODE		
D1352	MTZJ9.1C-T2	Z.DIODE I M		
D1353	1SS133-T2	SI DIODE		
D1365	1SS133-T2	SI DIODE		
D1366	1SS133-T2	SI DIODE		
D1367	1SS133-T2	SI DIODE		
D1368	MTZJ5.1B-T2	Z DIODE		
D1369	MTZJ5.1B-T2	Z DIODE		
D1370	MTZJ5.1B-T2	Z DIODE		
D1401	1SR35-400A-T2	SI DIODE		
D1402	MTZJ75-T2	Z DIODE		
D1501	MTZJ3.3A-T2	Z DIODE		
D1521	1SR35-400A-T2	SI DIODE		
D1522	RH1S-T3	SI DIODE		
D1523	1SR35-400A-T2	SI DIODE		
D1524	RGPI0J-5025-T3	SI DIODE		
D1525	MTZJ5.6A-T2	Z DIODE		
D1526	MA4068N/Z1/-T2	Z DIODE		
D1661	MTZJ9.1C-T2	Z.DIODE I M		
D1681	MTZJ9.1C-T2	Z.DIODE I M		
D1682	MTZJ9.1C-T2	Z.DIODE I M		
D1683	MTZJ9.1C-T2	Z.DIODE I M		
D1684	MTZJ9.1C-T2	Z.DIODE I M		
D1685	MTZJ9.1C-T2	Z.DIODE I M		
D1686	MTZJ9.1C-T2	Z.DIODE I M		
D1687	MTZJ9.1C-T2	Z.DIODE I M		
D1688	MTZJ9.1C-T2	Z.DIODE I M		
D1705	1SS133-T2	SI DIODE		
D1751	LG22440	LED	POWER / ON TIMER	
D1801	MTZJ9.1C-T2	Z.DIODE I M		
D1802	MTZJ9.1C-T2	Z.DIODE I M		
D1803	MTZJ9.1C-T2	Z.DIODE I M		
D1804	MTZJ9.1C-T2	Z.DIODE I M		
D1807	MTZJ9.1C-T2	Z.DIODE I M		
D1831	MTZJ9.1C-T2	Z.DIODE I M		
D1832	MTZJ9.1C-T2	Z DIODE		
D1833	MTZJ9.1C-T2	Z DIODE		
D1834	MTZJ9.1C-T2	Z.DIODE I M		
△D1901	GSIB460-S1	BRIDGE DIODE		
D1902	RGPI0J-5025-T3	SI DIODE		
D1903	RGPI0J-5025-T3	SI DIODE		
D1904	RGPI0J-5025-T3	SI DIODE		
D1905	SARS01-T2	SI DIODE		
D1907	MA700A-T2	SB DIODE		
D1908	MTZJ15C-T2	Z DIODE		
D1921	1SR35-400A-T2	SI DIODE		
D1922	1SR35-400A-T2	SI DIODE		
D1923	1SR35-400A-T2	SI DIODE		
D1924	1SR35-400A-T2	SI DIODE		
D1925	1SS133-T2	SI DIODE		
D1926	RU3AM-LFC4	SI DIODE		
D1927	RU3YX-LFC4	SI DIODE		
D1928	RU3YX-LFC4	SI DIODE		
D1929	MTZJ7.5A-T2	Z DIODE		
D1930	1SS133-T2	SI DIODE		
D1931	1SS133-T2	SI DIODE		
D1932	MTZJ33B-T2	Z DIODE		
D1933	1N4002G-T2	SI DIODE		
C1001	QETN1HM-475Z	E CAPACITOR	4.7uF 50V M	
C1002	NCB31HK-103X	C CAPACITOR	0.01uF 50V K	
C1003	QETN1VM-476Z	E CAPACITOR	47uF 35V M	
C1004	QETN1AM-477Z	E CAPACITOR	470uF 10V M	
C1005	NCB31HK-103X	C CAPACITOR	0.01uF 50V K	
C1101	NCB31HK-103X	C CAPACITOR	0.01uF 50V K	
C1102	NCB31HK-103X	C CAPACITOR	0.01uF 50V K	
C1104	NCB31HK-103X	C CAPACITOR	0.01uF 50V K	
C1105	NCB31HK-103X	C CAPACITOR	0.01uF 50V K	
C1106	QETN1EM-476Z	E CAPACITOR	47uF 25V M	
C1107	NCB31HK-103X	C CAPACITOR	0.01uF 50V K	
C1113	NCB31HK-103X	C CAPACITOR	0.01uF 50V K	
C1114	NCB31HK-103X	C CAPACITOR	0.01uF 50V K	
C1116	NCB31CK-224X	C CAPACITOR	0.22uF 16V K	
C1117	QETN1EM-476Z	E CAPACITOR	47uF 25V M	
C1118	NCB31HK-103X	C CAPACITOR	0.01uF 50V K	
C1119	NDC31HJ-681X	C CAPACITOR	680pF 50V J	
C1120	QETN1HM-474Z	E CAPACITOR	0.47uF 50V M	
C1124	NCB31HK-103X	C CAPACITOR	0.01uF 50V K	
C1131	NCB31HK-103X	C CAPACITOR	0.01uF 50V K	
C1161	QETN1HM-106Z	E CAPACITOR	10uF 50V M	
C1162	QETN1HM-106Z	E CAPACITOR	10uF 50V M	
C1163	NDC31HJ-470X	C CAPACITOR	47pF 50V J	
C1164	NDC31HJ-470X	C CAPACITOR	47pF 50V J	
C1165	NCB31HK-103X	C CAPACITOR	0.01uF 50V K	
C1166	NCB31HK-103X	C CAPACITOR	0.01uF 50V K	
C1202	QETN1HM-105Z	E CAPACITOR	1uF 50V M	
C1203	NCB31HK-152X	C CAPACITOR	1500pF 50V K	
C1211	QETN1HM-476Z	E CAPACITOR	47uF 50V M	
C1221	QETN1HM-106Z	E CAPACITOR	10uF 50V M	
C1222	NCB31HK-104X	C CAPACITOR	0.1uF 50V K	
C1223	NCB31HK-103X	C CAPACITOR	0.01uF 50V K	
C1233	NDC31HJ-680X	C CAPACITOR	68pF 50V J	
C1237	NCB31HK-103X	C CAPACITOR	0.01uF 50V K	
C1241	NCB31HK-103X	C CAPACITOR	0.01uF 50V K	
C1243	QETN1EM-476Z	E CAPACITOR	47uF 25V M	
C1244	NCB31HK-103X	C CAPACITOR	0.01uF 50V K	
C1247	QETN1HM-225Z	E CAPACITOR	2.2uF 50V M	
C1252	NDC31HJ-101X	C CAPACITOR	100pF 50V J	
C1253	NDC31HJ-470X	C CAPACITOR	47pF 50V J	
C1254	NDC31HJ-181X	C CAPACITOR	180pF 50V J	
C1261	NCB31HK-103X	C CAPACITOR	0.01uF 50V K	
C1262	QETN1EM-476Z	E CAPACITOR	47uF 25V M	
C1263	NCB31HK-103X	C CAPACITOR	0.01uF 50V K	
C1264	NCB31HK-103X	C CAPACITOR	0.01uF 50V K	
C1265	QETN1HM-474Z	E CAPACITOR	0.47uF 50V M	
C1266	NCB31HK-103X	C CAPACITOR	0.01uF 50V K	
C1267	NCB31HK-103X	C CAPACITOR	0.01uF 50V K	
C1268	QETN1EM-476Z	E CAPACITOR	47uF 25V M	
C1269	NCB31HK-103X	C CAPACITOR	0.01uF 50V K	
C1270	QETN1EM-476Z	E CAPACITOR	47uF 25V M	
C1272	NCB31HK-103X	C CAPACITOR	0.01uF 50V K	
C1273	NCB31HK-103X	C CAPACITOR	0.01uF 50V K	
C1274	NDC31HJ-181X	C CAPACITOR	180pF 50V J	
C1275	QETN1EM-476Z	E CAPACITOR	47uF 25V M	
C1276	NCB31HK-103X	C CAPACITOR	0.01uF 50V K	
C1277	NCB31HK-103X	C CAPACITOR	0.01uF 50V K	
C1278	NCB31HK-103X	C CAPACITOR	0.01uF 50V K	
C1283	NDC31HJ-330X	C CAPACITOR	33pF 50V J	
C1293	NDC31HJ-470X	C CAPACITOR	47pF 50V J	

△Ref No.	Part No.	Part Name	Description	Local	△Ref No.	Part No.	Part Name	Description	Local
C1302	NDC31HJ-331X	C CAPACITOR	330pF 50V J		C1688	QETN1HM-106Z	E CAPACITOR	10uF 50V M	
C1312	NDC31HJ-271X	C CAPACITOR	270pF 50V J		C1689	QETN1CM-336Z	E CAPACITOR	33uF 16V M	
C1322	NDC31HJ-271X	C CAPACITOR	270pF 50V J		C1701	NCB31HK-102X	C CAPACITOR	1000pF 50V K	
C1331	QETN1HM-105Z	E CAPACITOR	1uF 50V M		C1702	QETN1HM-106Z	E CAPACITOR	10uF 50V M	
C1341	QETN1CM-107Z	E CAPACITOR	100uF 16V M		C1703	QETN1HM-106Z	E CAPACITOR	10uF 50V M	
△C1343	QCZ0121-102	C CAPACITOR	1000pF 3KV		C1704	QETN1EM-476Z	E CAPACITOR	47uF 25V M	
C1352	QETN1EM-476Z	E CAPACITOR	47uF 25V M		C1705	NCB31HK-103X	C CAPACITOR	0.01uF 50V K	
C1354	NCB31HK-103X	C CAPACITOR	0.01uF 50V K		C1708	NDC31HJ-220X	C CAPACITOR	22pF 50V J	
C1361	QETN1EM-476Z	E CAPACITOR	47uF 25V M		C1709	NDC31HJ-220X	C CAPACITOR	22pF 50V J	
C1362	NCB31HK-103X	C CAPACITOR	0.01uF 50V K		C1711	QETN1EM-476Z	E CAPACITOR	47uF 25V M	
C1401	QFV1HJ-474Z	MF CAPACITOR	0.47uF 50V J		C1712	NCB31HK-103X	C CAPACITOR	0.01uF 50V K	
C1402	NCB31HK-102X	C CAPACITOR	1000pF 50V K		C1716	QETN1HM-106Z	E CAPACITOR	10uF 50V M	
C1403	QENC1CM-106Z	BP E CAPACITOR	10uF 16V M		C1751	QETN1EM-476Z	E CAPACITOR	47uF 25V M	
C1404	NCB31HK-222X	C CAPACITOR	2200pF 50V K		C1801	QETN1HM-106Z	E CAPACITOR	10uF 50V M	
C1405	QETN1HM-106Z	E CAPACITOR	10uF 50V M		C1802	QETN1HM-106Z	E CAPACITOR	10uF 50V M	
C1406	NCB31HK-102X	C CAPACITOR	1000pF 50V K		C1803	QETN1HM-105Z	E CAPACITOR	1uF 50V M	
C1407	QETN1VM-107Z	E CAPACITOR	100uF 35V M		C1804	QETN1HM-106Z	E CAPACITOR	10uF 50V M	
C1408	QCS32HJ-100Z	C CAPACITOR	10pF 500V J		C1807	NCB31HK-103X	C CAPACITOR	0.01uF 50V K	
C1409	QFLC2AK-104Z	M CAPACITOR	0.1uF 100V K		C1815	NCB31HK-103X	C CAPACITOR	0.01uF 50V K	
C1410	QFLC2AK-104Z	M CAPACITOR	0.1uF 100V K		C1831	NCB31HK-104X	C CAPACITOR	0.1uF 50V K	
C1411	QETM1VM-228	E CAPACITOR	2200uF 35V M		C1832	NCB31HK-104X	C CAPACITOR	0.1uF 50V K	
C1412	QETN1HM-225Z	E CAPACITOR	2.2uF 50V M		C1833	NCB31HK-104X	C CAPACITOR	0.1uF 50V K	
C1501	QETN1EM-476Z	E CAPACITOR	47uF 25V M		C1834	QETN1HM-106Z	E CAPACITOR	10uF 50V M	
C1502	NCB31HK-103X	C CAPACITOR	0.01uF 50V K		C1851	NCB31HK-103X	C CAPACITOR	0.01uF 50V K	
C1503	NCB31HK-103X	C CAPACITOR	0.01uF 50V K		C1852	NCB31HK-103X	C CAPACITOR	0.01uF 50V K	
C1504	QETN1HM-225Z	E CAPACITOR	2.2uF 50V M		C1853	QETN1HM-106Z	E CAPACITOR	10uF 50V M	
C1505	NCB31AK-474X	C CAPACITOR	0.47uF 10V K		C1854	NCB31HK-103X	C CAPACITOR	0.01uF 50V K	
C1506	QETN1EM-476Z	E CAPACITOR	47uF 25V M		C1855	NCB31HK-103X	C CAPACITOR	0.01uF 50V K	
C1507	NCB31HK-103X	C CAPACITOR	0.01uF 50V K		C1856	NCB31HK-103X	C CAPACITOR	0.01uF 50V K	
C1508	QCB32HK-151Z	C CAPACITOR	150pF 500V K		C1857	QETN1HM-106Z	E CAPACITOR	10uF 50V M	
C1509	QCB32HK-331Z	C CAPACITOR	330pF 500V K		C1858	NCB31HK-103X	C CAPACITOR	0.01uF 50V K	
C1510	QETN2EM-225Z	E CAPACITOR	2.2uF 250V M		C1859	NCB31HK-103X	C CAPACITOR	0.01uF 50V K	
C1522	QFZ0198-133	MPP CAPACITOR	0.013uF 1.5KV		C1860	NCB31HK-103X	C CAPACITOR	0.01uF 50V K	
C1523	QFZ0199-564	MPP CAPACITOR	0.56uF 250V M		C1861	QETN1EM-476Z	E CAPACITOR	47uF 25V M	
C1524	QCB32HK-561Z	C CAPACITOR	560pF 500V K		C1862	QETN1HM-106Z	E CAPACITOR	10uF 50V M	
C1525	QEZO203-107	E CAPACITOR	100uF 160V M		△C1901	QFZ9072-104	MM CAPACITOR	0.1uF AC250V K	
C1526	QFLC1HJ-823Z	M CAPACITOR	0.082uF 50V J		△C1902	QFZ9072-104	MM CAPACITOR	0.1uF AC250V K	
C1527	QETN2EM-106Z	E CAPACITOR	10uF 250V M		C1903	QEZO561-477	E CAPACITOR	470uF 200V	
C1528	QETN1VM-108Z	E CAPACITOR	1000uF 35V M		△C1904	QCZ9054-102	C CAPACITOR	1000pF AC250V Z	
C1529	QETN1VM-476Z	E CAPACITOR	47uF 35V M		△C1905	QCZ9054-102	C CAPACITOR	1000pF AC250V Z	
C1530	QFLC2AK-104Z	M CAPACITOR	0.1uF 100V K		C1907	QETN1HM-476Z	E CAPACITOR	47uF 50V M	
C1614	QETN1CM-477Z	E CAPACITOR	470uF 16V M		C1908	QCZ0340-33Z	C CAPACITOR	3300pF 2kV K	
C1616	QETN1HM-475Z	E CAPACITOR	4.7uF 50V M		C1909	NCB31HK-182X	C CAPACITOR	1800pF 50V K	
C1617	QETN1CM-227Z	E CAPACITOR	220uF 16V M		C1910	NDC31HJ-471X	C CAPACITOR	470pF 50V J	
C1618	QETN1CM-107Z	E CAPACITOR	100uF 16V M		C1911	QFP32GJ-103Z	PP CAPACITOR	0.01uF 400V J	
C1619	QETN1CM-477Z	E CAPACITOR	470uF 16V M		C1921	QETN1EM-477Z	E CAPACITOR	470uF 25V M	
C1620	NCF31CZ-104X	C CAPACITOR	0.1uF 16V Z		C1923	QEZO203-107	E CAPACITOR	100uF 160V M	
C1622	QETN1HM-475Z	E CAPACITOR	4.7uF 50V M		C1924	QETN2CM-476Z	E CAPACITOR	47uF 160V M	
C1623	QETN1CM-227Z	E CAPACITOR	220uF 16V M		C1925	QETN1CM-108Z	E CAPACITOR	1000uF 16V M	
C1624	QETN1CM-107Z	E CAPACITOR	100uF 16V M		C1926	QETN1CM-107Z	E CAPACITOR	100uF 16V M	
C1625	QETN1CM-477Z	E CAPACITOR	470uF 16V M		C1927	QETN1CM-477Z	E CAPACITOR	470uF 16V M	
C1626	NCF31CZ-104X	C CAPACITOR	0.1uF 16V Z		C1929	QCZ0340-102	C CAPACITOR	1000pF 2kV K	
C1627	QETN1CM-227Z	E CAPACITOR	220uF 16V M		C1930	QCB32HK-102Z	C CAPACITOR	1000pF 500V K	
C1651	QENC1HM-475Z	BP E CAPACITOR	4.7uF 50V M		C1931	QCB32HK-102Z	C CAPACITOR	1000pF 500V K	
C1652	NCB31HK-104X	C CAPACITOR	0.1uF 50V K		C1932	QETN0JM-107Z	E CAPACITOR	100uF 6.3V M	
C1653	QENC1HM-475Z	BP E CAPACITOR	4.7uF 50V M		C1933	QETN1VM-476Z	E CAPACITOR	47uF 35V M	
C1654	NCB31HK-562X	C CAPACITOR	5600pF 50V K		C1935	QETN1CM-476Z	E CAPACITOR	47uF 16V M	
C1655	NCB31HK-123X	C CAPACITOR	0.012uF 50V K		C1940	NCB31HK-103X	C CAPACITOR	0.01uF 50V K	
C1656	QETN1HM-105Z	E CAPACITOR	1uF 50V M		C1941	QETN1CM-107Z	E CAPACITOR	100uF 16V M	
C1657	QETN1HM-106Z	E CAPACITOR	10uF 50V M		C1942	QETN1CM-107Z	E CAPACITOR	100uF 16V M	
C1658	QETN1HM-106Z	E CAPACITOR	10uF 50V M		C1943	NCB31HK-103X	C CAPACITOR	0.01uF 50V K	
C1659	QETN1HM-475Z	E CAPACITOR	4.7uF 50V M		C1944	QETN1CM-107Z	E CAPACITOR	100uF 16V M	
C1660	QETN1EM-476Z	E CAPACITOR	47uF 25V M		C1945	NCB31HK-103X	C CAPACITOR	0.01uF 50V K	
C1661	NCB31HK-103X	C CAPACITOR	0.01uF 50V K		△C1991	QCZ9074-103	C CAPACITOR	0.01uF 250V	
C1662	QENC1HM-475Z	BP E CAPACITOR	4.7uF 50V M		△C1992	QCZ9074-103	C CAPACITOR	0.01uF 250V	
C1663	QETN1HM-475Z	E CAPACITOR	4.7uF 50V M						
C1664	QENC1HM-475Z	BP E CAPACITOR	4.7uF 50V M		R1003	NRSA63J-221X	MG RESISTOR	220Ω 1/16W J	
C1665	NCB31HK-272X	C CAPACITOR	2700pF 50V K		R1004	NRSA63J-221X	MG RESISTOR	220Ω 1/16W J	
C1666	NCB31HK-473X	C CAPACITOR	0.047uF 50V K		R1005	NRSA63J-0R0X	MG RESISTOR	0Ω 1/16W J	
C1667	QETN1HM-335Z	E CAPACITOR	3.3uF 50V M		R1006	NRSA63J-223X	MG RESISTOR	22kΩ 1/16W J	
C1668	QENC1HM-475Z	BP E CAPACITOR	4.7uF 50V M		R1008	NRSA63J-820X	MG RESISTOR	82Ω 1/16W J	
C1669	QETN1HM-106Z	E CAPACITOR	10uF 50V M		R1101	NRSA63J-562X	MG RESISTOR	5.6kΩ 1/16W J	
C1670	QETN1HM-105Z	E CAPACITOR	1uF 50V M		R1102	NRSA63J-182X	MG RESISTOR	1.8kΩ 1/16W J	
C1671	QETN1HM-106Z	E CAPACITOR	10uF 50V M		R1103	QRE121J-101Y	C RESISTOR	100Ω 1/2W J	
C1672	QETN1HM-106Z	E CAPACITOR	10uF 50V M		R1104	NRSA63J-180X	MG RESISTOR	18Ω 1/16W J	
C1673	NCB31HK-223X	C CAPACITOR	0.022uF 50V K		R1105	NRSA63J-270X	MG RESISTOR	27Ω 1/16W J	
C1674	NCB31HK-472X	C CAPACITOR	4700pF 50V K		R1111	NRSA63J-394X	MG RESISTOR	390kΩ 1/16W J	
C1675	QENC1HM-475Z	BP E CAPACITOR	4.7uF 50V M		R1112	NRSA63J-334X	MG RESISTOR	330kΩ 1/16W J	
C1676	NCB31HK-104X	C CAPACITOR	0.1uF 50V K		R1113	NRSA63J-101X	MG RESISTOR	100Ω 1/16W J	
C1677	NCB31HK-472X	C CAPACITOR	4700pF 50V K		R1115	NRSA63J-101X	MG RESISTOR	100Ω 1/16W J	
C1681	QETN1HM-106Z	E CAPACITOR	10uF 50V M		R1116	NRSA63J-680X	MG RESISTOR	68Ω 1/16W J	
C1682	QETN1HM-106Z	E CAPACITOR	10uF 50V M		R1117	NRSA63J-273X	MG RESISTOR	27kΩ 1/16W J	
C1683	QETN1HM-106Z	E CAPACITOR	10uF 50V M		R1131	NRSA63J-102X	MG RESISTOR	1kΩ 1/16W J	
C1684	QETN1HM-106Z	E CAPACITOR	10uF 50V M		R1132	NRSA63J-221X	MG RESISTOR	220Ω 1/16W J	
C1685	QETN1HM-106Z	E CAPACITOR	10uF 50V M		R1133	NRSA63J-821X	MG RESISTOR	820Ω 1/16W J	
C1686	QETN1HM-106Z	E CAPACITOR	10uF 50V M		R1134	NRSA63J-681X	MG RESISTOR	680Ω 1/16W J	
C1687	QETN1HM-106Z	E CAPACITOR	10uF 50V M		R1135	NRSA63J-102X	MG RESISTOR	1kΩ 1/16W J	

△Ref No.	Part No.	Part Name	Description	Local	△Ref No.	Part No.	Part Name	Description	Local
R1161	NRSA63J-332X	MG RESISTOR	3.3kΩ 1/16W J		R1507	NRSA63J-561X	MG RESISTOR	560Ω 1/16W J	
R1163	NRSA63J-223X	MG RESISTOR	22kΩ 1/16W J		R1508	NRSA63J-101X	MG RESISTOR	100Ω 1/16W J	
R1164	NRSA63J-102X	MG RESISTOR	1kΩ 1/16W J		R1509	NRSA63J-271X	MG RESISTOR	270Ω 1/16W J	
R1165	NRSA63J-223X	MG RESISTOR	22kΩ 1/16W J		R1510	QRE121J-103Y	C RESISTOR	10kΩ 1/2W J	
R1166	NRSA63J-103X	MG RESISTOR	10kΩ 1/16W J		R1511	QRG029J-182	OMF RESISTOR	1.8kΩ 2W J	
R1167	NRSA63J-102X	MG RESISTOR	1kΩ 1/16W J		R1512	QRG029J-182	OMF RESISTOR	1.8kΩ 2W J	
R1168	NRSA63J-101X	MG RESISTOR	100Ω 1/16W J		R1521	QRE121J-220Y	C RESISTOR	22Ω 1/2W J	
R1169	NRSA63J-561X	MG RESISTOR	560Ω 1/16W J		R1522	QRE121J-681Y	C RESISTOR	680Ω 1/2W J	
R1171	NRSA63J-103X	MG RESISTOR	10kΩ 1/16W J		R1523	QRL039J-152	OMF RESISTOR	1.5kΩ 3W J	
R1201	NRSA63J-223X	MG RESISTOR	22kΩ 1/16W J		R1524	QRE121J-224Y	C RESISTOR	220kΩ 1/2W J	
R1212	NRSA63J-272X	MG RESISTOR	2.7kΩ 1/16W J		R1525	QRE121J-184Y	C RESISTOR	180kΩ 1/2W J	
R1215	NRSA63J-562X	MG RESISTOR	5.6kΩ 1/16W J		R1526	QRK129J-150	UNF C RESISTOR	15Ω 1/2W J	
R1216	NRSA63J-562X	MG RESISTOR	5.6kΩ 1/16W J		R1527	QRX01GJ-1R0	MF RESISTOR	1Ω 1W J	
R1217	NRSA63J-102X	MG RESISTOR	1kΩ 1/16W J		R1528	QRE121J-103Y	C RESISTOR	10kΩ 1/2W J	
R1227	NRSA63J-104X	MG RESISTOR	100kΩ 1/16W J		R1529	QRK126J-4R7X	UNF C RESISTOR	4.7Ω 1/2W J	
R1231	NRSA63J-182X	MG RESISTOR	1.8kΩ 1/16W J		R1530	QRX029J-1R5	MF RESISTOR	1.5Ω 2W J	
R1232	NRSA63J-392X	MG RESISTOR	3.9kΩ 1/16W J		R1531	NRZ0032-7151X	CMF RESISTOR	7.15kΩ	
R1233	NRSA63J-332X	MG RESISTOR	3.3kΩ 1/16W J		R1533	NRZ0032-2941X	CMF RESISTOR	2.94kΩ	
R1234	NRSA63J-152X	MG RESISTOR	1.5kΩ 1/16W J		R1541	QRE121J-683Y	C RESISTOR	68kΩ 1/2W J	
R1235	NRSA63J-102X	MG RESISTOR	1kΩ 1/16W J		R1614	QRL039J-100	OMF RESISTOR	10Ω 3W J	
R1251	NRSA63J-332X	MG RESISTOR	3.3kΩ 1/16W J		R1615	NRSA63J-123X	MG RESISTOR	12kΩ 1/16W J	
R1252	NRSA63J-103X	MG RESISTOR	10kΩ 1/16W J		R1616	NRSA63J-123X	MG RESISTOR	12kΩ 1/16W J	
R1253	NRSA63J-102X	MG RESISTOR	1kΩ 1/16W J		R1617	NRSA63J-332X	MG RESISTOR	3.3kΩ 1/16W J	
R1254	NRSA63J-181X	MG RESISTOR	180Ω 1/16W J		R1618	NRSA63J-332X	MG RESISTOR	3.3kΩ 1/16W J	
R1255	NRSA63J-152X	MG RESISTOR	1.5kΩ 1/16W J		R1619	NRSA63J-471X	MG RESISTOR	470Ω 1/16W J	
R1256	NRSA63J-152X	MG RESISTOR	1.5kΩ 1/16W J		R1620	NRSA63J-471X	MG RESISTOR	470Ω 1/16W J	
R1257	NRSA63J-222X	MG RESISTOR	2.2kΩ 1/16W J		R1621	QRE121J-4R7Y	C RESISTOR	4.7Ω 1/2W J	
R1261	NRSA63J-101X	MG RESISTOR	100Ω 1/16W J		R1622	QRE121J-4R7Y	C RESISTOR	4.7Ω 1/2W J	
R1262	NRSA63J-101X	MG RESISTOR	100Ω 1/16W J		R1625	NRSA63J-103X	MG RESISTOR	10kΩ 1/16W J	
R1263	NRSA63J-101X	MG RESISTOR	100Ω 1/16W J		R1627	NRSA63J-101X	MG RESISTOR	100Ω 1/16W J	
R1264	NRSA63J-821X	MG RESISTOR	820Ω 1/16W J		R1631	QRX029J-3R3	MF RESISTOR	3.3Ω 2W J	
R1282	NRSA63J-222X	MG RESISTOR	2.2kΩ 1/16W J		R1651	NRSA63J-101X	MG RESISTOR	100Ω 1/16W J	
R1283	NRSA63J-821X	MG RESISTOR	820Ω 1/16W J		R1652	NRSA63J-101X	MG RESISTOR	100Ω 1/16W J	
R1285	NRSA63J-331X	MG RESISTOR	330Ω 1/16W J		R1653	NRSA63J-105X	MG RESISTOR	1MΩ 1/16W J	
R1286	NRSA63J-102X	MG RESISTOR	1kΩ 1/16W J		R1654	NRSA63J-104X	MG RESISTOR	100kΩ 1/16W J	
R1287	NRSA63J-102X	MG RESISTOR	1kΩ 1/16W J		R1655	NRSA63J-682X	MG RESISTOR	6.8kΩ 1/16W J	
R1288	NRSA63J-0R0X	MG RESISTOR	0Ω 1/16W J		R1656	NRSA63J-123X	MG RESISTOR	12kΩ 1/16W J	
R1292	NRSA63J-222X	MG RESISTOR	2.2kΩ 1/16W J		R1657	NRSA63F-623X	MG RESISTOR	62kΩ 1/16W F	
R1293	NRSA63J-471X	MG RESISTOR	470Ω 1/16W J		R1658	NRSA63J-332X	MG RESISTOR	3.3kΩ 1/16W J	
R1295	NRSA63J-331X	MG RESISTOR	330Ω 1/16W J		R1659	NRSA63J-302X	MG RESISTOR	3kΩ 1/16W J	
R1296	NRSA63J-102X	MG RESISTOR	1kΩ 1/16W J		R1661	NRSA63J-392X	MG RESISTOR	3.9kΩ 1/16W J	
R1297	NRSA63J-102X	MG RESISTOR	1kΩ 1/16W J		R1662	NRSA63J-681X	MG RESISTOR	680Ω 1/16W J	
R1298	NRSA63J-0R0X	MG RESISTOR	0Ω 1/16W J		R1663	NRSA63J-681X	MG RESISTOR	680Ω 1/16W J	
R1301	NRSA63J-151X	MG RESISTOR	150Ω 1/16W J		R1664	NRSA63J-101X	MG RESISTOR	100Ω 1/16W J	
R1302	QRL029J-123	OMF RESISTOR	12kΩ 2W J		R1665	NRSA63J-101X	MG RESISTOR	100Ω 1/16W J	
R1303	QRZ0111-152	C RESISTOR	1.5kΩ 1/2W K		R1666	NRSA63J-101X	MG RESISTOR	100Ω 1/16W J	
R1304	NRSA63J-332X	MG RESISTOR	3.3kΩ 1/16W J		R1667	NRSA63J-101X	MG RESISTOR	100Ω 1/16W J	
R1305	NRSA63J-271X	MG RESISTOR	270Ω 1/16W J		R1681	NRSA63J-681X	MG RESISTOR	680Ω 1/16W J	
R1306	NRSA63J-101X	MG RESISTOR	100Ω 1/16W J		R1682	NRSA63J-681X	MG RESISTOR	680Ω 1/16W J	
R1311	NRSA63J-151X	MG RESISTOR	150Ω 1/16W J		R1683	NRSA63J-223X	MG RESISTOR	22kΩ 1/16W J	
R1312	QRL029J-123	OMF RESISTOR	12kΩ 2W J		R1684	NRSA63J-223X	MG RESISTOR	22kΩ 1/16W J	
R1313	QRZ0111-152	C RESISTOR	1.5kΩ 1/2W K		R1685	NRSA63J-223X	MG RESISTOR	22kΩ 1/16W J	
R1314	NRSA63J-332X	MG RESISTOR	3.3kΩ 1/16W J		R1686	NRSA63J-223X	MG RESISTOR	22kΩ 1/16W J	
R1315	NRSA63J-271X	MG RESISTOR	270Ω 1/16W J		R1687	NRSA63J-221X	MG RESISTOR	220Ω 1/16W J	
R1316	NRSA63J-101X	MG RESISTOR	100Ω 1/16W J		R1688	NRSA63J-221X	MG RESISTOR	220Ω 1/16W J	
R1321	NRSA63J-151X	MG RESISTOR	150Ω 1/16W J		R1691	NRSA63J-823X	MG RESISTOR	82kΩ 1/16W J	
R1322	QRL029J-123	OMF RESISTOR	12kΩ 2W J		R1692	NRSA63J-823X	MG RESISTOR	82kΩ 1/16W J	
R1323	QRZ0111-152	C RESISTOR	1.5kΩ 1/2W K		R1701	NRSA63J-102X	MG RESISTOR	1kΩ 1/16W J	
R1324	NRSA63J-332X	MG RESISTOR	3.3kΩ 1/16W J		R1702	NRSA63J-102X	MG RESISTOR	1kΩ 1/16W J	
R1325	NRSA63J-271X	MG RESISTOR	270Ω 1/16W J		R1703	NRSA63J-103X	MG RESISTOR	10kΩ 1/16W J	
R1326	NRSA63J-101X	MG RESISTOR	100Ω 1/16W J		R1704	NRSA63J-472X	MG RESISTOR	4.7kΩ 1/16W J	
R1331	NRSA63J-223X	MG RESISTOR	22kΩ 1/16W J		R1705	NRSA63J-472X	MG RESISTOR	4.7kΩ 1/16W J	
R1332	NRSA63J-101X	MG RESISTOR	100Ω 1/16W J		R1706	NRSA63J-472X	MG RESISTOR	4.7kΩ 1/16W J	
R1333	NRSA63J-103X	MG RESISTOR	10kΩ 1/16W J		R1707	NRSA63J-103X	MG RESISTOR	10kΩ 1/16W J	
R1354	NRSA63J-331X	MG RESISTOR	330Ω 1/16W J		R1708	NRSA63J-101X	MG RESISTOR	100Ω 1/16W J	
R1356	NRSA63J-123X	MG RESISTOR	12kΩ 1/16W J		R1709	NRSA63J-101X	MG RESISTOR	100Ω 1/16W J	
R1359	NRSA63J-103X	MG RESISTOR	10kΩ 1/16W J		R1714	NRSA63J-823X	MG RESISTOR	82kΩ 1/16W J	
R1360	NRSA63J-0R0X	MG RESISTOR	0Ω 1/16W J		R1715	NRSA63J-101X	MG RESISTOR	100Ω 1/16W J	
R1364	NRSA63J-101X	MG RESISTOR	100Ω 1/16W J		R1718	NRSA63J-223X	MG RESISTOR	22kΩ 1/16W J	
R1365	NRSA63J-101X	MG RESISTOR	100Ω 1/16W J		R1720	QRJ149J-1R0	UNF C RESISTOR	1Ω 1/4W J	
R1366	NRSA63J-101X	MG RESISTOR	100Ω 1/16W J		R1721	NRSA63J-102X	MG RESISTOR	1kΩ 1/16W J	
R1401	NRSA63J-102X	MG RESISTOR	1kΩ 1/16W J		R1729	NRSA63J-223X	MG RESISTOR	22kΩ 1/16W J	
R1402	NRSA63J-472X	MG RESISTOR	4.7kΩ 1/16W J		R1731	NRSA63J-101X	MG RESISTOR	100Ω 1/16W J	
R1403	NRSA63J-103X	MG RESISTOR	10kΩ 1/16W J		R1732	NRSA63J-101X	MG RESISTOR	100Ω 1/16W J	
R1405	NRSA63J-103X	MG RESISTOR	10kΩ 1/16W J		R1733	NRSA63J-472X	MG RESISTOR	4.7kΩ 1/16W J	
R1407	QRE121J-681Y	C RESISTOR	680Ω 1/2W J		R1734	NRSA63J-472X	MG RESISTOR	4.7kΩ 1/16W J	
R1408	QRE121J-681Y	C RESISTOR	680Ω 1/2W J		R1739	NRSA63J-272X	MG RESISTOR	2.7kΩ 1/16W J	
R1409	QRX01GJ-1R0	MF RESISTOR	1Ω 1W J		R1740	NRSA63J-101X	MG RESISTOR	100Ω 1/16W J	
R1411	NRSA63J-123X	MG RESISTOR	12kΩ 1/16W J		R1751	NRSA63J-102X	MG RESISTOR	1kΩ 1/16W J	
R1412	NRSA63J-153X	MG RESISTOR	15kΩ 1/16W J		R1752	NRSA63J-102X	MG RESISTOR	1kΩ 1/16W J	
R1414	NRSA63J-103X	MG RESISTOR	10kΩ 1/16W J		R1753	NRSA63J-152X	MG RESISTOR	1.5kΩ 1/16W J	
R1416	QRE121J-102Y	C RESISTOR	1kΩ 1/2W J		R1754	NRSA63J-272X	MG RESISTOR	2.7kΩ 1/16W J	
R1501	NRSA63J-472X	MG RESISTOR	4.7kΩ 1/16W J		R1755	NRSA63J-562X	MG RESISTOR	5.6kΩ 1/16W J	
R1502	NRSA63J-681X	MG RESISTOR	680Ω 1/16W J		R1756	NRSA63J-122X	MG RESISTOR	1.2kΩ 1/16W J	
R1504	NRSA63J-392X	MG RESISTOR	3.9kΩ 1/16W J		R1757	NRSA63J-101X	MG RESISTOR	100Ω 1/16W J	
R1505	NRSA63J-154X	MG RESISTOR	150kΩ 1/16W J		R1758	NRSA63J-101X	MG RESISTOR	100Ω 1/16W J	
R1506	NRSA63J-471X	MG RESISTOR	470Ω 1/16W J		R1764	NRSA63J-471X	MG RESISTOR	470Ω 1/16W J	

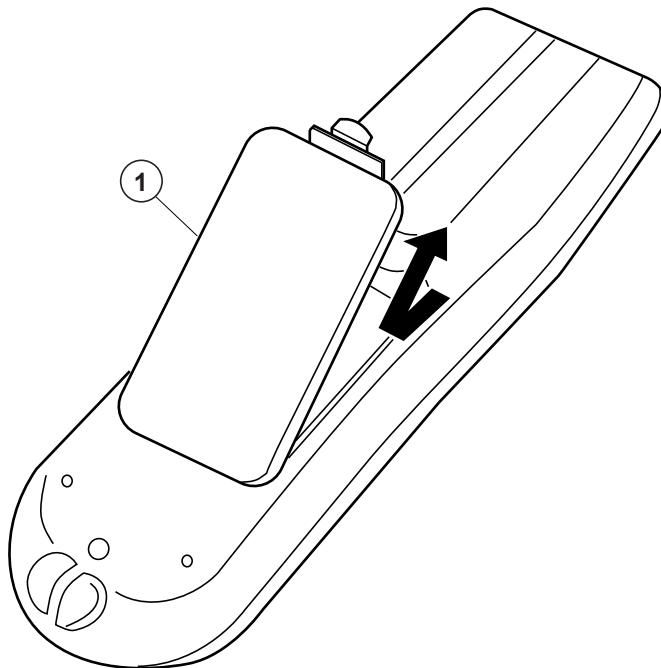
△Ref No.	Part No.	Part Name	Description	Local	△Ref No.	Part No.	Part Name	Description	Local
R1765	NRSA63J-471X	MG RESISTOR	470Ω 1/16W J		CF1131	QAX0639-001Z	C TRAP	4.500MHz	
R1766	NRSA63J-471X	MG RESISTOR	470Ω 1/16W J		CF1161	QAX0642-001Z	C FILTER	4.500MHz	
R1767	NRSA63J-471X	MG RESISTOR	470Ω 1/16W J		CN100C	QGA2501F1-06	CONNECTOR	W-B (1-6)	
R1768	NRSA63J-682X	MG RESISTOR	6.8kΩ 1/16W J		CN100S	QGA2501C5-04Z	CONNECTOR	W-B (1-4)	
R1769	NRSA63J-102X	MG RESISTOR	1kΩ 1/16W J		CN100T	CHGC05-480	CONNECTOR WIRE		
R1770	NRSA63J-103X	MG RESISTOR	10kΩ 1/16W J		CN100U	CHGC04-400	CONNECTOR ASSY		
R1771	NRSA63J-153X	MG RESISTOR	15kΩ 1/16W J		CN10B1	CH41169-R03Y	EH POST HEADER		
R1772	NRSA63J-103X	MG RESISTOR	10kΩ 1/16W J		CN10E1	CHGT0015-0B	CONNECTOR ASSY		
R1773	NRSA63J-103X	MG RESISTOR	10kΩ 1/16W J		CN10HV	QGZ5004C1-06	CONNECTOR	(1-6)	
R1774	NRSA63J-103X	MG RESISTOR	10kΩ 1/16W J		△CN1DEG	QGA7901C1-02	CONNECTOR	W-B (1-2)	
R1775	NRSA63J-103X	MG RESISTOR	10kΩ 1/16W J		CN1HHS	CH41169-R03Y	EH POST HEADER		
R1776	NRSA63J-101X	MG RESISTOR	100Ω 1/16W J		△F1901	QMF51N1-5R0-J5	FUSE	5A AC125V	
R1777	NRSA63J-101X	MG RESISTOR	100Ω 1/16W J		△FC1901	CEMG002-001Z	FUSE CLIP	(x2)	
R1778	NRSA63J-103X	MG RESISTOR	10kΩ 1/16W J		△H1002	LC30381-001A	HEAT SINK/FE-P/		
R1801	NRSA63J-680X	MG RESISTOR	68Ω 1/16W J		△H1602	CEHE014-001WU	HEAT SINK		
R1802	NRSA63J-750X	MG RESISTOR	75Ω 1/16W J		△HS1004	LC31696-001A	HEAT SINK/AL-F/		
R1803	NRSA63J-750X	MG RESISTOR	75Ω 1/16W J		△HS1009	LC31678-001A	HEAT SINK/AL-F/		
R1804	NRSA63J-750X	MG RESISTOR	75Ω 1/16W J		J1001	QNZ0454-001	AV JACK	S / V / L / R IN	
R1805	NRSA63J-101X	MG RESISTOR	100Ω 1/16W J		J1002	QNN0348-001	PIN JACK	L / R OUT	
R1821	NRSA63J-124X	MG RESISTOR	120kΩ 1/16W J		J1003	QNN0349-002	PIN JACK	V / L / R IN	
R1831	NRSA63J-750X	MG RESISTOR	75Ω 1/16W J		J1004	QNN0348-001	PIN JACK	L / R IN	
R1832	NRSA63J-750X	MG RESISTOR	75Ω 1/16W J		J1005	CEMN065-001	PIN JACK	V IN	
R1833	NRSA63J-750X	MG RESISTOR	75Ω 1/16W J		J1006	CEMN065-002	PIN JACK	L IN	
R1834	NRSA63J-101X	MG RESISTOR	100Ω 1/16W J		J1007	CEMN072-003	PIN JACK	R IN	
R1835	NRSA63J-101X	MG RESISTOR	100Ω 1/16W J		K1001	QQR0582-001Z	FERRITE BEADS		
R1836	NRSA63J-101X	MG RESISTOR	100Ω 1/16W J		K1101	QQR0582-001Z	FERRITE BEADS		
R1851	NRSA63J-101X	MG RESISTOR	100Ω 1/16W J		K1251	QQR0582-001Z	FERRITE BEADS		
R1852	NRSA63J-101X	MG RESISTOR	100Ω 1/16W J		K1253	QQR0582-001Z	FERRITE BEADS		
R1853	NRSA63J-101X	MG RESISTOR	100Ω 1/16W J		K1254	QQR0582-001Z	FERRITE BEADS		
R1854	NRSA63J-101X	MG RESISTOR	100Ω 1/16W J		K1401	QQR0582-001Z	FERRITE BEADS		
R1855	NRSA63J-153X	MG RESISTOR	15kΩ 1/16W J		K1701	QQR0582-001Z	FERRITE BEADS		
R1856	NRSA63J-101X	MG RESISTOR	100Ω 1/16W J		K1702	QQR0582-001Z	FERRITE BEADS		
R1857	NRSA63J-103X	MG RESISTOR	10kΩ 1/16W J		K1901	QQR0582-001Z	FERRITE BEADS		
R1858	NRSA63J-101X	MG RESISTOR	100Ω 1/16W J		K1902	QQR0582-001Z	FERRITE BEADS		
R1859	NRSA63J-101X	MG RESISTOR	100Ω 1/16W J		K1903	QQR0582-001Z	FERRITE BEADS		
R1860	NRSA63J-101X	MG RESISTOR	100Ω 1/16W J		K1904	QQR0582-001Z	FERRITE BEADS		
R1861	NRSA63J-101X	MG RESISTOR	100Ω 1/16W J		K1921	QQR0582-001Z	FERRITE BEADS		
R1862	NRSA63J-104X	MG RESISTOR	100kΩ 1/16W J		K1922	QQR0582-001Z	FERRITE BEADS		
R1863	NRSA63J-473X	MG RESISTOR	47kΩ 1/16W J		K1923	QQR0582-001Z	FERRITE BEADS		
△R1901	QRF074K-R47	UNF WWW RESISTOR	0.47Ω 7W K		△LF1901	QQR0527-003	LINE FILTER		
R1902	QRE121J-473Y	C RESISTOR	47kΩ 1/2W J		△RY1901	QSK0085-001	RELAY		
R1903	QRE121J-473Y	C RESISTOR	47kΩ 1/2W J		S1401	QSL4A13-C02	LEVER SWITCH	V. CENTER	
R1904	QRT029J-R22	MF RESISTOR	0.22Ω 2W J		S1751	QSW0619-003Z	TACT SWITCH	POWER	
R1905	QRT029J-R22	MF RESISTOR	0.22Ω 2W J		S1752	QSW0619-003Z	TACT SWITCH	VOL +	
R1906	QRE121J-2R2Y	C RESISTOR	2.2Ω 1/2W J		S1753	QSW0619-003Z	TACT SWITCH	VOL -	
R1907	QRE121J-472Y	C RESISTOR	4.7kΩ 1/2W J		S1754	QSW0619-003Z	TACT SWITCH	CH +	
R1908	QRK126J-681X	UNF C RESISTOR	680Ω 1/2W J		S1755	QSW0619-003Z	TACT SWITCH	CH-	
R1910	QRE121J-684Y	C RESISTOR	680kΩ 1/2W J		S1756	QSW0619-003Z	TACT SWITCH	MENU	
R1911	QRG01GJ-470	OMF RESISTOR	47Ω 1W J		SF1101	QAX0723-001	SAW FILTER		
R1922	NRSA63J-102X	MG RESISTOR	1kΩ 1/16W J		△SK1351	QNZ0536-001	CRT SOCKET		
R1923	NRSA63J-473X	MG RESISTOR	47kΩ 1/16W J		△TH1901	QAD0129-3R0	P THERMISTOR	3Ω	
R1924	QRX01GJ-1R0	MF RESISTOR	1Ω 1W J		△TU1001	QAU0275-002	TUNER		
R1925	QRX01GJ-1R0	MF RESISTOR	1Ω 1W J		△VA1901	ERZV10V621CS	ZNR		
R1926	QRT029J-1R2	MF RESISTOR	1.2Ω 2W J		W1001	NRSA63J-0R0X	MG RESISTOR	0Ω 1/16W J	
R1927	QRT029J-1R2	MF RESISTOR	1.2Ω 2W J		W1002	NRSA63J-0R0X	MG RESISTOR	0Ω 1/16W J	
R1928	QRE121J-272Y	C RESISTOR	2.7kΩ 1/2W J		W1412	NRSA63J-0R0X	MG RESISTOR	0Ω 1/16W J	
R1929	QRE121J-223Y	C RESISTOR	22kΩ 1/2W J		W1728	NRSA63J-0R0X	MG RESISTOR	0Ω 1/16W J	
R1930	QRE121J-473Y	C RESISTOR	47kΩ 1/2W J		W1729	NRSA63J-0R0X	MG RESISTOR	0Ω 1/16W J	
R1932	NRSA63J-123X	MG RESISTOR	12kΩ 1/16W J		W1801	NRSA63J-0R0X	MG RESISTOR	0Ω 1/16W J	
R1933	NRSA63J-123X	MG RESISTOR	12kΩ 1/16W J		W1802	NRSA63J-0R0X	MG RESISTOR	0Ω 1/16W J	
R1934	NRSA63J-273X	MG RESISTOR	27kΩ 1/16W J		W1815	NRSA63J-0R0X	MG RESISTOR	0Ω 1/16W J	
R1935	NRSA63J-333X	MG RESISTOR	33kΩ 1/16W J		W1836	NRSA63J-0R0X	MG RESISTOR	0Ω 1/16W J	
R1936	QRE121J-103Y	C RESISTOR	10kΩ 1/2W J		X1701	QAX0717-001Z	CRYSTAL	8.000MHz	
R1938	QRE121J-103Y	C RESISTOR	10kΩ 1/2W J		Y1251	NRSA63J-0R0X	MG RESISTOR	0Ω 1/16W J	
R1939	QRE121J-103Y	C RESISTOR	10kΩ 1/2W J		Y1501	NRSA63J-0R0X	MG RESISTOR	0Ω 1/16W J	
R1941	QRG029J-180	OMF RESISTOR	18Ω 2W J		Y1601	NRSA63J-0R0X	MG RESISTOR	0Ω 1/16W J	
R1942	QRE121J-5R6Y	C RESISTOR	5.6Ω 1/2W J		Y1602	NRSA63J-0R0X	MG RESISTOR	0Ω 1/16W J	
R1943	QRE121J-820Y	C RESISTOR	82Ω 1/2W J		Y1605	NRSA63J-0R0X	MG RESISTOR	0Ω 1/16W J	
△R1991	QRZ9041-275	C RESISTOR	2.7MΩ 1/2W K		Y1854	NRSA63J-0R0X	MG RESISTOR	0Ω 1/16W J	
L1101	QQLZ014-R39	COIL	0.39uH 100mA L						
L1131	QQL244K-220Z	COIL	22uH K						
L1161	QQL244K-220Z	COIL	22uH K						
L1232	QQL244K-560Z	COIL	56uH K						
L1251	QQL244K-4R7Z	COIL	4.7uH K						
L1281	QQL244K-150Z	COIL	15uH K						
L1291	QQL244K-150Z	COIL	15uH K						
L1341	QQL03BJ-390Z	P COIL	39uH J						
L1521	QQR1027-004	LINEARITY COIL							
L1921	QQL26AK-470Z	COIL	47uH K						
L1922	QQL26AK-470Z	COIL	47uH K						
T1111	QQR0907-001	IFT							
T1501	CE42034-002	HOR DRIVE TRANS							
△T1901	QQT0355-001	POWER TRANSF							
△T1921	QQS0158-001	SW TRANSF							
CF1001	QAX0349-001	C TRAP							

[AV-27D104 / AV-27D304 / AV-27432] REMOTE CONTROL UNIT PARTS LIST (RM-C1253G-1H / RM-C1255G-1H)



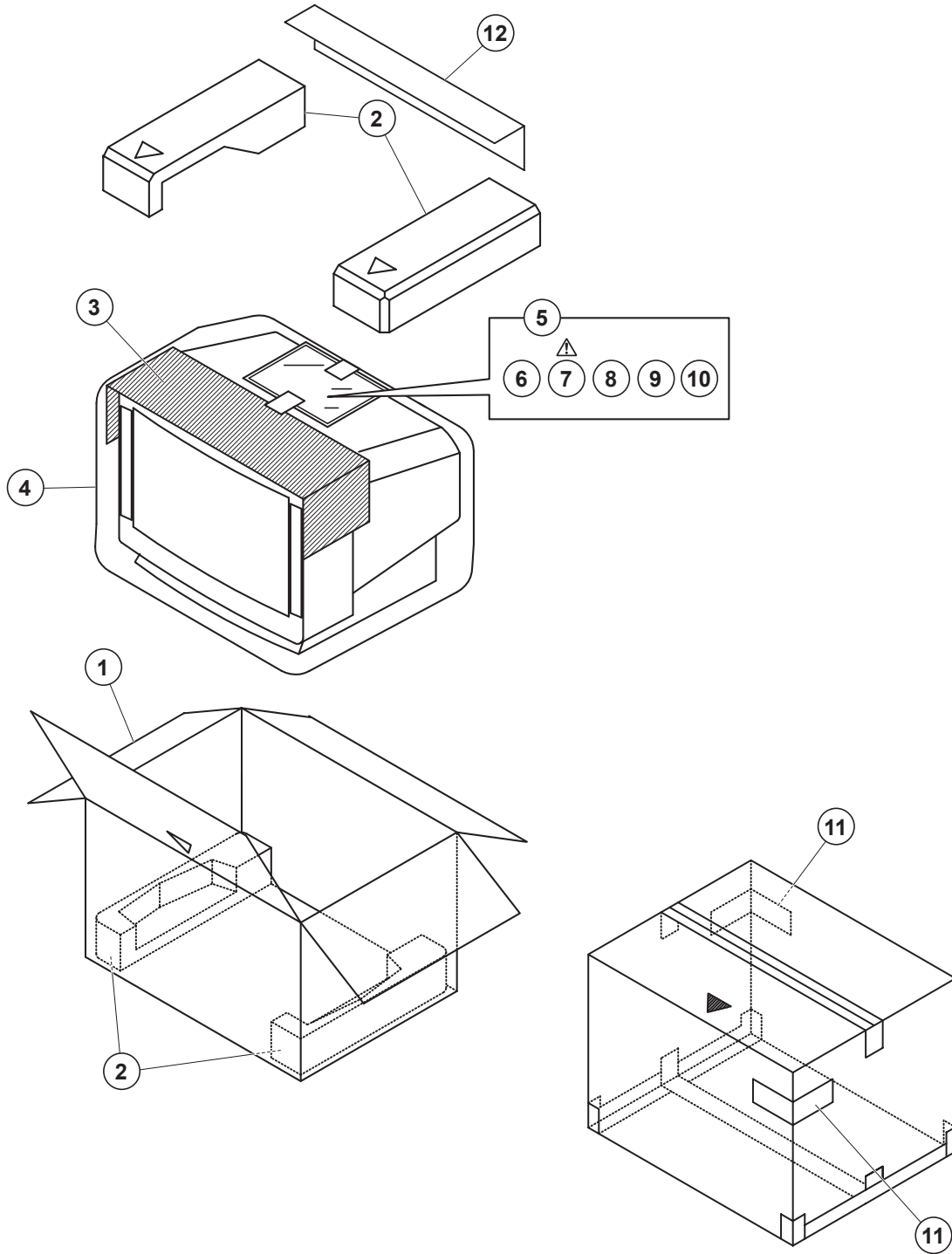
△ Ref.No.	Part No.	Part Name	Description	Local
1	UR77EC0603	BATTERY COVER		

[AV-27430] REMOTE CONTROL UNIT PARTS LIST (RM-C203-1C)



△ Ref.No.	Part No.	Part Name	Description	Local
1	LP40991-001C	BATTERY COVER		

PACKING



PACKING PARTS LIST

[AV-27D104/RA, AV-27D104/SA]

△ Ref.No.	Part No.	Part Name	Description	Local
1	GQ10009-007C-A	PACKING CASE		
2	GQ10019-001B-A	CUSHION ASSY	4pcs in 1set	
3	CP30055-001-A	TOP COVER		
4	CP30056-008-A	POLY BAG		
5	QPA02503505	POLY BAG	25cm x 35cm	
6	RM-C1255G-1H	REMOCON UNIT		
△ 7	LCT1319-001A-A	INST BOOK		
8	BT-52006-1Q	WARRANTY CARD		
9	BT-51028-2Q	REGISTER CARD		
10	-----	BATTERY	(x2)	
11	CM36616-001-A	CORNER LABEL	2pcs in 1set	
12	GQ30043-005A-A	TOP PAD		

[AV-27D304/RA, AV-27D304/SA]

△ Ref.No.	Part No.	Part Name	Description	Local
1	GQ10009-007C-A	PACKING CASE		
2	GQ10019-001B-A	CUSHION ASSY	4pcs in 1set	
3	CP30055-001-A	TOP COVER		
4	CP30056-008-A	POLY BAG		
5	QPA02503505	POLY BAG	25cm x 35cm	
6	RM-C1253G-1H	REMOCON UNIT		
△ 7	LCT1319-001A-A	INST BOOK		
8	BT-52006-1Q	WARRANTY CARD		
9	BT-51028-2Q	REGISTER CARD		
10	-----	BATTERY	(x2)	
11	CM36616-001-A	CORNER LABEL	2pcs in 1set	
12	GQ30043-005A-A	TOP PAD		

[AV-27430/RA, AV-27430/SA]

△ Ref.No.	Part No.	Part Name	Description	Local
1	CP11499-C15-A	PACKING CASE		
2	LC10083-002B-A	CUSHION ASSY	4pcs in 1set	
3	CP30055-001-A	TOP COVER		
4	CP30056-008-A	POLY BAG		
5	QPA02503505	POLY BAG	25cm x 35cm	
6	RM-C203-1C	REMOCON UNIT		
△ 7	LCT1319-001A-A	INST BOOK		
8	BT-52006-1Q	WARRANTY CARD		
9	BT-51028-2Q	REGISTER CARD		
10	-----	BATTERY	(x2)	
11	CM36616-001-A	CORNER LABEL	2pcs in 1set	
12	GQ30043-004A-A	TOP PAD		

[AV-27432/RA, AV-27432/SA]

△ Ref.No.	Part No.	Part Name	Description	Local
1	CP11499-C15-A	PACKING CASE		
2	LC10083-002B-A	CUSHION ASSY	4pcs in 1set	
3	CP30055-001-A	TOP COVER		
4	CP30056-008-A	POLY BAG		
5	QPA02503505	POLY BAG	25cm x 35cm	
6	RM-C1255G-1H	REMOCON UNIT		
△ 7	LCT1319-001A-A	INST BOOK		
8	BT-52006-2Q	WARRANTY CARD		
9	BT-51028-2Q	REGISTER CARD		
10	-----	BATTERY	(x2)	
11	CM36616-001-A	CORNER LABEL	2pcs in 1set	
12	GQ30043-004A-A	TOP PAD		